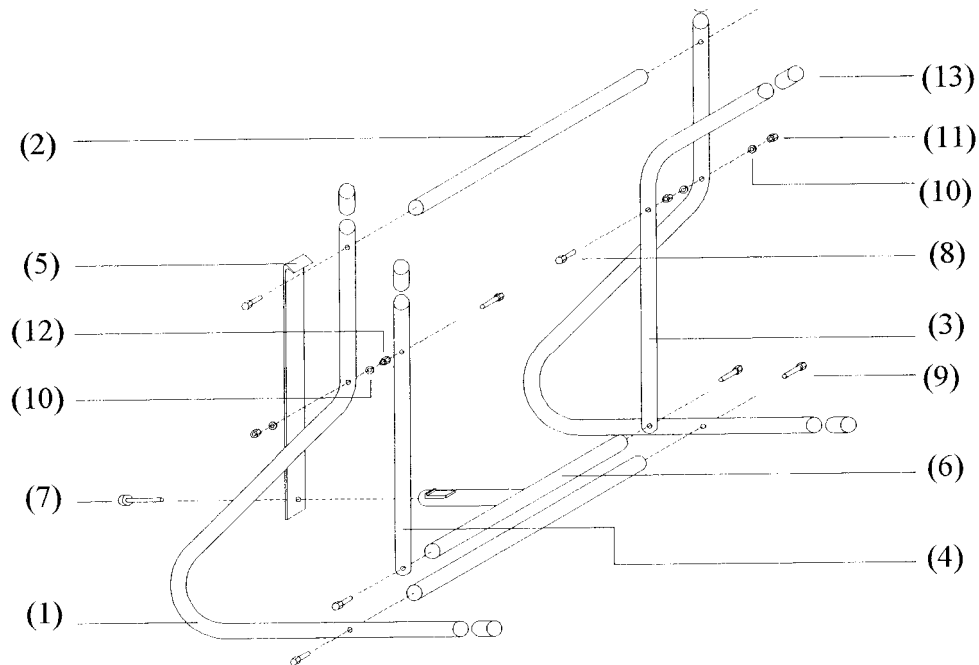


### PAIL TIPPER – 78030

The Keysco Tools pail tipper is designed to hold a standard 5-gallon pail. The pail tipper safely secures the pail while dispensing fluid to another container. Use only approved containers for holding fluids.



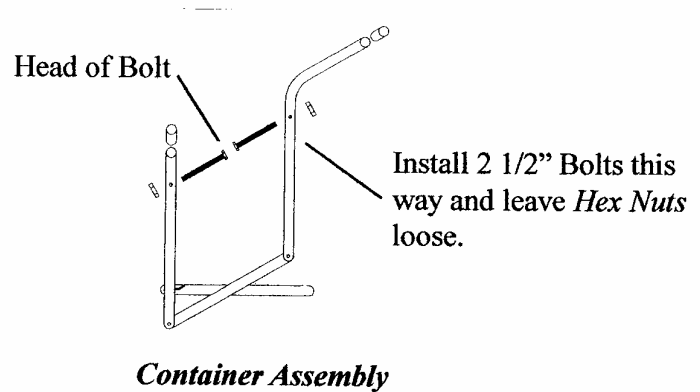
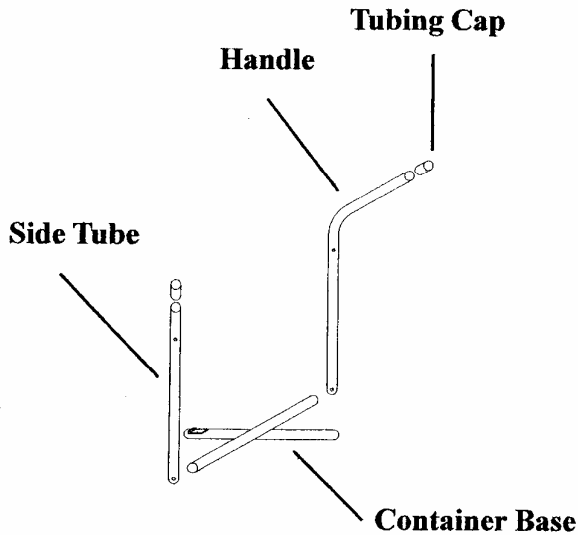
**DO NOT TIGHTEN HARDWARE UNTIL ALL PARTS ARE INSTALLED**

**NOTE:** Lock nuts can be identified by a small square logo punched in side of the nut.

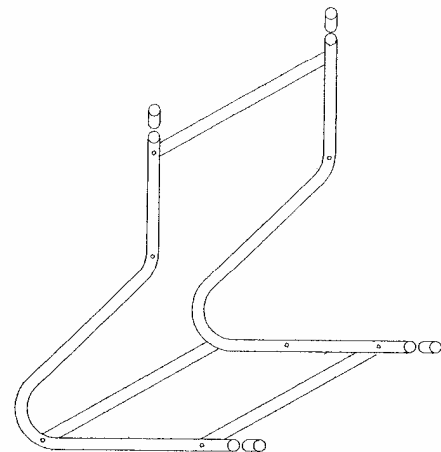
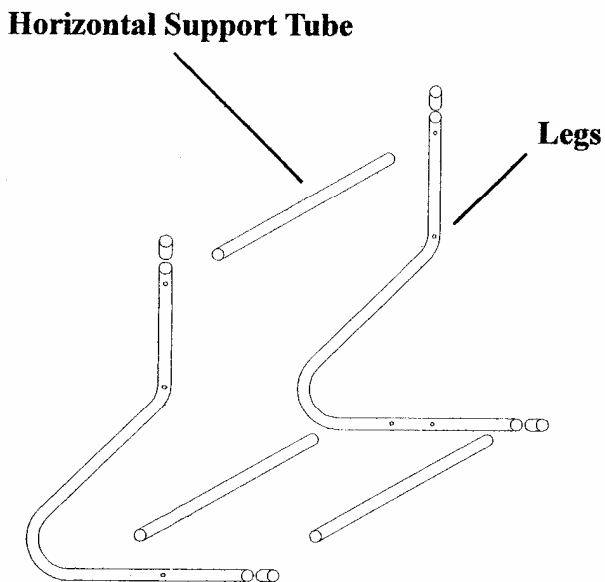
Key #	Part #	Description	Qty.
1	11974	Leg	2
2	11975	Horizontal support tube	3
3	11978	Handle	1
4	11979	Side tube	1
5	11980	Back strap	2
6	11984	Container base tube assembly	1
7	10678	1/4-20 x 2" Knob	2
8	11983	1/4-20 x 2-1/2" Bolt (full thread)	2
9	10675	1/4-20 x 2" Bolt	6
10	10218	1/4" USS washer	4
11	10178	1/4-20 Center lock nut	2
12	10201	1/4-20 Hex nut	2
13	10688	Tubing cap (round)	6

### ASSEMBLY INSTRUCTIONS

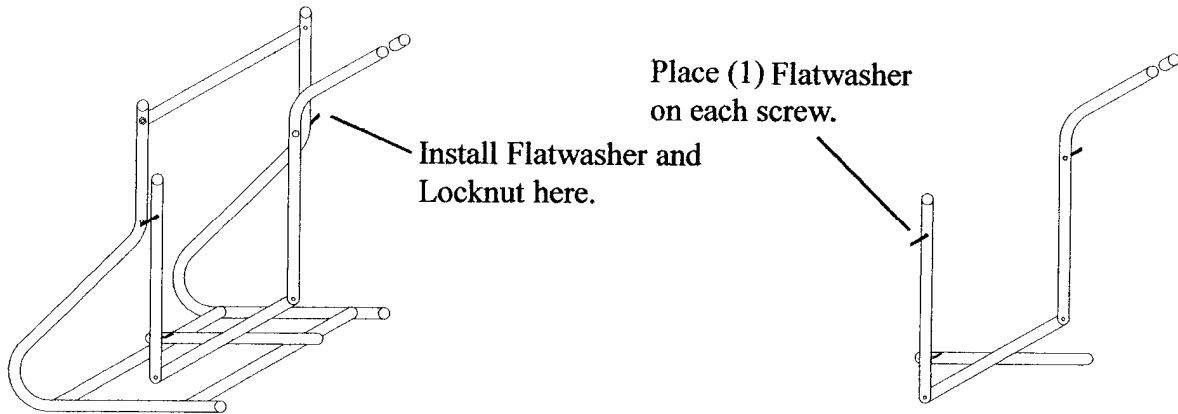
- 1. Assemble container assembly.** Assemble handle and side tube to the container base using 2" bolts. Install tubing caps as shown. Install one 2-1/2" bolt in side tube and one in handle with the head of the bolt facing inside the assembly. Attach hex nut but leave loose. (See below.)



- 2. Assemble frame.** Assemble horizontal support tubes to legs using six 2" bolts. Install tubing caps on tube ends.



3. **Assemble Container Assembly to frame.** Place flat washer on screw before installing to frame. See diagram, using flat washers and lock nuts. Tighten lock nuts so container assembly is snug but still rotates freely.



4. **Load pail in unit.** Place pail into unit with spout facing as shown. Hook one strap on front rim of pail and one strap on rear rim of pail. Secure straps with knobs into the container base. Tighten securely. Use only approved containers for holding fluids.

