

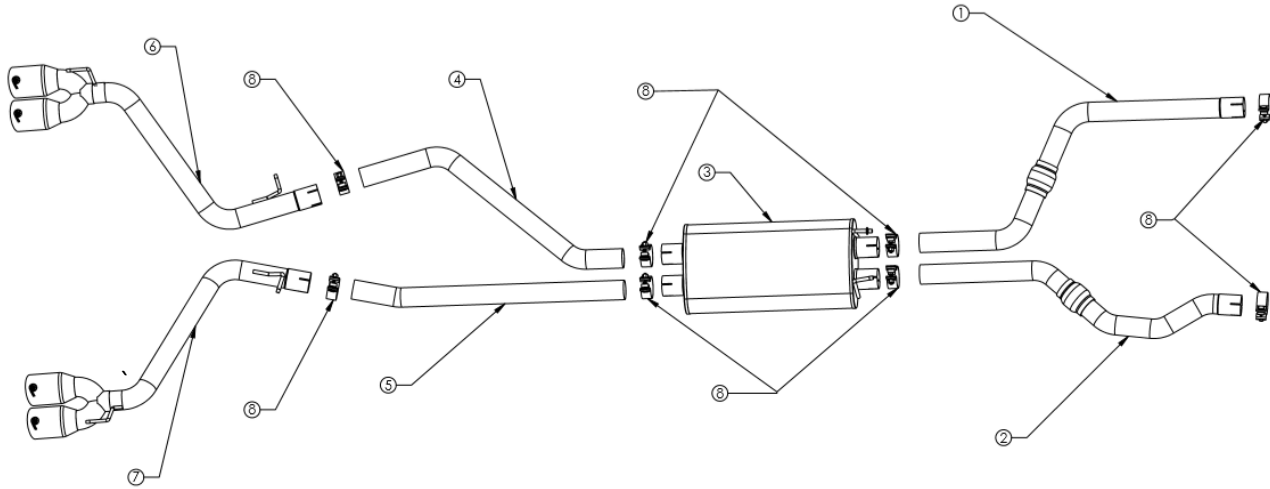


INSTALLATION INSTRUCTIONS

Cat-Back Exhaust

MAKE: Ford
 MODEL: Explorer ST
 YEAR: 2020-2022
 ENGINE: V6-3.0L

49-33139-B
 49-33139-P



Item	Description	Part Number	Quantity
1	Driver Side Front Pipe	05-245252	1
2	Passenger Side Front Pipe	05-245253	1
3	Muffler Assembly	05-245262B	1
4	Driver Side Mid Pipe	05-245254	1
5	Passenger Side Mid Pipe	05-245255	1
6	Driver Side Tail Pipe Pol	05-245256P	1
6	Driver Side Tail Pipe Blk	05-245256B	1
7	Passenger Side Tail Pipe	05-245257P	1
7	Passenger Side Tail Pipe	05-245257B	1
8	2-1/2" Band Clamp	05-41061	8

aFe POWER recommends professional installation on this product. Thoroughly inspect the aFe POWER exhaust system to make sure there is no damage from shipping (if damage is noted, immediately contact aFe POWER customer service). Allow time for your vehicle to cool down prior to installation. When working on your vehicle proceed with caution. Wear protective safety equipment; eye goggles and gloves to ensure a safe installation.

Install band clamps to proper torque specifications of 40-45 ft-lb.





INSTALLATION INSTRUCTIONS

MAKE: Ford
MODEL: Explorer ST
YEAR: 2020-2022
ENGINE: V6-3.0L

Cat-Back Exhaust

49-33139-B

49-33139-P

1. **(Read instructions prior to installation.)** It is recommended to not fully tighten the exhaust until it has been fully installed. Leave loose for adjustability.
2. Secure vehicle on jack stands (refer to your manual for specified jack stand positions).
3. For faster installation, spread out the parts of the exhaust alongside your vehicle as shown in the diagram above.
4. Secure the stock exhaust with jack/stands.
5. Loosen the clamps at the front of the O.E. exhaust and remove the O.E. bolts from the rear hanger brackets. Remove O.E. exhaust hangers from isolation mounts.
6. Remove O.E. rear hanger brackets and isolators from the O.E. exhaust, **keep track of passenger/driver side hanger bracket as they will be re-installed in the same position.**
7. Install Driver & Passenger Side Front pipe to catalytic converter outlet pipes using the provided 2-1/2" band clamp.
8. Using the provided 2-1/2" band clamps install the Muffler Assembly and slide hangers into the rubber insulation mounts.
9. Using the provided 2-1/2" band clamps install Driver & Passenger Side Mid Pipes.
10. Install O.E. rear hanger brackets and isolators onto Driver & Passenger Side Tail Pipe. Once hanger brackets are attached, install Driver & Passenger Side Tail Pipe using the provided 2-1/2" band clamps align tips with rear valance and tighten the O.E. bolt on the rear hanger brackets.
11. Ensure that all the components of the aFe POWER exhaust system are aligned and are at a safe clearance from all wires, hoses, brake lines, body parts, and tires.
12. Start from the front of the aFe POWER exhaust system and evenly tighten all clamps and fasteners.
13. Start the vehicle and check for any leaks. If any leaks are found, determine cause and repair as necessary.
14. Remove vehicle from jacks stands.
15. It is recommended to re-tighten all clamps and hardware after 50-100 miles.