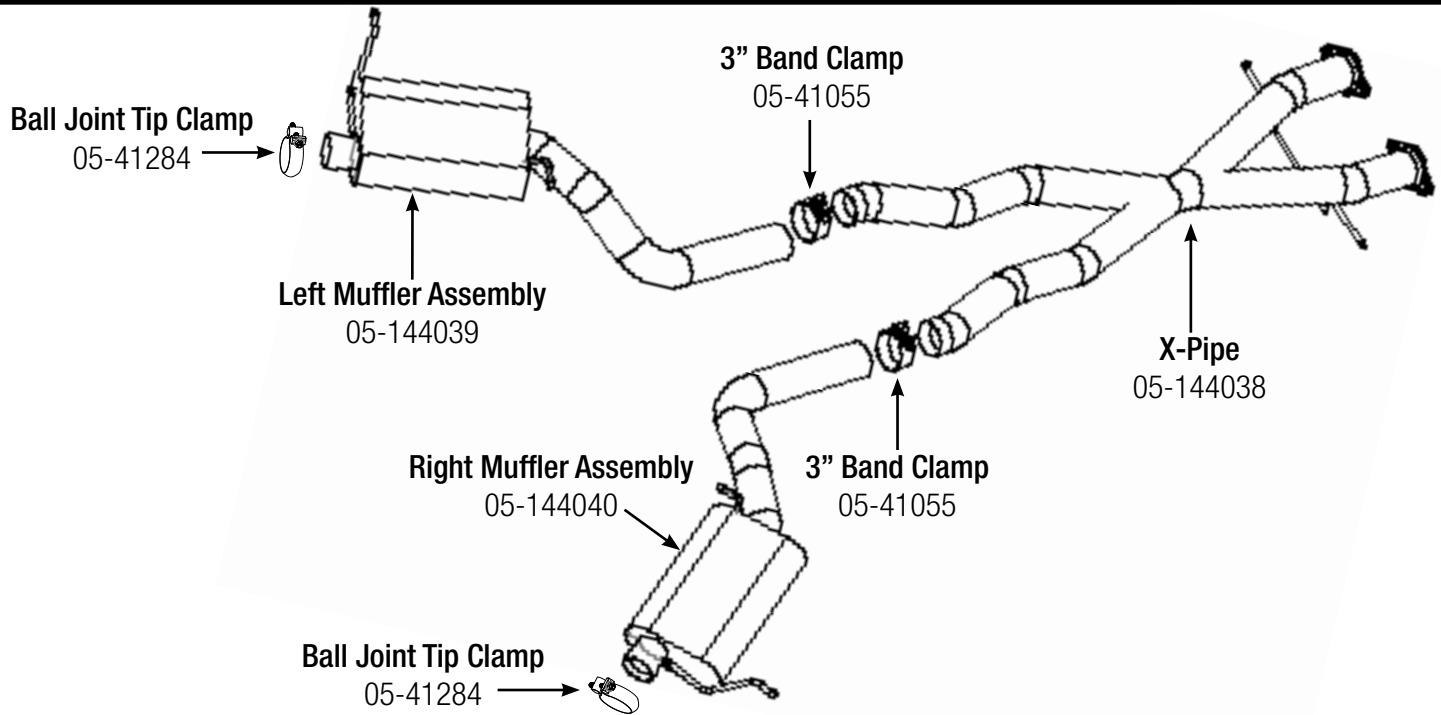




INSTALLATION INSTRUCTIONS

MAKE: Jeep
MODEL: Grand Cherokee SRT-8/SRT (WK2)
YEAR: 2012-2017
ENGINE: V8-6.4L HEMI

3" Cat-Back Exhaust 49-48053 (No Tips)



Professional installation is highly recommended. (Read instructions prior to installation) This system requires an aftermarket electronic module To, work properly with the vehicle. **Make sure to always have at least (2) stands or jacks on hand to support the removal of OE system. As, well as for the installation of aFe system. Any Removal of rubber isolation mounts may require using a spray lubricant such as WD40 and a pry bar.**

- Step 1:** (Read instructions prior to installation). Secure vehicle on jack stands (refer to your manual for specified jack stand positions).
- Step 2:** Disconnect the factory ground strap from the muffler hanger in the rear of the factory exhaust.
- Step 3:** Remove the flange bolts from the OE Y-Pipe to the Cat-Back OE exhaust system.
- Step 4:** Un-hook the OE Cat-back exhaust from the factory hangers. (Use WD-40 or similar to help the hangers slide out of the factory grommets).
- Step 5:** Install the aFe Cat-Back Exhaust by transferring the OE Mid-Pipe mounts to the aFe Mid X-Pipe.
- Step 6:** Install the aFe Mid-Pipe reusing the factory flange spring nuts and using the aFe Hardware that was provided in the kit.
- Step 7:** Slide the 3" band clamp on the aFe Right muffler Assembly. (Do not tighten at this time)
- Step 8:** Install the aFe Right Muffler Assembly into the aFe Mid X-Pipe. (Makes sure to install the ground strap onto the hanger)
- Step 9:** Slide the 3" band clamp on the aFe Left muffler Assembly. (Do not tighten at this time)
- Step 10:** Install the aFe Left Muffler Assembly into the aFe Mid X-Pipe.
- Step 11:** Transfer the OE Factory Tips onto the aFe Right Muffler Assembly using the provided ball joint band clamp.
- Step 12:** Position and adjust the Factory tip after transferring and then tighten all clamps.
- Step 13:** Recheck all work done for tightness.
- Step 14:** Remove vehicle from jack stands.
- Step 15:** Your installation is now complete. It is recommended to retighten all exhaust components after the first 50-100 miles.

NOTES:

- aFe recommends that the tailpipe be at least 1/2"-1" away from any body panels to avoid heat related body damage. **Tighten and secure.**
- It is normal for the aFe Power Cat-back exhaust to emit smoke for the first few minutes upon initial start-up.

Caution: Allow time for your vehicle to cool down prior to installation. When working on or under your vehicle proceed with caution. Exhaust systems reach high temperatures and may cause serious burns. Wear protective safety equipment; eye goggles and gloves to ensure a safe installation. **aFe recommends professional installation on our products.**