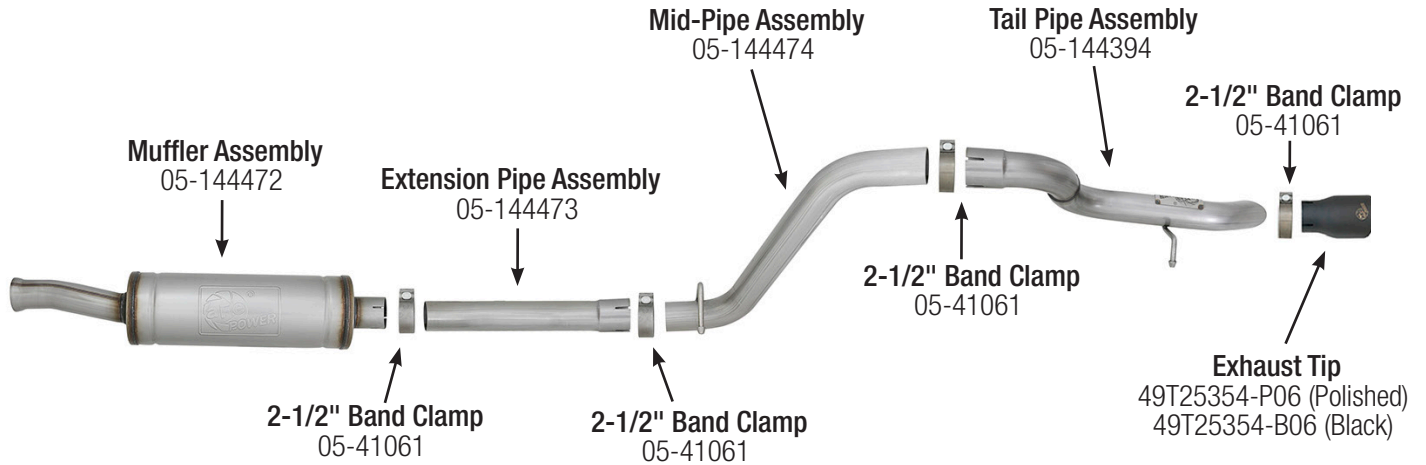




INSTALLATION INSTRUCTIONS

MAKE: Jeep
MODEL: Wrangler (JL)
YEAR: 2018
ENGINE: V6-3.6L (2/4DR)

Cat-Back Exhaust
49-48075-P (Polished)
49-48075-B (Black)
49-48075 (Hi-Tuck)



Caution: aFe recommends professional installation on our products. Allow time for your vehicle to cool down prior to installation. When working on or under your vehicle proceed with caution. Exhaust systems reach high temperatures and may cause serious burns. Wear protective safety equipment; eye goggles and gloves to ensure a safe installation.

- Step 1:** (Read instructions prior to installation). It may be helpful to lubricate all the factory isolation rubber mounts, before taking off stock exhaust and also before installing aFe exhaust. Always use a jack or stand for support when installing or uninstalling any exhaust system.
- Step 2:** Begin by removing your stock exhaust from the rear of your truck working your way forward. Remove the factory muffler assembly and mid-pipe/resonator. Take caution not to damage the factory isolation mounts as they will be reused.
NOTE: It may be easier to unbolt the muffler hanger brackets from the frame than to disconnect the factory isolation mounts.
- Step 3:** Remove the factory ball clamp from the mid-pipe/resonator.
- Step 4:** For faster installation spread the pieces of the exhaust alongside of your vehicle, according to the diagram shown. It is recommended to not fully tighten any of the clamps until the entire system has been fully installed.
- Step 5:** Place the factory ball clamp removed in **Step 3** onto the muffler assembly.
- Step 6:** Install the muffler assembly onto the factory y-pipe and loosely tighten the factory ball clamp.
- Step 7:** Place a 2-1/2" band clamp over the rear side of muffler assembly. Slide the mid-pipe into muffler and slip the hanger into rubber isolation mounts
NOTE: For 4 door applications use provided extension pipe first.
NOTE: If the factory muffler hanger brackets were removed from the frames at **Step 2** then reinstall the drivers-side, and passenger side hanger bracket and isolators before **Step 8**.
- Step 8:** Place a 2-1/2" band clamp over the rear side of the mid-pipe. Slide the rear muffler assembly into the mid-pipe and slip the hangers into the rubber isolation mounts.
- Step 9:** For 49-48075-B and 49-48075-P, install the exhaust tips onto the tail pipe.
- Step 10:** Straighten all exhaust components and begin to tighten down all clamps beginning at the front and ending at the **rear**.
- Step 11:** Double check all work and ensure everything is tight. Congratulations, your system is now complete and full.
- Step 12:** It is recommended to re-tighten all clamps and bolts after 50-100 miles.