



# MODEL 8890 - WASTE OIL DRAIN

1

UPDATED 9-05

| PART         |                        | KIT INCLUDES |                         |
|--------------|------------------------|--------------|-------------------------|
| ORDER NUMBER | KIT DESCRIPTION        | REF. #       | DESCRIPTION             |
| 8890K02      | DRAIN TUBE<br>ASSEMBLY | 2            | TUBE                    |
|              |                        | 3            | LOCKNUT                 |
|              |                        | 4            | O-RING                  |
|              |                        | 5            | CONNECTING SEAT         |
|              |                        | 6            | LOCKSCREW               |
|              |                        | 7            | HANDWHEEL               |
|              |                        | 9            | BALL VALVE              |
|              |                        | 10           | O-RING                  |
|              |                        | 36           | COMPRESSED SPRING       |
|              |                        | 37           | FASTENING NUT           |
|              |                        | 39           | ROTATIONAL FIXING COVER |
|              |                        | 40           | O-RING                  |
|              |                        | 41           | INNER HEXAGONAL SCREW   |
| 42           | ROTATIONAL COVER       |              |                         |
| 8890K08      | BOWL<br>ADAPTER        | 8            | FUNNEL                  |
|              |                        | 38           | FILTER TRAY             |
| 8890K18      | DISCHARGE<br>HOSE      | 13           | LINK                    |
|              |                        | 14           | CHAIN                   |
|              |                        | 15           | PAN HEAD SCREW          |
|              |                        | 16           | STUFF                   |
|              |                        | 17           | O-RING                  |
|              |                        | 18           | DISCHARGING HOSE        |
| 8890K19      | DRAIN VALVE            | 19           | BALL VALVE              |
| 8890K23      | CASTER (PAIR)          | 21           | NUT                     |
|              |                        | 22           | WASHER                  |
|              |                        | 23           | WHEEL                   |
| 8890K26      | SAFTEY<br>VALVE        | 26           | SAFTEY VALVE            |
|              |                        | 27           | AIR ADAPTOR             |
|              |                        | 28           | Y-ELBOW ADAPTER         |
| 8890K27A     | REGULATOR              | 27A          | PRESSURE REGULATOR      |
| 8890K29      | OIL LEVEL<br>GAUGE     | 29           | TUBE WITH LABEL         |
|              |                        | 30           | SQUARE ELBOW            |
|              |                        | 31           | SCREW                   |
| 8890K32      | WHEEL (PAIR)           | 32           | WHEEL                   |
|              |                        | 33           | RETAINING RING          |
|              |                        | 34           | WASHER                  |
| 8890K38      | STRAINER               | 38           | FILTER TRAY             |
| 8890K39      | BOWL<br>ADAPTER        | 39           | ROTATIONAL FIXING COVER |
|              |                        | 40           | O-RING                  |
|              |                        | 41           | INNER HEXAGONAL SCREW   |
|              |                        | 42           | ROTATIONAL COVER        |
| 8890K43      | FUNNEL EXT.            | 43           | EXTENSION FUNNEL        |

**DO NOT COPY OR DISTRIBUTE THIS MATERIAL WITHOUT PERMISSION OF AFF, INC.**



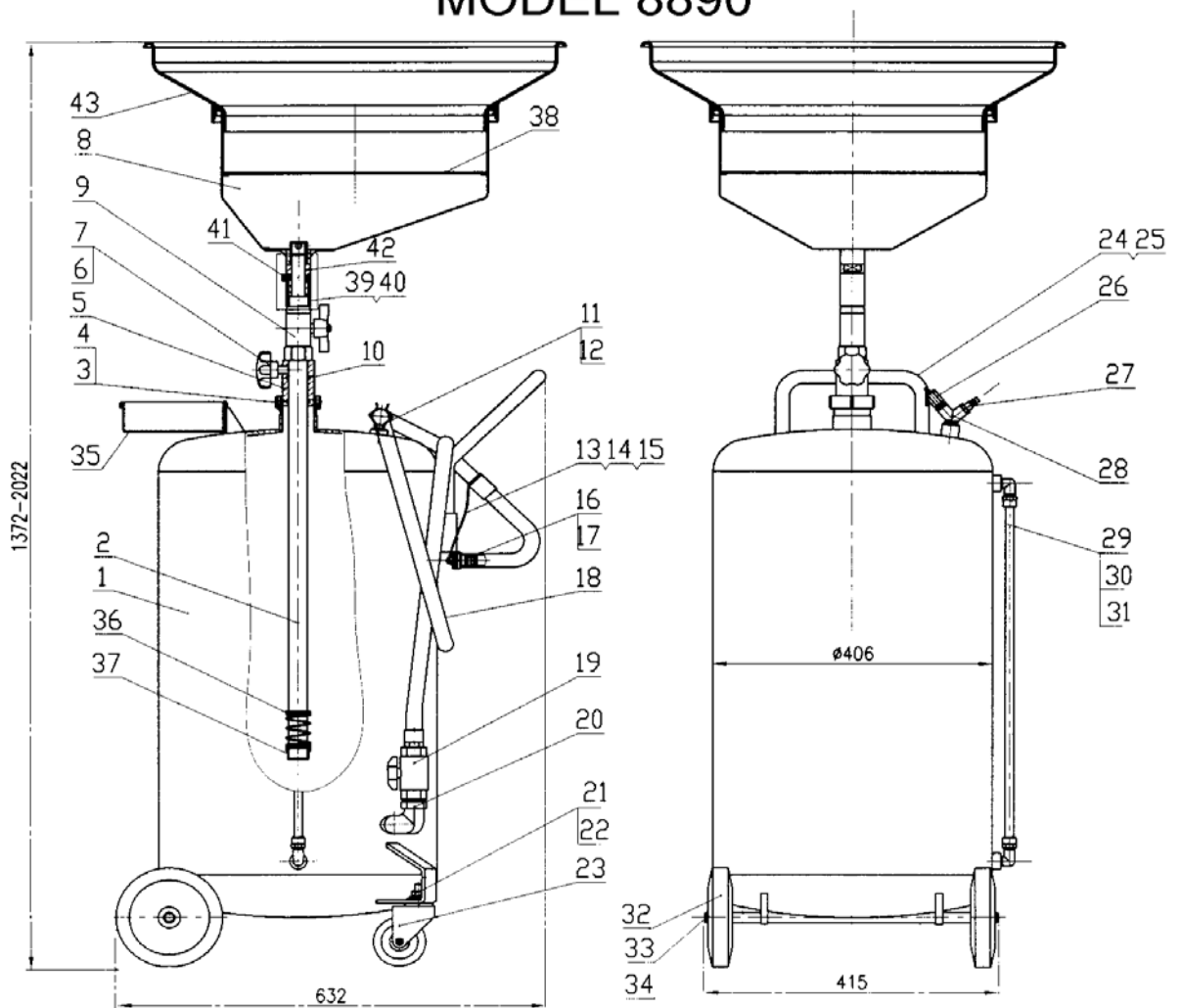
# MODEL 8890 - WASTE OIL DRAIN

2

UPDATED 9-05

| PART          |                 | KIT INCLUDES |                          |
|---------------|-----------------|--------------|--------------------------|
| ORDER NUMBER  | KIT DESCRIPTION | REF. #       | DESCRIPTION              |
| 8090KRK       | REPAIR KIT      | 4            | O-RING                   |
|               |                 | 10           | O-RING                   |
|               |                 | 17           | O-RING                   |
|               |                 | 40           | O-RING                   |
| NOT AVAILABLE |                 | 1            | RESERVOIR 90L            |
| NOT AVAILABLE |                 | 11           | SET OF SCREWS            |
| NOT AVAILABLE |                 | 12           | DRAIN HOSE STORAGE CLIP  |
| NOT AVAILABLE |                 | 20           | DOUBLE END ADAPTER       |
| NOT AVAILABLE |                 | 24           | HANDLE                   |
| NOT AVAILABLE |                 | 25           | SCREW WITH CHAMFERED END |
| NOT AVAILABLE |                 | 35           | TOOL TRAY                |

## MODEL 8890



**\* ONLY PARTS WITH A "PART ORDER NUMBER" ARE AVAILABLE FOR SALE.  
DO NOT COPY OR DISTRIBUTE THIS MATERIAL WITHOUT PERMISSION OF AFF, INC.**