











Catalog



**ALLIGATOR Ventilfabrik**

A COMPANY OF THE **STIEFF**-GROUP

# C O N T E N T S

Two-wheelers	8 – 15	
Valve caps	17	
Valve extension caps	18	
Valve cores	19	
Valves for passenger cars	22 – 24	
Valves for passenger cars – TPMS	25 – 27	
Valves for passenger cars	28 – 31	
Rim valves for tubeless tyres of commercial vehicles	33 – 41	
Inner tube valves “D” with screw-on base 8V1-1	42 – 43	
Rubber base & accessories	45	
Valve extensions, rigid	46 – 47	
Valve extensions, rigid, plastic version (POM)	48 – 49	
Valve extensions, highly flexible	50 – 51	
Valve extensions, flexible	52 – 53	
Holders for flexible valve extensions	54	
Air/water tyre valves/inner tube valves for agricultural equipment	56 – 57	
Air/water tyre inflating equipment	58 – 59	
Large bore swivel valve top, rotary	62 – 63	
Large bore valve bases	64 – 65	
Large bore valve extensions	66 – 67	
Large bore valve cores and caps	68	
Clamp-in valves	69	
Large bore tyre valve accessories	72	
Valve repair tools	73 – 75	
Tyre filling hose assemblies for commercial vehicles	78 – 79	
Tyre inflating clip-on connectors	80 – 89	
Numerical index	92 – 99	

## Valve Technology – a sector that has been growing in importance since air was first pumped into tyres.

As a leading manufacturer of valves, ALLIGATOR continues to meet the challenge presented by the ever increasing demands on tyre valves by offering the highest degree of quality and safety.

ALLIGATOR guarantees this high quality through

- Continual Development
- Intensive and on-going Research
- Know-how based on many years experience and
- Strict quality control of material and manufacturing.

Although the principle of the tyre valve has been known for a considerable time, its functional capabilities are still not completely exhausted. That is why user-friendly innovations are ALLIGATOR's daily concern. We and the user both profit from this. The end-product of such developments, quality engineered and economically produced, is equal to the increasing demands for reliability and safety in use.

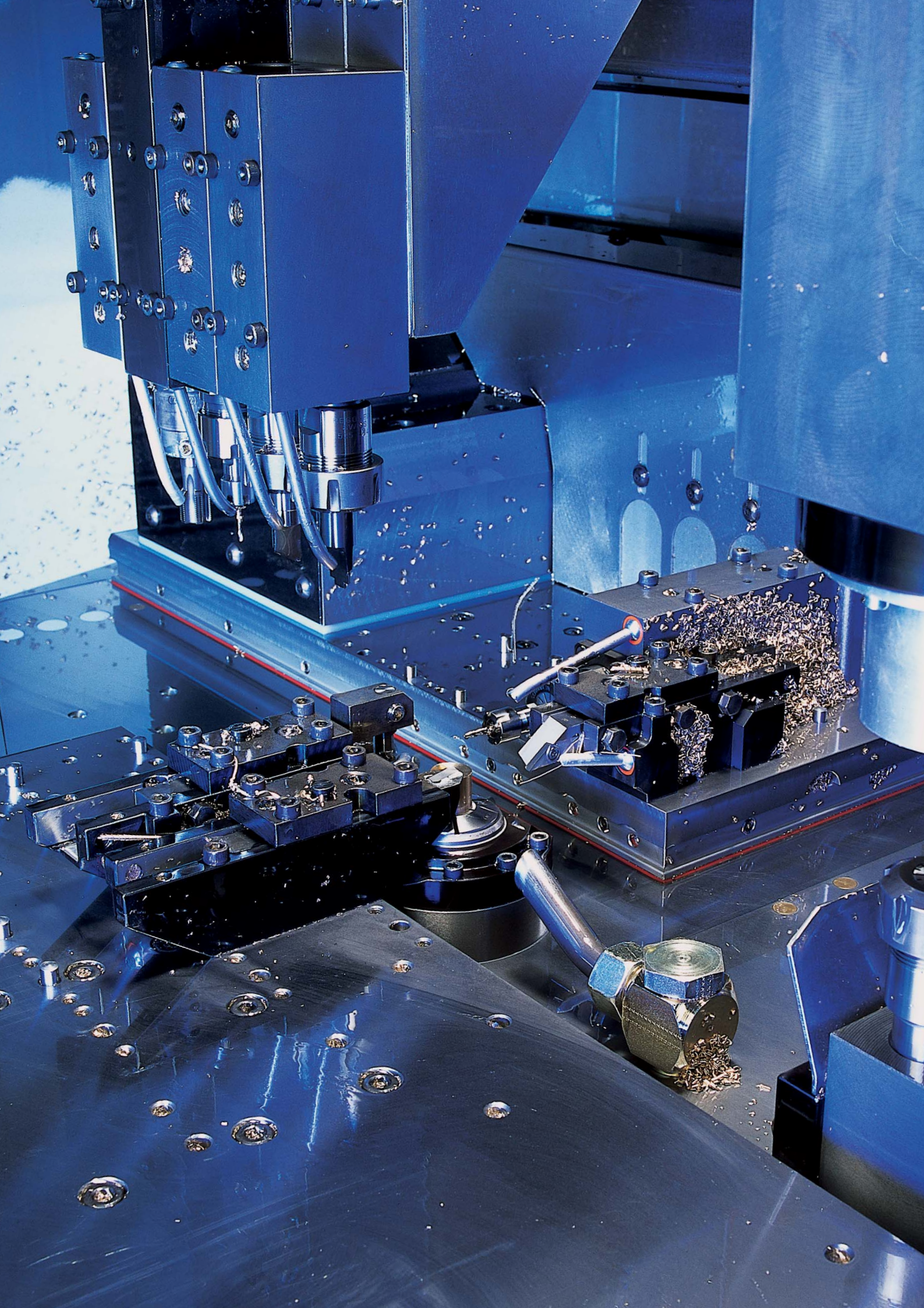
That is why ALLIGATOR can offer you and the user a reliable partnership.

Produced in millions, our products, are categorised as safety parts and supplied as original equipment to the car and truck industry. The range of products extend to earth-moving vehicles, mining industry, logging equipment, road graders and mobile cranes.

The continual exchange of ideas and experience has led to an innovative partnership between ALLIGATOR and its customers that is based on mutual trust.

### **ALLIGATOR quality for a variety of uses:**

- Tyre valves for two-wheelers
- Tyre valves for industrial vehicles
- Tyre valves for passenger cars
- Tyre valves for commercial vehicles
- Tyre valves for tractors and agricultural vehicles
- Tyre valves for earth-moving equipment
- Valves for other uses
- Tyre valves for accessories
- Tyre inflating equipment
- Tyre valves tools





## The original express valve Simply unique!

is the progressive and reliable non-return valve core for each common bicycle valve. (DUNLOP / WOODS)

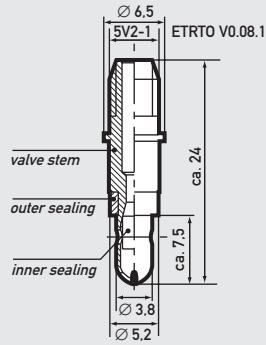
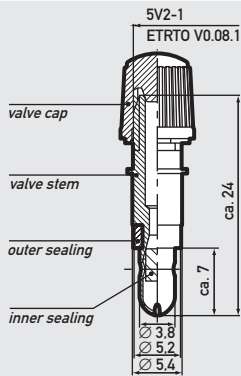
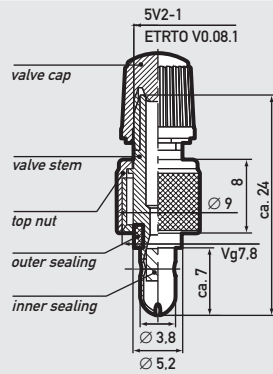
The express valve without spring reacts reliably even to hand pumps and make inflating a tire to a child's play for everybody.

Compared to the outdated valve cones with rubber hose, the price for the **original express valve** is slightly higher; but this is compensated by the fact, that the rubber valve tubes are no longer required and therefore the following costs are saved:

- material costs for the rubber valve tube
- labour costs for cutting the tube into length
- costs for mounting the cut valve tube onto the valve cone
- inspection costs for ready-made valve cones

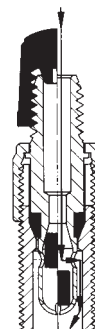
The **original express valve** is delivered ready for mounting and the ALLIGATOR Company guarantees its perfect functioning.

Millions of cyclists all over the world prefer this ingenious unbreakable valve and air tubes that are equipped with them.


**11.0000**

**11.0001**

**11.0201**


Nr.	Description	Pack
<b>11.0000*</b>	Express valve inside	2.500
<b>11.0001*</b>	Express valve	1.000
<b>11.0002*</b>	Express valve	5 x 25
<b>11.0004</b>	Express valve	2.500
<b>11.0201*</b>	Express valve	2.500

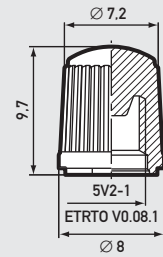
\* Nickel-plated brass

 Blitzventil  
Express valve

 Blitzventil  
Express valve

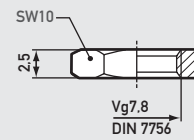


Two-wheelers

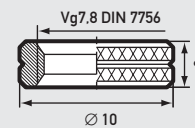
04.9150



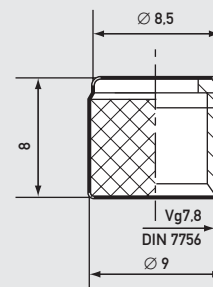
10.4000



10.4599



10.5000



32.3020



Nr.	Description	Pack
04.9150	Plastik Ventilkappe 5V2-1 Plastic valve cap	5.000
10.4000*	Sechskantmutter Vg7,8 Hexagonal nut	5.000
10.4599*	Felgenmutter Vg7,8 Rim nut	5.000
10.5000*	Überwurfmutter Vg7,8 Top nut	2.500
32.3020*	Rundscheibe Ring washer	5.000

Zinc-plated


**03.1205**

**03.3181**

**12.1004**

**12.4599**


Nr.	Description	Nr.	Pack
<b>03.1205</b>	Plastik Ventilkappe Plastic valve cap	V9.04.1	100
<b>03.3181</b>	Ersatzteil-Set Sclaverand Spare part set		100
<b>12.1004*</b>	Metallfuß-Fahrradventil Sclaverand Clamp-in bicycle valve	V1.01.2	250
<b>12.4599*</b>	Felgenmutter 6V1-1 Rim nut	V9.03.1	100

\* Messing vernickelt  
Nickel-plated brass





Two-wheelers

44.7413



44.7500



52.0944



52.0954



52.1514



Nr.	Description	TR Nr.	ETRTO Nr.	Ventilloch Valve hole dia.	Ø Pack
44.7413*^	Motorrad Metallventil Motorbike rim valve			8,3 + 0,3	100
44.7500^	Motorroller Winkelventil 80° Motorbike clamp in valve			8,3 + 0,3	200
44.7513*^	Motorrad Metallventil Motorbike rim valve	430eq		8,3 + 0,3	100
52.0944	Motorroller Felgenventil 90° Scooter rim valve			11,3 + 0,4	100
52.0954	Motorroller Felgenventil 75° Scooter rim valve			11,3 + 0,4	500
52.1514	Motorrad Felgenventil Motorbike rim valve	412	V2.03.6	11,3 + 0,4	100
52.1524	Motorrad Felgenventil Motorbike rim valve	412	V2.03.6	11,3 + 0,4	500

\* Nickel-plated brass

Installation torque 7 – 10 Nm

Two-wheelers


**13.8300**

**13.8800**

**13.8900**

**13.8950**

**13.9000**

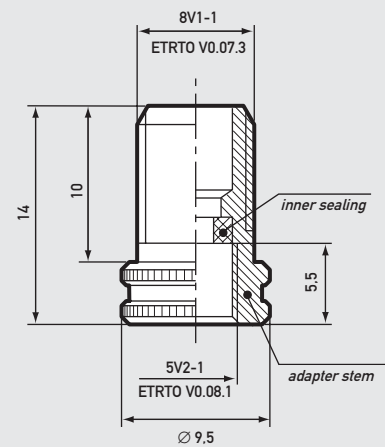
**13.9010**


Nr.	Description	Pack
<b>13.8300</b>	Adapter MA: 8V1-1 – FE: 5V2-1	100
<b>13.8320</b>	Adapter M10X1 – 8V1-1	20
<b>13.8800*</b>	Adapter mit Hebestift und Dichtung MA: 8V1-1 – FE: 8V1-1 Adapter with deflator pin and sealing MA: 8V1-1 – FE: 8V1-1	100
<b>13.8802*</b>	Expr-Adapter 5V2-1 – 8V1-1	20
<b>13.8900</b>	Adapter 5V2-1 – 5V2-1	100
<b>13.8902</b>	Adapter 5V2-1 – 5V2-1	20
<b>13.8950</b>	Adapter mit Ring 5V2-1 – 5V2-1 Adapter with ring 5V2-1 – 5V2-1	20
<b>13.9000</b>	Adapter mit Dichtung Adapter with sealing	100
<b>13.9010</b>	Adapter für Clip Adapter for clip	100

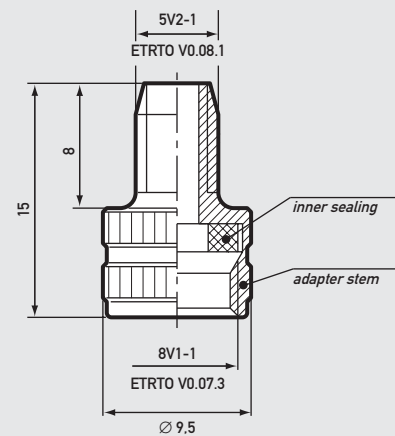
\* Nickel-plated brass



13.8100



13.8600



Nr.	Description	Pack
13.8100	Adapter mit Dichtung MA: 8V1-1 – FE: 5V2-1 Adapter with sealing	100
13.8102	Adapter mit Dichtung MA: 8V1-1 – FE: 5V2-1 Adapter with sealing	20
13.8600	Adapter mit Dichtung MA: 5V2-1 – FE: 8V1-1 Adapter with sealing	100
13.8602	Adapter mit Dichtung MA: 5V2-1 – FE: 8V1-1 Adapter with sealing	20



## Universal service station air chuck

- fits for
- Sclaverand
  - Dunlop
  - car/truck valves.

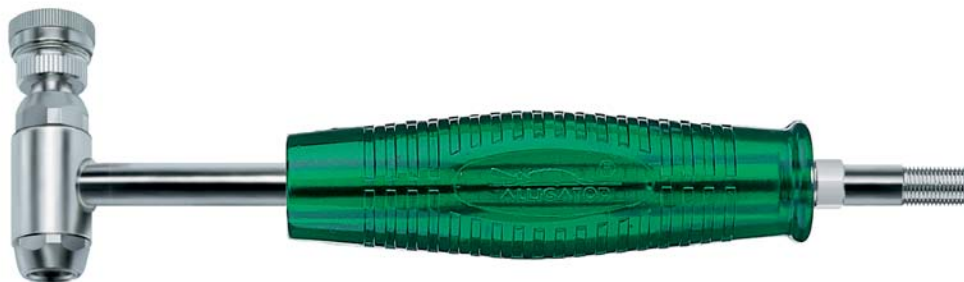
14.8500



14.8600



14.8700



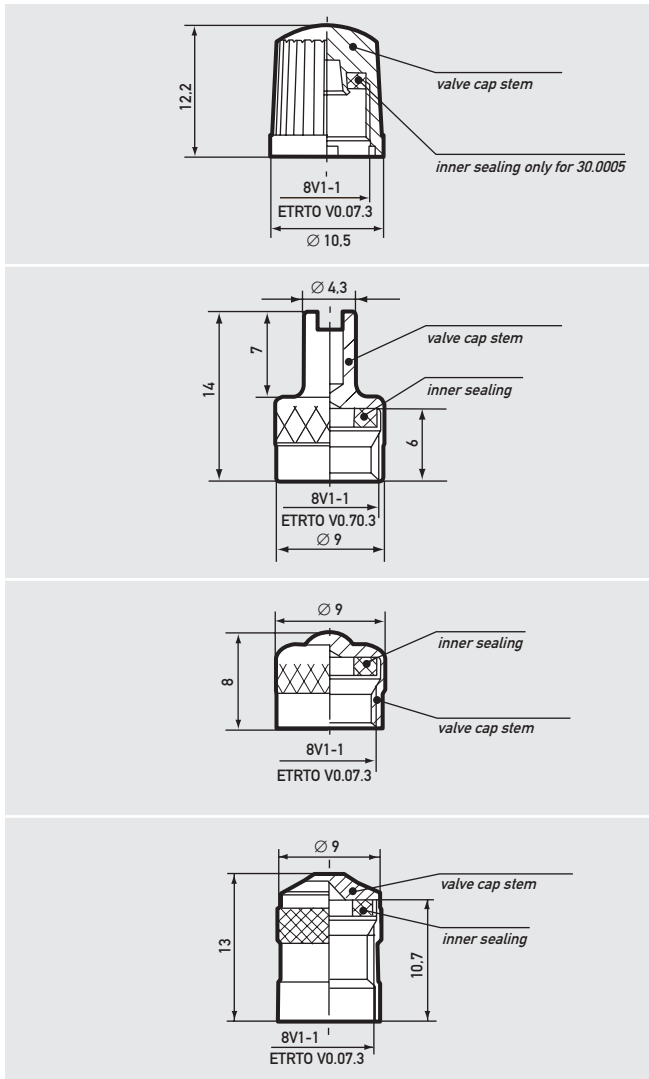
Nr.	Description	Pack
14.8500*	Universal-Tankstellenstecker IG 1/4 Station air chuck	5
14.8600	Universal-Tankstellenstecker 7/8 Station air chuck	5
14.8700	Universal-Tankstellenstecker MA: 8V1-1 Station air chuck	5

\* Nickel-plated brass





## Valve caps


**04.9110**
**30.0005**

**30.0500**

**30.1500**

**30.1518**

Nr.	Description	Colour	Nr.	ETRTO Nr.	Pack Nr.
<b>04.9110*</b>	Plastik Ventilkappe Plastic dust valve cap			VC8	100
<b>04.9115*</b>	Ventilkappe Valve cap	rot red		VC8eq	100
<b>04.9117*</b>	Ventilkappe Valve cap	grün green			100
<b>04.9118*</b>	Ventilkappe Valve cap	gelb yellow			100
<b>04.9119*</b>	Ventilkappe Valve cap	blau blue			100
<b>30.0005*</b>	Ventilkappe mit Dichtung Valve cap with sealing	schwarz black			100
<b>30.0025*</b>	Ventilkappe mit Dichtung Valve cap with sealing	silbern silver			100

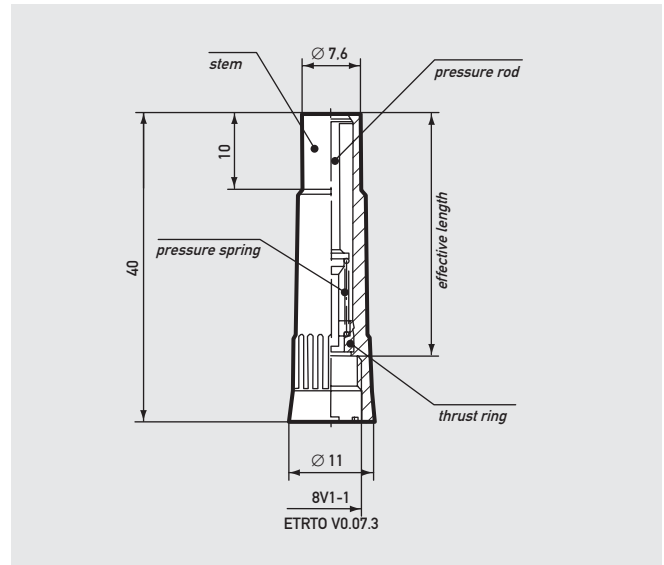
Nr.	Description	Colour	Nr.	ETRTO Nr.	Pack Nr.
<b>30.0106*</b>	Ventilkappe mit Dichtung Valve cap with sealing	gelb yellow			100
<b>30.0107*</b>	Ventilkappe mit Dichtung Valve cap with sealing	grün green			100
<b>30.0108*</b>	Ventilkappe mit Dichtung Valve cap with sealing	blau blue			100
<b>30.0109*</b>	Ventilkappe mit Dichtung Valve cap with sealing	rot red			100
<b>30.0500*</b>	Schlüsselventilkappe Screw driver valve cap		7757	VC2 V9.04.4	100
<b>30.1500*</b>	Rundkopfventilkappe Round top valve		7757	VC3eq V9.04.3	100
<b>30.1518*</b>	Ventilkappe mit Dichtung Valve cap with sealing				100

\* Nickel-plated brass

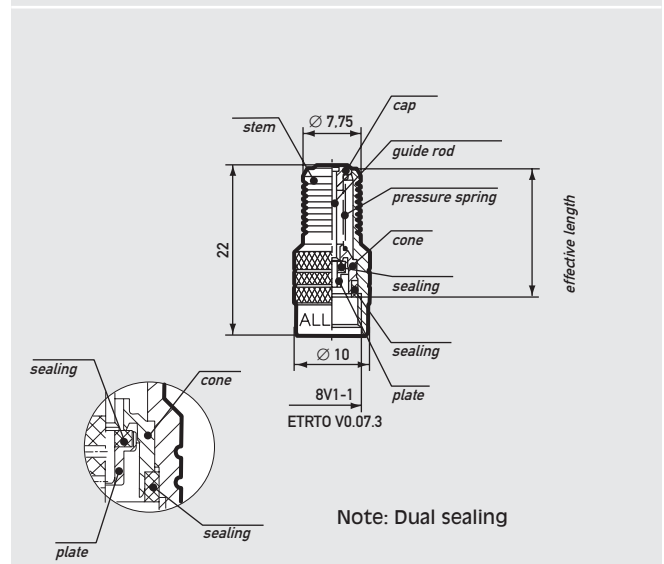
• Plastic



33.0501

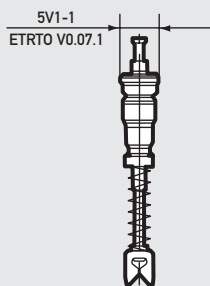
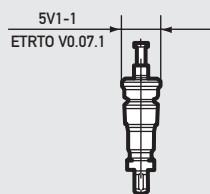


33.0709



Nr.	Description	Länge Length	Eff. Länge Eff. Length	TR Nr.	DIN Nr.	Pack
33.0275	Verlängerungskappe, Kunststoff Plastic extension cap	20,5	12			50
33.0401*	Verlängerungskappe, Metall Metal extension cap	40	32			50
33.0501	Verlängerungskappe, Kunststoff Plastic extension cap	40	32			50
33.0709*	Verlängerungskappe mit Dichtung Double seal cap	22	17	VC12	7757	50

\* Nickel-plated brass


**31.2000**

**31.5000**

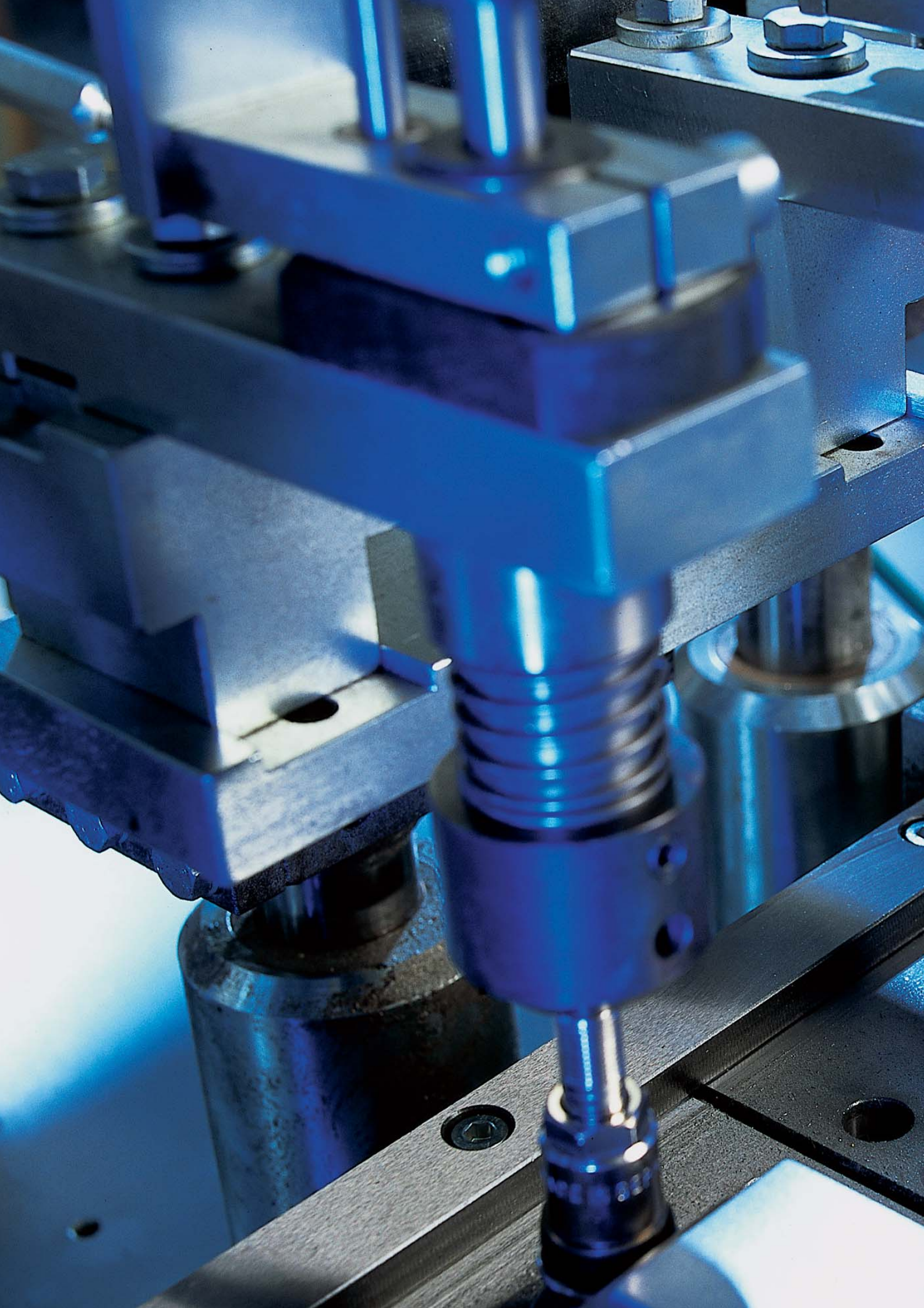

Nr.	Description	Öffnungsdruck Opening pressure	Arbeitsdruck Operation pressure	Nr.	Nr.	Pack
<b>31.2000*</b>	Ventileinsatz, lang Valve core, long	5° bar	bis 20 bar	7757	C1	100
<b>31.5000*</b>	Ventileinsatz, kurz Valve core, short	3° bar	bis 20 bar	7757	C1	100
<b>31.5006</b>	Ventileinsatz, Gewindebüchse vernickelt Valve core, thread bushing nickel-plated <b>Ventileinsatz für RDK-Systeme.</b> <b>Valve core for TPM Systems.</b>	3° bar	bis 20 bar	7757	C1	100
<b>31.7200</b>	Ventileinsatz Valve core <b>Unsere Empfehlung für Ihr Motorrad.</b> <b>Our commendation for your motor bike.</b>	> 4,5 bar	bis 20 bar	7757	C1	100

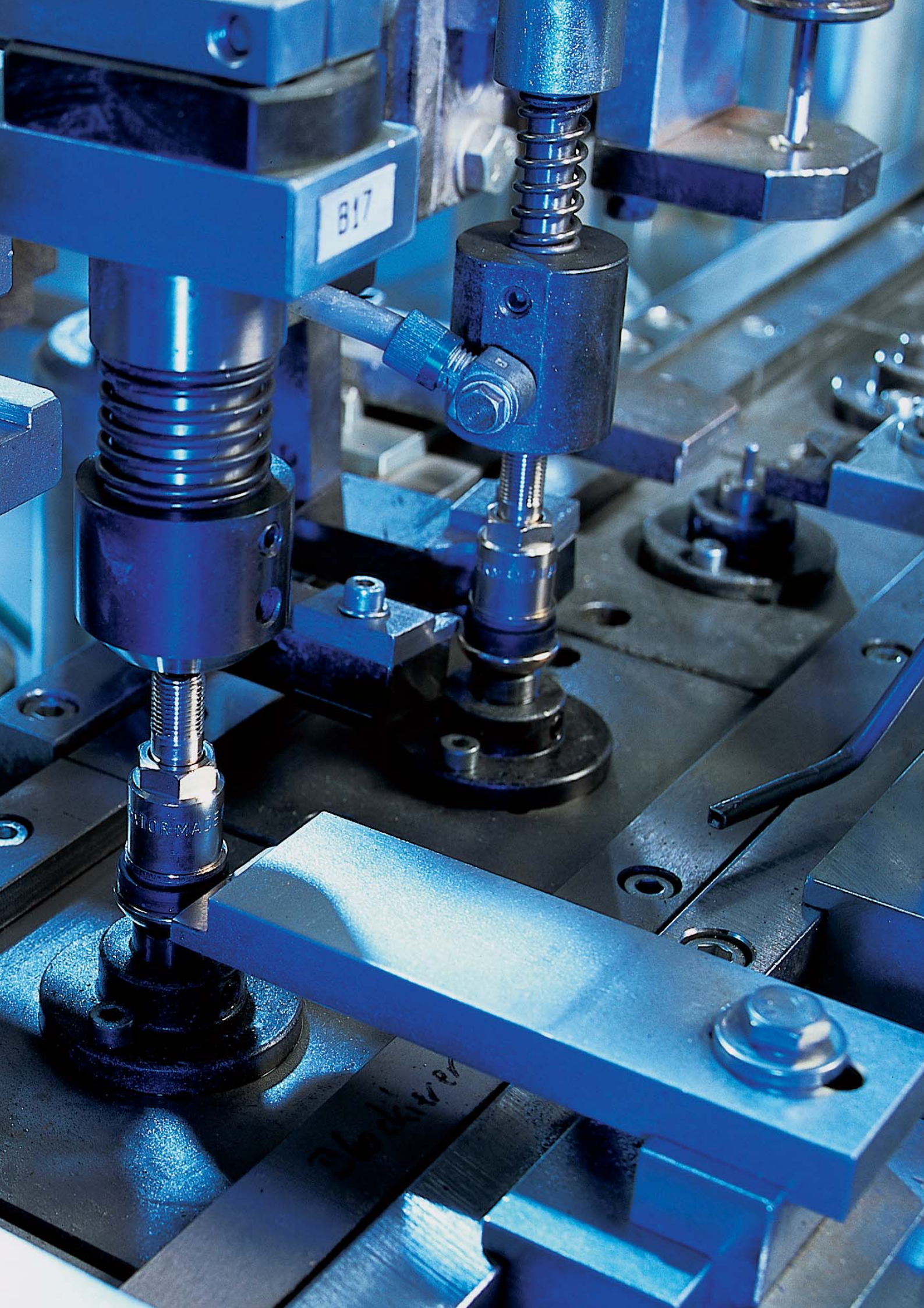
\* Nickel-plated brass

Opening pressure – tolerance +/- 25%

Valve cores for several demands available on request.



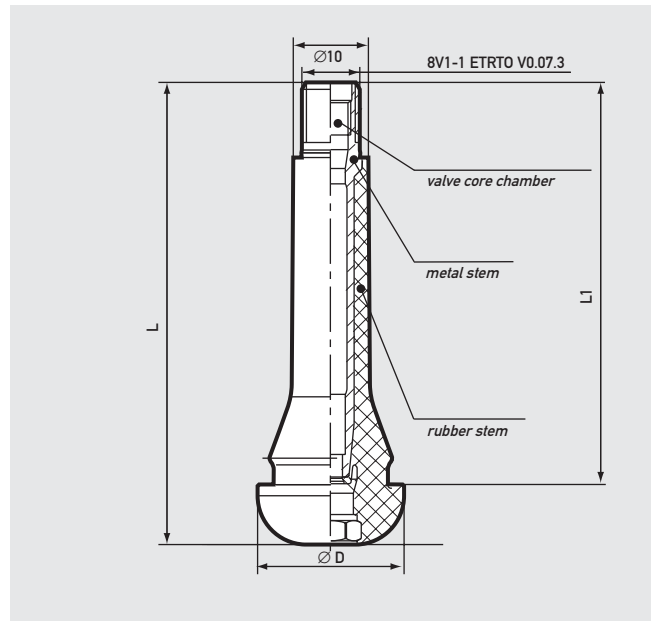






For tubeless tyres on passenger cars it is strongly recommended that for speeds > 210 km/h (V, W, Y or ZR) and where the valve is deflecte by centrifugal force through an angle greater than 25°, either metal (clamp-in) valves or valve supports should be used.

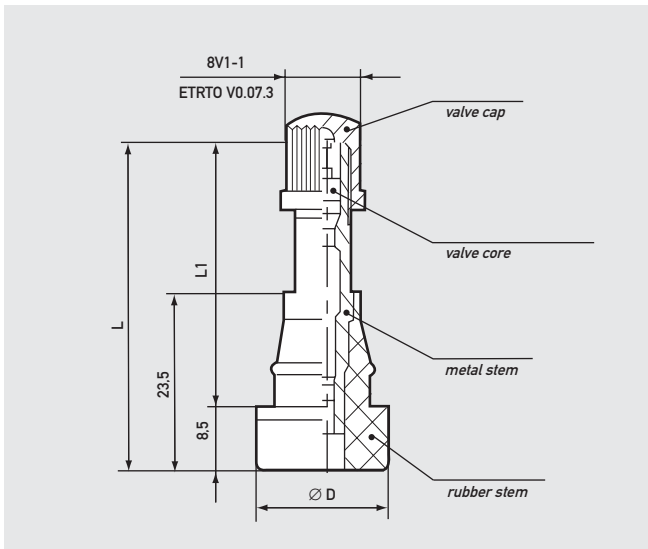
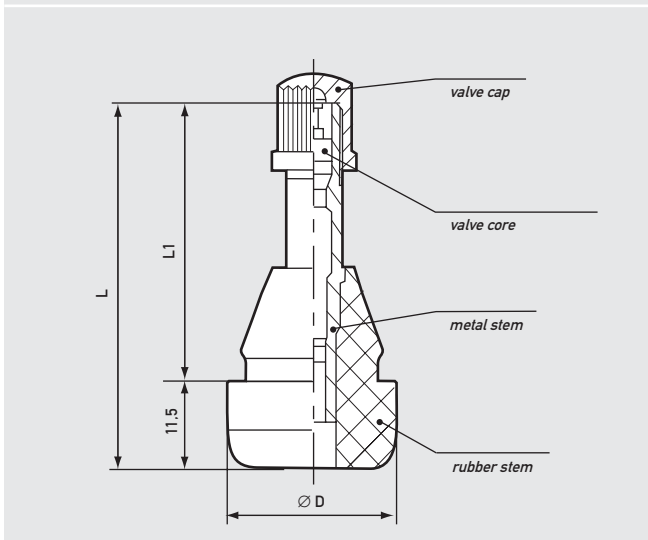
52.5014



Nr.	Description	Nr.	Nr.	Nr.	Valve length	Diameter D	Valve hole dia.	Pack	
52.0555	PKW Felgenreventil Passenger car tubeless valve		438		41	34	16	8,8 + 0,3	100
52.0634	Pkw Felgenreventil 60 GS Passenger car tubeless valve			V2.03.9	59	52,5	16	8,8 + 0,3	500
52.1514	PKW Felgenreventil Passenger car tubeless valve		412	V2.03.6	33	25	19,5	11,3 + 0,4	100
52.1554	Pkw Felgenreventil Passenger car tubeless valve		412	V2.03.6	33	25	19,5	11,3 + 0,4	500
52.2014	PKW Felgenreventil Passenger car tubeless valve	7780	413	V2.03.1	43	35	19,5	11,3 + 0,4	100
52.2024	PKW Felgenreventil Passenger car tubeless valve	7780	413	V2.03.1	43	35	19,5	11,3 + 0,4	500
52.3014	PKW Felgenreventil Passenger car tubeless valve	7780	414	V2.03.2	49	41	19,5	11,3 + 0,4	100
52.3024	PKW Felgenreventil Passenger car tubeless valve	7780	414	V2.03.2	49	41	19,5	11,3 + 0,4	500
52.4014	PKW Felgenreventil Passenger car tubeless valve	7780	415	V2.03.3	43	35	23,5	15,7 + 0,4	100
52.4024	PKW Felgenreventil Passenger car tubeless valve	7780	415	V2.03.3	43	35	23,5	15,7 + 0,4	500
52.5014	PKW Felgenreventil Passenger car tubeless valve		418	V2.03.4	61,5	53,5	19,5	11,3 + 0,4	100
52.5124	PKW Felgenreventil Passenger car tubeless valve		418	V2.03.4	61,5	53,5	19,5	11,3 + 0,4	500
52.7014	PKW Felgenreventil Passenger car tubeless valve		423		74	65,5	19,5	11,3 + 0,4	100
52.8014	PKW Felgenreventil Passenger car tubeless valve		425		60,5	52,5	24	15,7 + 0,4	100
52.9014	PKW Felgenreventil Passenger car tubeless valve		414L	V2.03.8	56,5	48,5	19,5	11,3 + 0,4	100
52.9024	PKW Felgenreventil Passenger car tubeless valve		414L	V2.03.8	56,5	48,5	19,5	11,3 + 0,4	500

Max. working pressure 4.5 bar ^ = 65 PSI at room temperature

More package units available on request.


**52.1014**

**52.1214**


Nr.	Description	Nr.	Nr.	Valve length	L1	Diameter D	Valve hole dia.	Pack
<b>52.1012</b>	PKW Felgenreventil Passenger car tubeless valve	°600HP-DC		43,5	35	17,5	11,3 + 0,4	500
<b>52.1014</b>	PKW Felgenreventil Passenger car tubeless valve	600HP	V3.23.1	43,5	35	17,5	11,3 + 0,4	100
<b>52.1024</b>	Pkw Felgenreventil Passenger car tubeless valve	600HP	V3.23.1	43,5	35	17,5	11,3 + 0,4	500
<b>52.1054</b>	PKW Felgenreventil Passenger car tubeless valve	600XHP		43,5	35	17,5	11,3 + 0,4	100
<b>52.1114</b>	PKW Felgenreventil Passenger car tubeless valve	602HP	V3.23.2	62,1	53,5	17,5	11,3 + 0,4	500
<b>52.1214</b>	PKW Felgenreventil Passenger car tubeless valve	801HP		48,2	36,5	23,5	15,7 + 0,4	100
<b>52.1314</b>	PKW Felgenreventil Passenger car tubeless valve	802HP		65,8	57	23,5	15,7 + 0,4	100

 Max. working pressure 5.5 bar  $\hat{=}$  80 PSI at room temperature

 Max. working pressure 6.9 bar  $\hat{=}$  100 PSI at room temperature



23.1900



52.2099



52.3099



Nr.	Description	Nr.	Nr.	Pack
23.1900	Hebel-Einziehwerkzeug Kunststoff Plastic valve mounting tool			10
52.2099	Gummiventil mit Chromhülse Rubber valve with chrome sleeve	V2.03.1	413	100
52.3099	Gummiventil mit Chromhülse Rubber valve with chrome sleeve	V2.03.2	414	100



## Valve kit for electronic tire pressure control systems



ALLIGATOR supplies valve kits for various vehicle types. The four different valve lengths are marked by colours ensuring fast recognition. The adjustability of the system is patented and unique in the world. Thus the ALLIGATOR system adapts to the most different rim outlines automatically.

### Tire change? Adapt valves.

Important with an electronic tire pressure control system: summer tires and/or winter tires must be equipped with the appropriate valves.

### Pressure problems? No way.

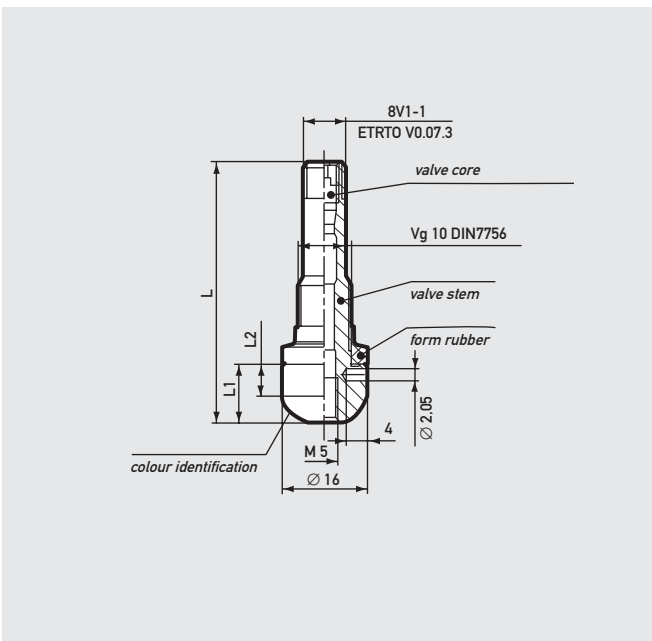
More and more car drivers are deciding for an electronic tire pressure control system. The advantages are obvious: electronic components permanently control an important safety-relevant part of the vehicle and warn of pressure loss, low pressure or a flat tire.



For tires with emergency running properties, a tire pressure control system is absolutely necessary.

With the practical spare parts box, ALLIGATOR allows clear and fast working with valve parts.

For original equipment, ALLIGATOR also supplies the suitable wheel electronics kit. It covers aluminum valves and wheel electronics.



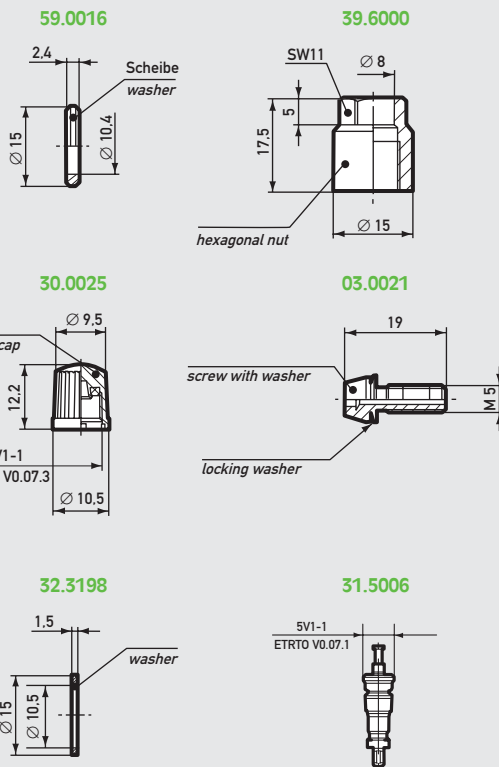
Nr.	Description	Nr.	Valve length L mm	mm	mm	Valve hole dia.	Colour identification	Pack
59.0005	PKW 48LMS Set mit flacher Scheibe set with flat washer		48	7	2	11,3 + 0,4	grün green	1
59.0007	PKW 48LMS		48	7	2	11,3 + 0,4	grün green	4
59.0008	PKW 48LMS Set mit 45° Scheibe set with 45° washer	RDV002	48	7	2	11,3 + 0,4	grün green	1
59.0035	PKW 43LMS Set mit flacher Scheibe set with flat washer		43	7	2	11,3 + 0,4	keine none	1
59.0037	PKW 43LMS		43	7	2	11,3 + 0,4	keine none	4
59.0038	PKW 43LMS Set mit 45° Scheibe set with 45° washer	RDV001	43	7	2	11,3 + 0,4	keine none	1
59.0055	PKW 51LMS Set mit flacher Scheibe set with flat washer		51	15	10	11,3 + 0,4	orange orange	1
59.0057	PKW 51LMS		51	15	10	11,3 + 0,4	orange orange	4
59.0058	PKW 51LMS Set mit 45° Scheibe set with 45° washer	RDV004	51	15	10	11,3 + 0,4	orange orange	1
59.0085	PKW 49LMS Set mit flacher Scheibe set with flat washer		49	11	6	11,3 + 0,4	schwarz black	1
59.0087	PKW 49LMS		49	11	6	11,3 + 0,4	schwarz black	4
59.0088	PKW 49LMS Set mit 45° Scheibe set with 45° washer	RDV003	49	11	6	11,3 + 0,4	schwarz black	1

TPMS electronic available on request.

Mounting instruction available on request.



lose beigelegt/loose arranged


**59.0850**


Nr.	Description	Nr.	Nr.
<b>59.0850</b>	Ersatzteilebox bestehend aus: Spare part box contains:		
	100 x <b>31.5006</b> Ventileinsatz/Valve core	7756	C1
	50 x <b>30.0025</b> Ventilkappe/Valve cap		
	40 x <b>03.0021</b> Schraube/Screw		
	40 x <b>32.3198</b> Scheibe/Washer		
	40 x <b>39.6000</b> 6kt-Mutter/Hexagonal nut		
	40 x <b>59.0016</b> Scheibe/Washer		

Installation torque for valve nut and screw for electronic housing:

 Audi, DC, VW: 4 ± 0,5 Nm  
 BMW, Porsche: 3,5 ± 0,5 Nm





51.2553



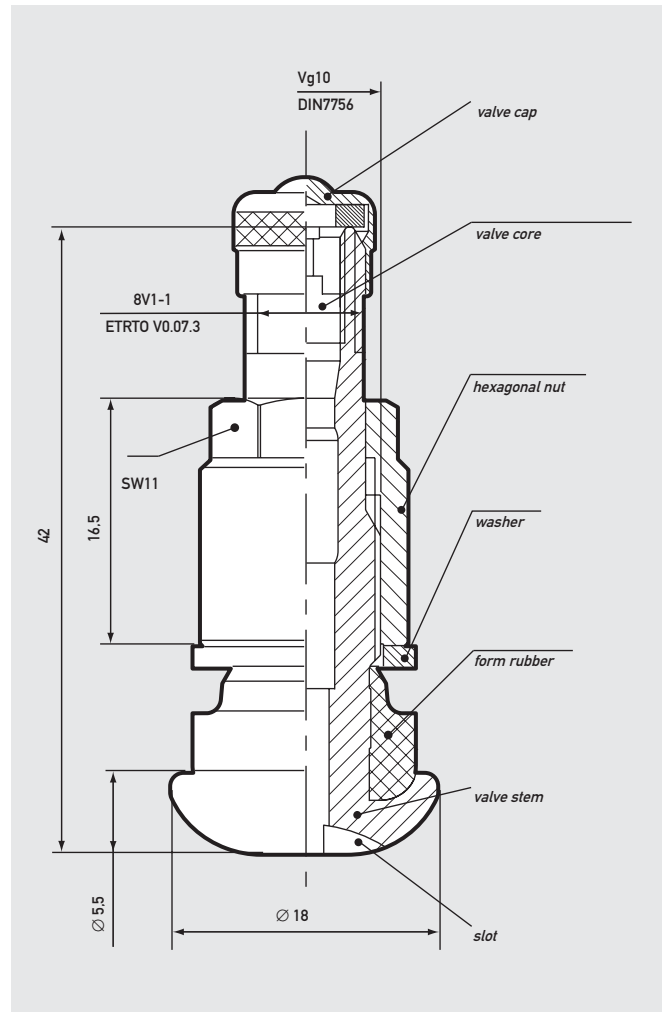
51.2563



51.3103



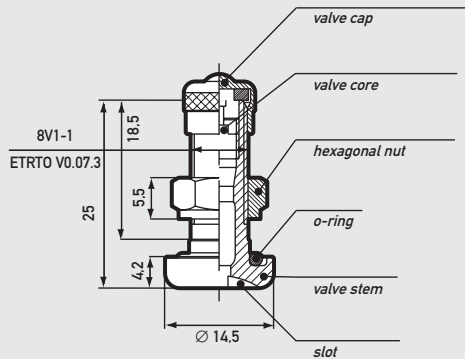
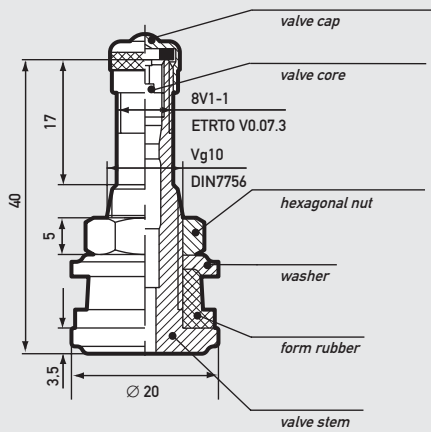
51.3143



Nr.	Description	Valve hole dia.	Pack
51.2553*	Metallventil 42MS11,3-SW11 Metal valve 42MS11,3-SW11	11,3 + 0,4	100
51.2563*	Metallventil 42MS11,3-SW11 zusätzlich mit KF-Scheibe Metal valve 42MS11,3-SW11 with additional plastic washer	11,3 + 0,4	100
51.3103*	Metallventil 42MS11,3-SW14 Metal valve 42MS11,3-SW14	11,3 + 0,4	100
51.3143*	Metallventil 42MS11,3-SW16 Metal valve 42MS11,3-SW16	11,3 + 0,4	100

\* Messing vernickelt  
Nickel-plated brass

Anzugs-Drehmoment 4 – 6 Nm  
Installation torque 4 – 6 Nm


**44.7413**

**51.2013**


Nr.	Description	Nr.	Nr.	Valve hole dia.	Installation torque	Pack
<b>44.7413*</b>	Metallventil 25MS8,3 Metal valve 25MS8,3			8,3 + 0,3	7 – 10 Nm	100
<b>44.7513*</b>	Metallventil 34MS8,3 Metal valve 34MS8,3	430eq	V1.10.1	8,3 + 0,3	7 – 10 Nm	100
<b>51.2013*</b>	Metallventil 40MS15,7 Metal valve 40MS15,7	416eq	V2.05.2	15,7 + 0,4	3 – 5 Nm	100

\* Nickel-plated brass



**51.1003**



**51.1993**



**51.2533**

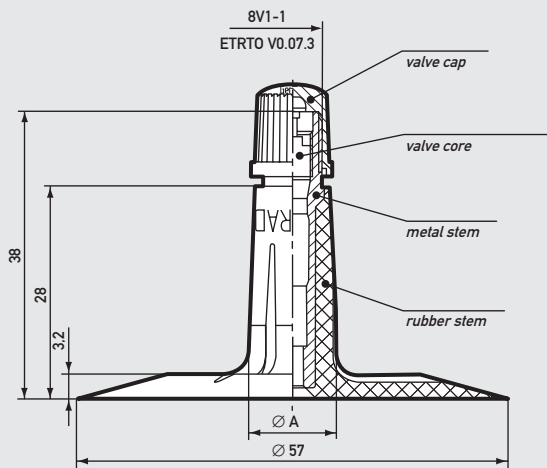
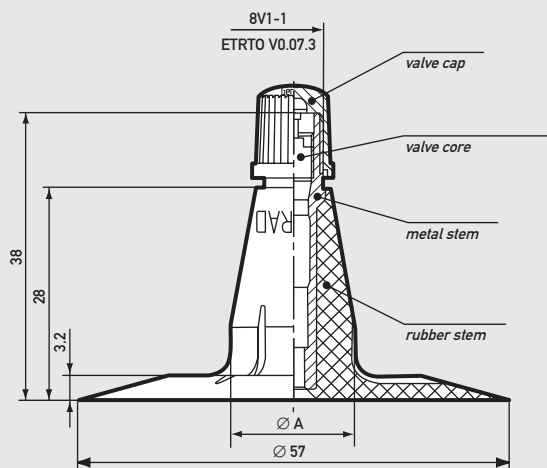


**51.6003**



Nr.	Description	Nr.	Nr.	Valve hole dia.	Installation torque	Pack
<b>51.1003*</b>	Motorradventil 33MS8,3 Motorbike valve 33MS8,3			8,3 + 0,3	3 – 5 Nm	100
<b>51.1983</b>	Metallventil 37MS8,3 Metal valve 37MS8,3			8,3 + 0,3	3 – 5 Nm	100
<b>51.1993</b>	Metallventil 39MS8,3 Metal valve 39MS8,3			8,3 + 0,3	5 – 7 Nm	100
<b>51.2503*</b>	Metallventil 37MS11,3-SW14 Metal valve 37MS11,3-SW14	416S		11,3 + 0,4	3 – 5 Nm	100
<b>51.2504*</b>	Metallventil 39MS11,3-SW14 Metal valve 39MS11,3-SW14	416S		11,3 + 0,4	3 – 5 Nm	4
<b>51.2523*</b>	Metallventil mit extra Gummidichtung 39MS11,3/15,7-SW14 Metal valve with extra rubber washer	416S	V2.05.01	11,3 + 0,4 15,7 + 0,4	3 – 5 Nm	100
<b>51.2533*</b>	Metallventil 39MS11,3-SW11 Metal valve 39MS11,3-SW11	416S	V2.05.1	11,3 + 0,4	3 – 5 Nm	100
<b>51.3043</b>	Metallventil 34LMS11,3 Metal valve 34LMS11,3			11,3 + 0,4	4 – 6 Nm	100
<b>51.6003</b>	Metallventil 35LMS9,7-SW14elox Metal valve 35LMS9,7-SW14elox			9,7 + 0,3	4 – 6 Nm	100

\* Nickel-plated brass

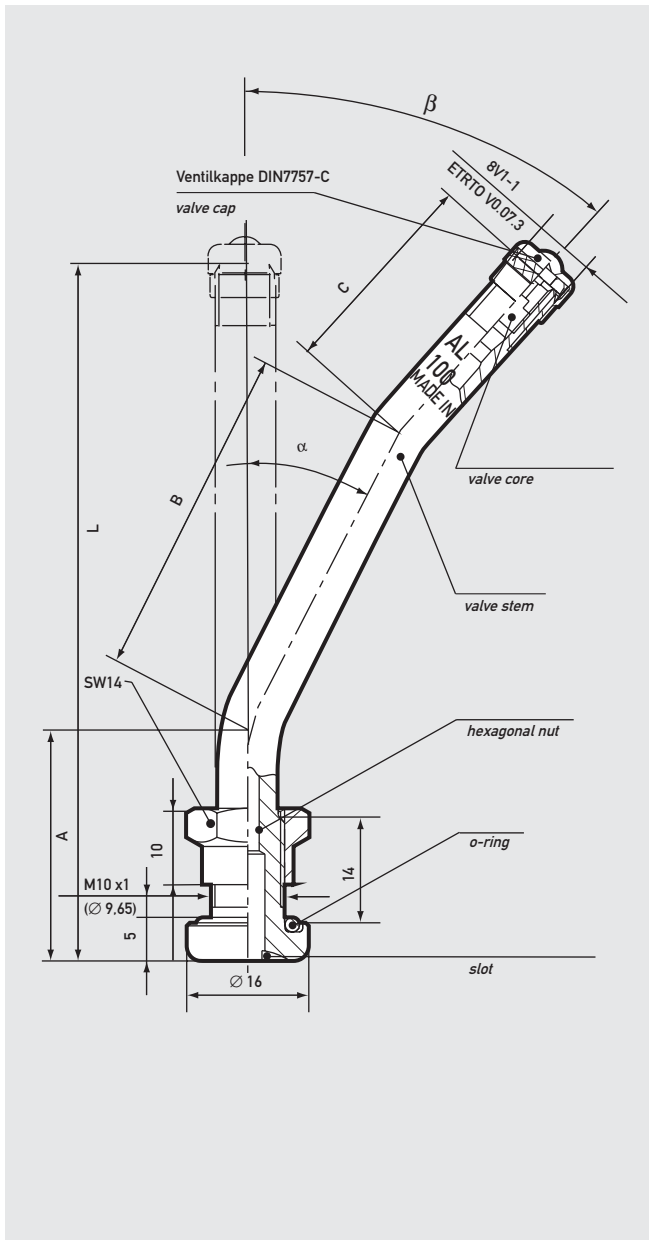

**50.0522**

**50.1522**

**04.9200**


Nr.	Description	Ø A	DIN Nr.	TR Nr.	ETRTO Nr.	Ventilloch Ø Valve hole dia.	Pack
<b>04.9200</b>	Ausgleichshülse TR13/TR15 Rim ferrule			B6			100
<b>50.0522</b>	Gummifußventil Rubber base valve	11,5	7774	13	V2.01.1	11,3 + 0,4	500
<b>50.1522</b>	Gummifußventil Rubber base valve	16	7774	15	V2.01.2	15,7 + 0,4	500

On request article available also in natural rubber.




**77.0373**


Nr.	Description	L mm	A mm	B mm	C mm	α°	β°	Ref. Nr.	DIN Nr.	ETRTO Nr.	Ventilloch ø Valve hole dia.	Pack
<b>77.0503</b>	41MS9,7	41						964	78027	V3.20.1	9,7 + 0,3	10
<b>77.0513</b>	90MS9,7	90									9,7 + 0,3	10
<b>77.0653</b>	70MS9,7	70									9,7 + 0,3	10
<b>77.0373</b>	100MS9,7/30-27°/42°		30	45	25	27	42	1750		V3.20.11	9,7 + 0,3	10
<b>77.0403</b>	133MS9,7/46-27°/15°		46	22	65	27	15				9,7 + 0,3	10

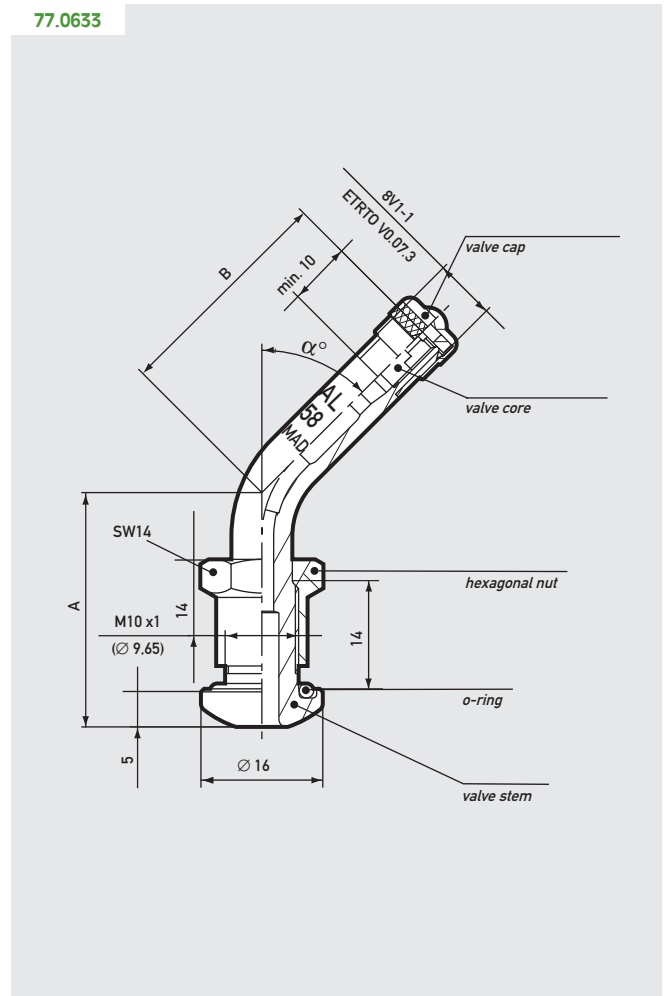
Installation torque 12 – 15 Nm



77.0273

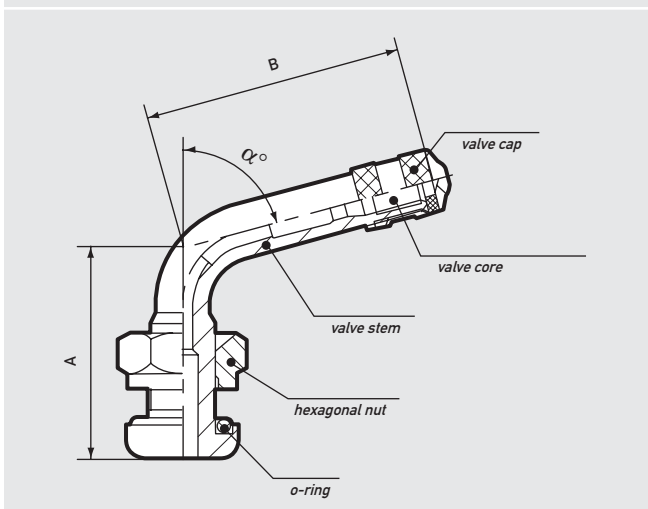
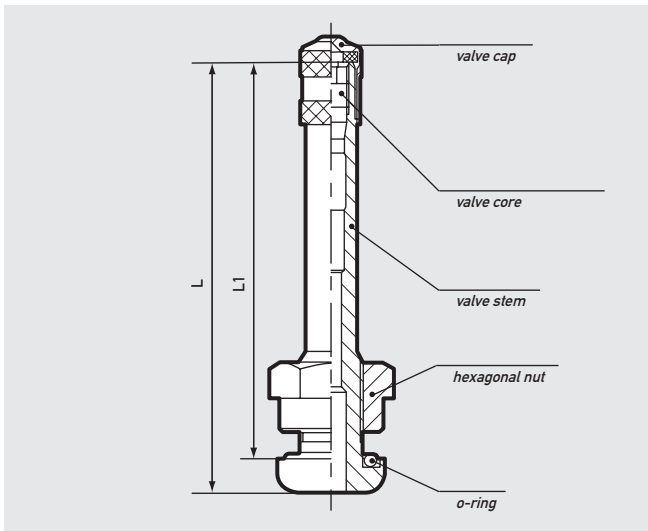


77.0633



Nr.	Description	mm	mm	$\alpha^\circ$	Nr.	Nr.	Valve hole dia.	Pack
77.0103	80MS9,7/30-27°	30	50	27	1500	V3.20.7	9,7 + 0,3	10
77.0123	80MS9,7/55-28°	55	25	28			9,7 + 0,3	10
77.0223	95MS9,7/35-17,5°	35	60	17,5		V3.20.2	9,7 + 0,3	10
77.0233	115MS9,7/30-27°	30	85	27	1487	V3.20.6	9,7 + 0,3	10
77.0273	100MS9,7/30-27°	30	70	27		V3.20.12	9,7 + 0,3	10
77.0283	100MS9,7/57-12°	57	43	12			9,7 + 0,3	10
77.0303	119MS9,7/37-27°	37	82	27			9,7 + 0,3	10
77.0333	119MS9,7/34-12°	34	85	12		V3.20.8	9,7 + 0,3	10
77.0353	125MS9,7/30-27°	30	95	27			9,7 + 0,3	10
77.0383	110MS9,7/30-27°	30	80	27	1898		9,7 + 0,3	10
77.0583	90MS9,7/30-27°	30	60	27	1485	V3.20.4	9,7 + 0,3	10
77.0603	70MS9,7/30-27°	30	40	27	1486	V3.20.5	9,7 + 0,3	10
77.0623	70MS9,7/30-20°	30	40	20			9,7 + 0,3	10
77.0633	58MS9,7/30-45° ohne Schlitz 58MS9,7/30-45° without slot	30	28	45	2123	V3.22.1	9,7 + 0,3	10

Installation torque 12 – 15 Nm


**77.0699**

**77.0686**

Nr.	Description	mm	mm	mm	mm	α°	Nr.	Valve hole dia.	Pack
77.0026*	ALCOA NFZ Ventil 94MS9,7 / 30-75°			30	66	75	545E	9,7 + 0,3	10
77.0031*	ALCOA NFZ Ventil 113MS9,7	113	109				546	9,7 + 0,3	10
77.0034*	ALCOA NFZ Ventil 113MS9,7 / 30-75°			30	85	75	546E	9,7 + 0,3	10
77.0037*	ALCOA NFZ Ventil 113MS9,7 / 30-60°			30	85	60	546D	9,7 + 0,3	10
77.0039*	ALCOA NFZ Ventil 113MS9,7 / 30-36°			30	85	36	546-36	9,7 + 0,3	10
77.0052*	ALCOA NFZ Ventil 124MS9,7 / 30-60°			30	96	60	547D	9,7 + 0,3	10
77.0669*	ALCOA NFZ Ventil 37MS9,7	37	32				542	9,7 + 0,3	10
77.0676*	ALCOA NFZ Ventil 94MS9,7 / 30-60°			30	66	60	545D	9,7 + 0,3	10
77.0678*	ALCOA NFZ Ventil 94MS9,7	94	89				545	9,7 + 0,3	10
77.0683*	ALCOA NFZ Ventil 78MS9,7	78	73				544	9,7 + 0,3	10
77.0686*	ALCOA NFZ Ventil 78MS9,7 / 30-60°			30	49	60	544D	9,7 + 0,3	10
77.0695*	ALCOA NFZ Ventil 64MS9,7 / 29-45°			29	35	45	543C	9,7 + 0,3	10
77.0696*	ALCOA NFZ Ventil 64MS9,7 / 29-60°			30	35	60	543D	9,7 + 0,3	10
77.0697*	ALCOA NFZ Ventil 64MS9,7 / 30-75°			30	35	75	543E	9,7 + 0,3	10
77.0699*	ALCOA NFZ Ventil 64MS9,7	64	59				543	9,7 + 0,3	10

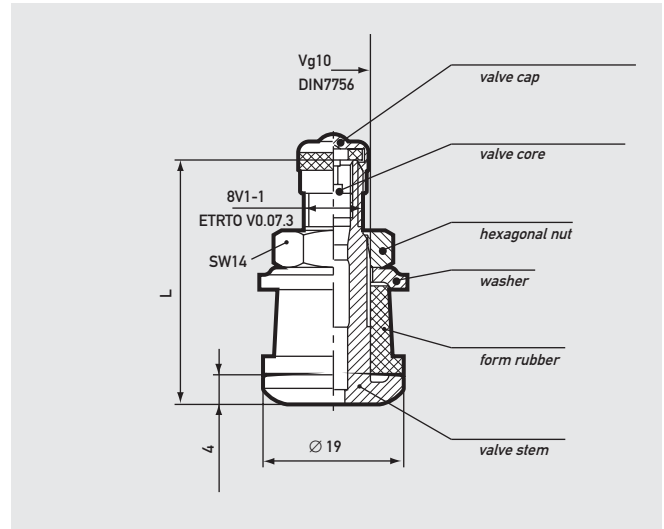
\* Nickel-plated brass

Installation torque 9 – 14 Nm

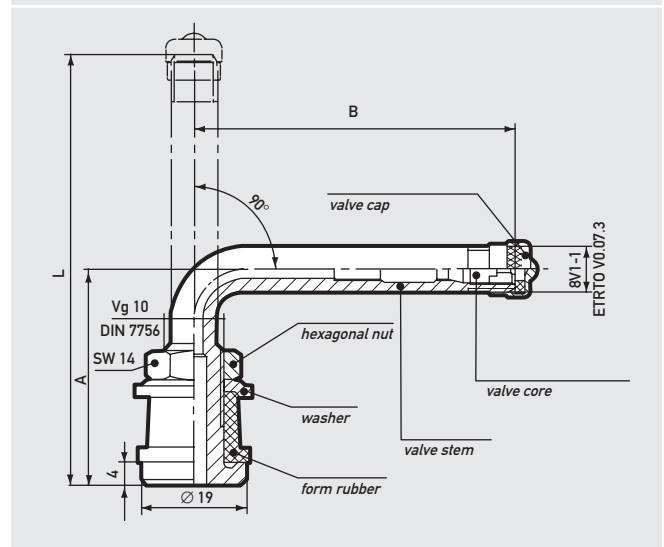




75.0603



75.2803

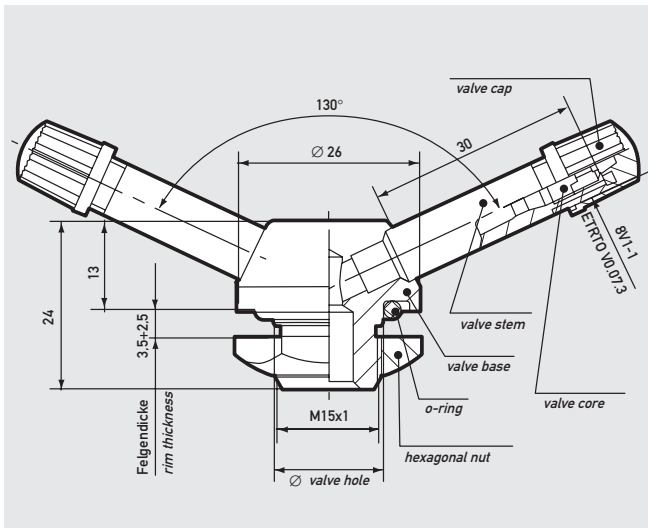
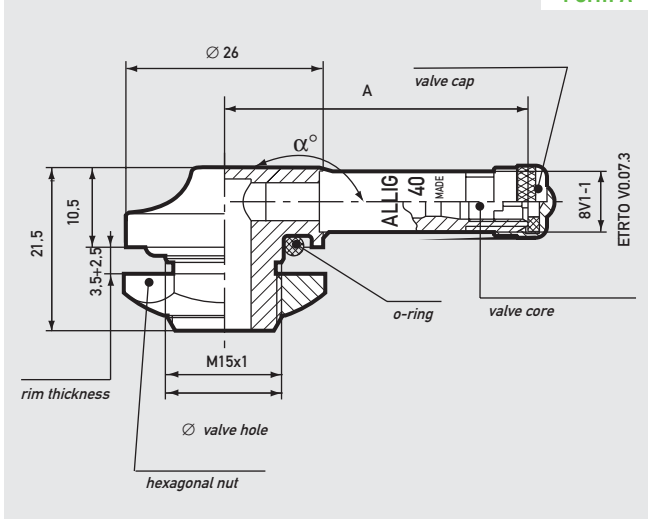
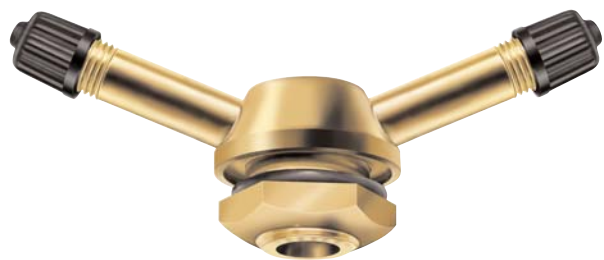


Nr.	Description	mm	mm	mm	Nr.	Nr.	Nr.	Pack
75.0603	32MS15,7	33			7781	575	V3.21.1	10
75.1103	42MS15,7	42				501	V3.21.2	10
75.1603	54MS15,7	54			7781	500	V3.21.3	10
75.2103	84MS15,7	84			7781	570	V3.21.4	10
75.2603	89MS15,7	89			7781	571	V3.21.5	10
75.3103	99MS15,7	99			7781	572	V3.21.6	10
75.3603	114MS15,7	114			7781	573	V3.21.7	10
75.4103	132MS15,7	132				574	V3.21.8	10
75.2303	84MS15,7	84	37	52	7781	570C	V3.21.9	10
75.2803	89MS15,7	89	37	57	7781	571C	V3.21.10	10
75.3303	99MS15,7	99	37	67	7781	572C	V3.21.11	10
75.3803	114MS15,7	114	37	82	7781	573C	V3.21.12	10

Installation torque 4 – 6 Nm



For wheels with wide base rims 15° tapered  
and valve hole dia 15.7 mm  
(on tyre side, flat countersunk, at least dia. 27 mm  
and rim thickness up to 6 mm)


**Form A**
**77.1100**

**77.1153**


Nr.	Description	Form	A mm	B mm	$\alpha^\circ$	Ref. Nr.	ETRTO Nr.	Valve hole dia.	Pack
<b>77.1100</b>	MSF Doppelventil MSF Double valve							15,7 + 0,4	10
<b>77.1153</b>	40MSF15,7	A	40			1294	V3.12.1	15,7 + 0,4	10
<b>77.1183</b>	95MSF15,7	A	95			1470	V3.12.2	15,7 + 0,4	10
<b>77.1353</b>	100MSF15,7	B1	60	40	155	1726		15,7 + 0,4	10
<b>77.1373</b>	110MSF15,7	B1	30	79	150	1537		15,7 + 0,4	10

Anzugs-Drehmoment 25 – 31 Nm  
Installation torque 25 – 31 Nm

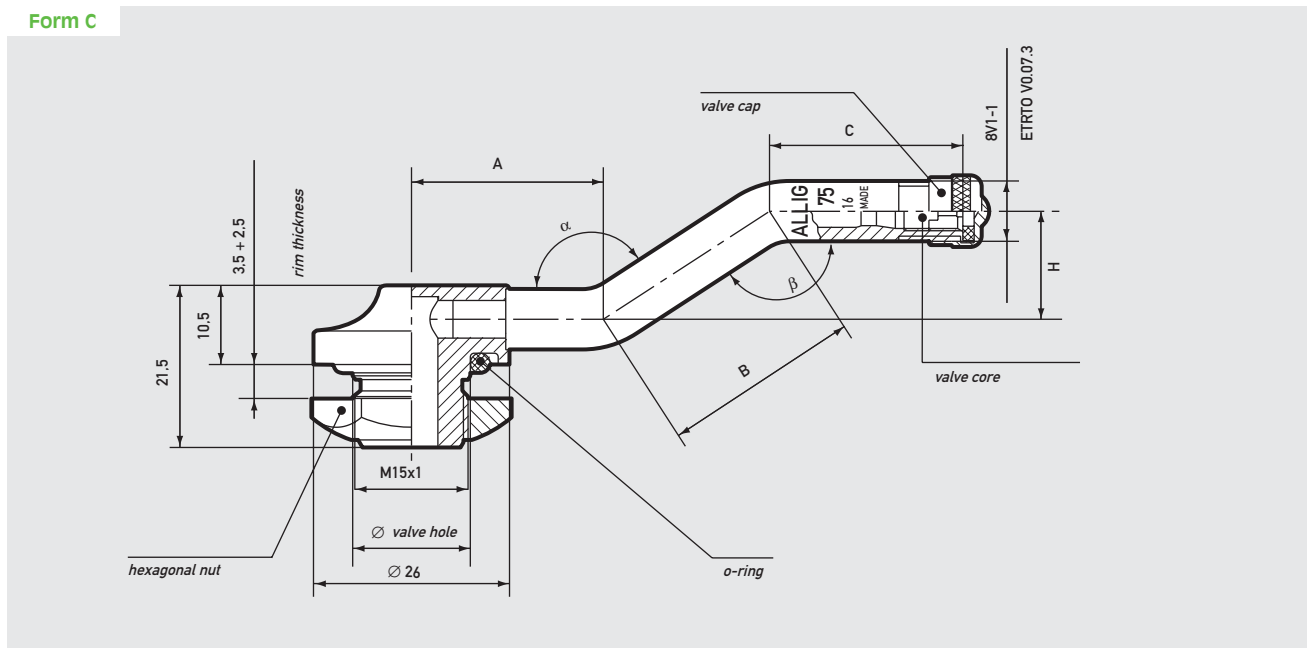


For wheels with wide base rims 15° tapered  
and valve hole dia 15.7 mm  
(on tyre side, flat countersunk, at least dia. 27 mm  
and rim thickness up to 6 mm)

**77.1243**



**Form C**

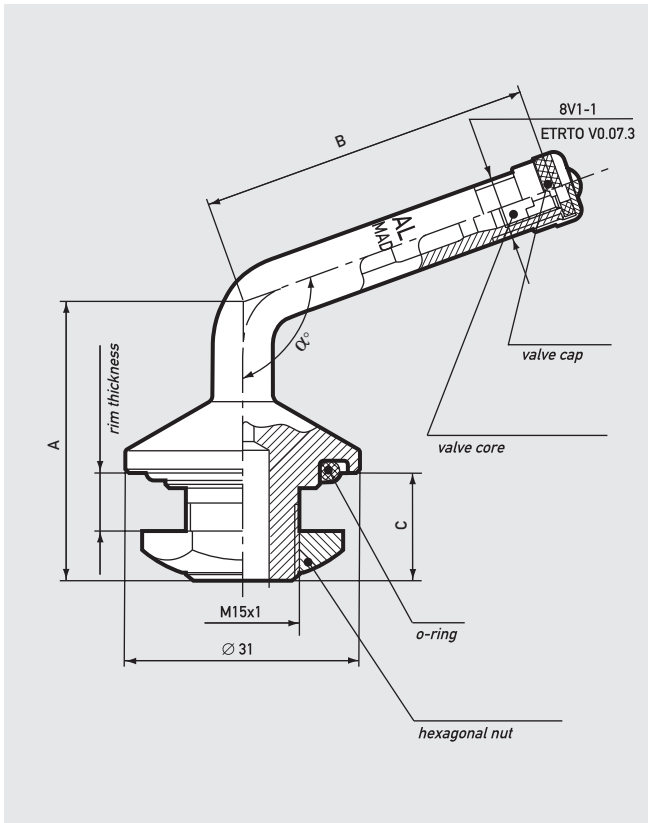


Nr.	Description	Form	A mm	B mm	C mm	H mm	α°	β°	Ref. Nr.	ETRTO Nr.	Ventilloch ø Valve hole dia.	Pack
77.1243	75MSF15,7	C1	25	25,5	24,5	14	147	147	806	V3.14.1	15,7 + 0,4	10
77.1248	85MSF15,7	C1	37	25,5	24,5	14	147	147	1184	V3.14.3	15,7 + 0,4	10
77.1253	95MSF15,7	C1	45	25,5	24,5	14	147	147	808	V3.14.2	15,7 + 0,4	10
77.1283	110MSF15,7	C1	25	42	44,5	10	167	167	1632		15,7 + 0,4	10
77.1343	90MSF15,7	F1	19,5	27	42,5		173	153	1459	V3.13.1	15,7 + 0,4	10
77.1363	110MSF15,7	F1	19,5	10,5	79		173	126	1311	V3.13.2	15,7 + 0,4	10

Installation torque 25 – 31 Nm



For wheels with special flat base rims, valve hole dia. 20.5 mm in conjunction with PILOTE "X" tubeless tyres. (on tyre side, flat countersunk, at least dia. 27 mm and rim thickness up to 6 mm)


**77.0723**

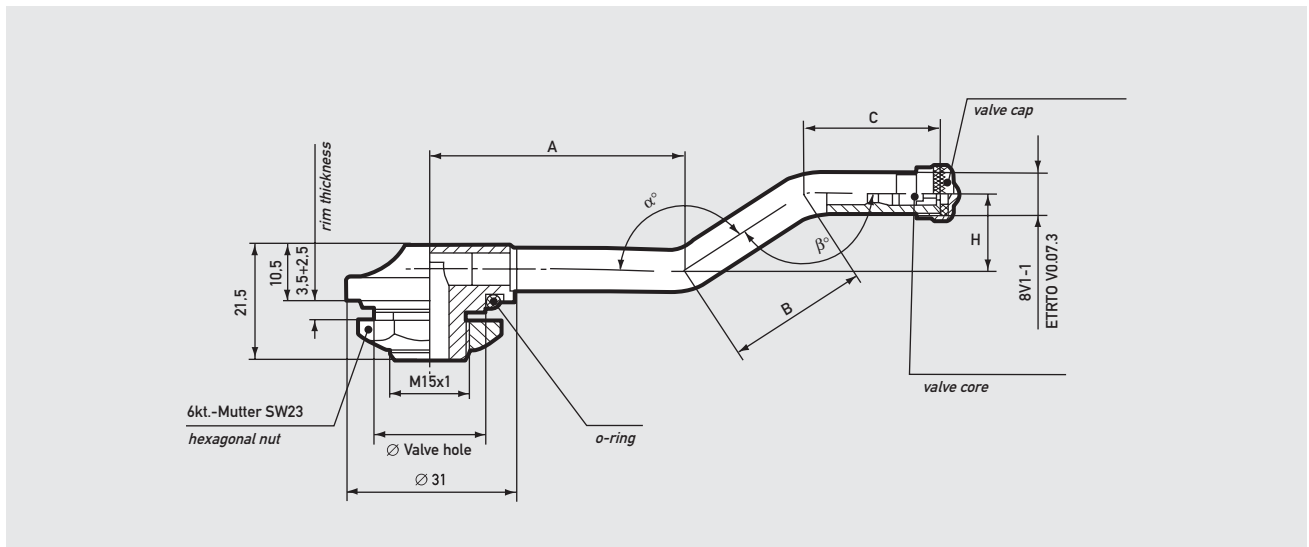

Nr.	Description	A mm	B mm	C mm	α°	Felgendicke rim thickness	Ref. Nr.	ETRTO Nr.	Ventilloch ∅ Valve hole dia.	Pack
<b>77.0723</b>	44,5MSF20,5	36,5	44,5	14	110	4,5 – 11	1089	V3.15.1	20,5 + 0,5	10
<b>77.0733</b>	44,5MSF20,5	26,5	44,5	11	95	3 – 6,5	1051	V3.15.2	20,5 + 0,5	10

Anzugs-Drehmoment 25 – 31 Nm  
 Installation torque 25 – 31 Nm



For wheels with special flat base rims, valve hole dia. 20.5 mm in conjunction with PILOTE "X" tubeless tyres. (on tyre side, flat countersunk, at least dia. 27 mm and rim thickness up to 6 mm)

**77.0963**

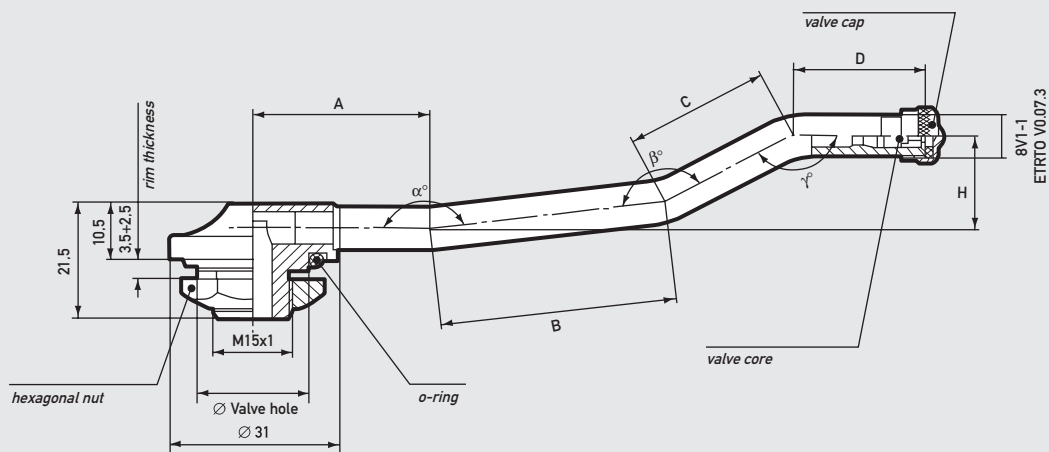


Nr.	Description	A mm	B mm	C mm	H mm	$\alpha^\circ$	$\beta^\circ$	Ref. Nr.	ETRTO Nr.	Ventilloch $\varnothing$ Valve hole dia.	Pack
77.1033	65MSF20,5	36	29			150		1013	V3.16.1	20,5 + 0,5	10
77.1043	75MSF20,5	28	47			160				20,5 + 0,5	10
77.1063	127MSF20,5	80	47			160				20,5 + 0,5	10
77.1073	140MSF20,5	82	58			150				20,5 + 0,5	10
77.1083	140MSF20,5	67	73			165				20,5 + 0,5	10
77.1093	160MSF20,5	83	77			165				20,5 + 0,5	10
77.0923	100MSF20,5	48	26	24,5	14	146	146	915		20,5 + 0,5	10
77.0933	115MSF20,5	64	26	24,5	14	146	146	907	V3.18.1	20,5 + 0,5	10
77.0953	120MSF20,5	51	29	37,5	19,5	138	138	1116	V3.18.4	20,5 + 0,5	10
77.0963	130MSF20,5	81	26	24,5	14,5	146	146	920	V3.18.2	20,5 + 0,5	10
77.0973	135MSF20,5	68	29	37,5	19,5	138	138	1117	V3.18.5	20,5 + 0,5	10

Installation torque 25 – 31 Nm



For wheels with special flat base rims, valve hole dia. 20.5 mm in conjunction with PILOTE "X" tubeless tyres. (on tyre side, flat countersunk, at least dia. 27 mm and rim thickness up to 6 mm)

**77.0753**


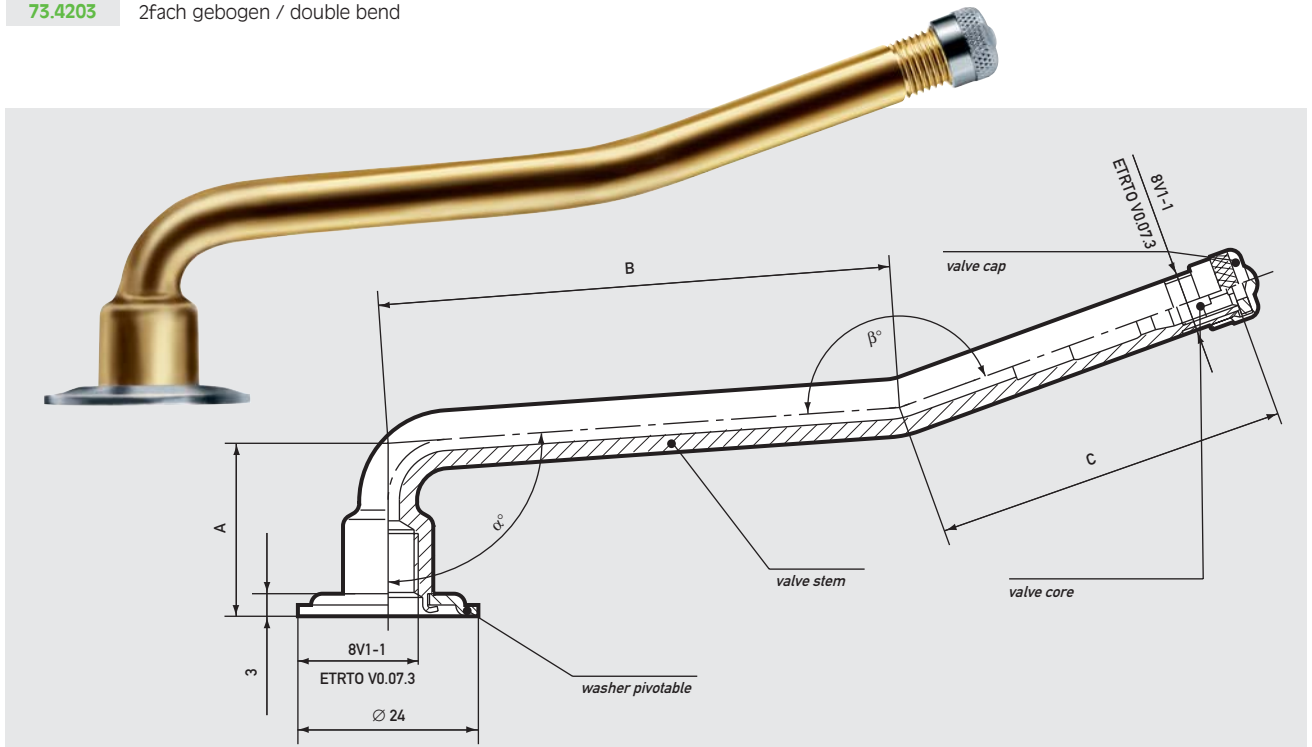
Artikel Nr.	Description	A mm	B mm	C mm	D mm	H mm	$\alpha^\circ$	$\beta^\circ$	$\gamma^\circ$	Ref. Nr.	ETRTO Nr.	Ventilloch $\varnothing$ Valve hole dia.	Pack
<b>77.0863</b>	130MSF20,5	98,5	31,5				188			909	V3.17.1	20,5 + 0,5	10
<b>77.0883</b>	147MSF20,5	116	31,5				188			963	V3.17.2	20,5 + 0,5	10
<b>77.0753</b>	127MSF20,5	33,5	42	25	24,5	20	173	152	145	1504	V3.19.2	20,5 + 0,5	10
<b>77.0763</b>	140MSF20,5	33,5	58	24	24,5	17	173	162	155	1505	V3.19.3	20,5 + 0,5	10
<b>77.0773</b>	140MSF20,5	33,5	58	24	24,5	21,5	173	154	147	911	V3.19.1	20,5 + 0,5	10

Installation torque 25 – 31 Nm

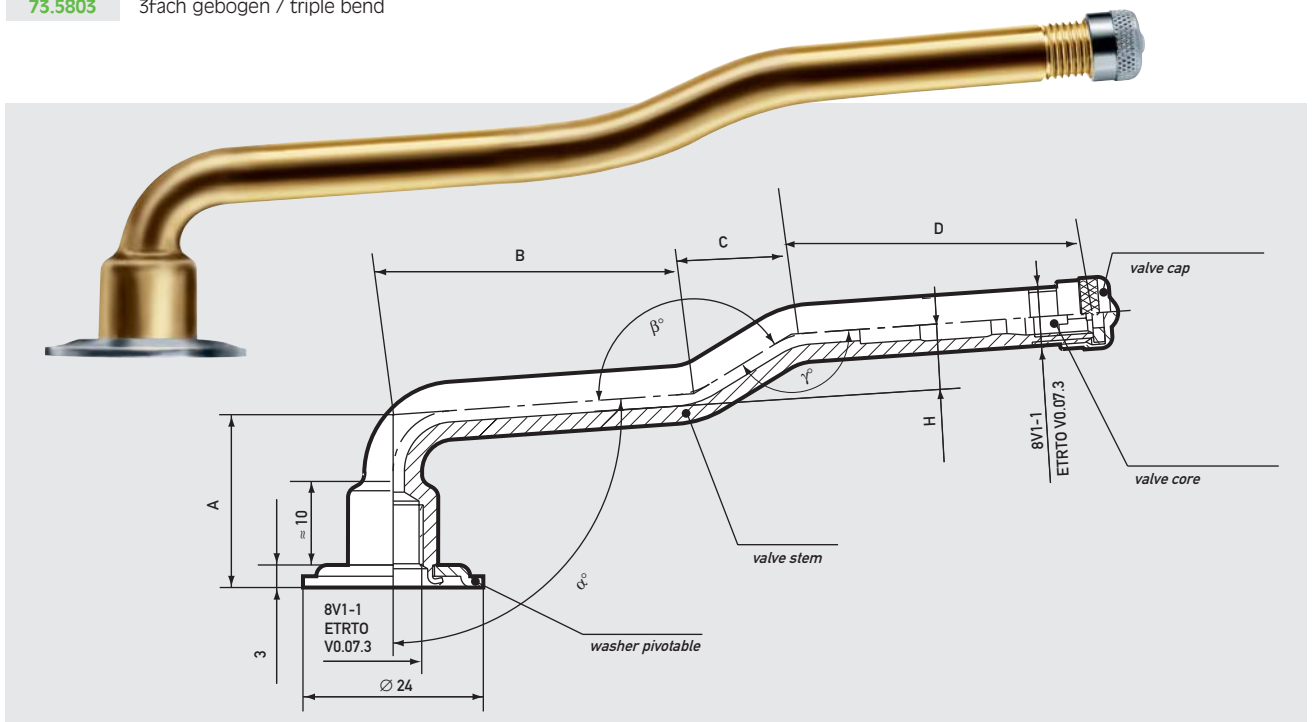


At each tyre disassembling  
please change the gasket!

**73.4203** 2fach gebogen / double bend



**73.5803** 3fach gebogen / triple bend

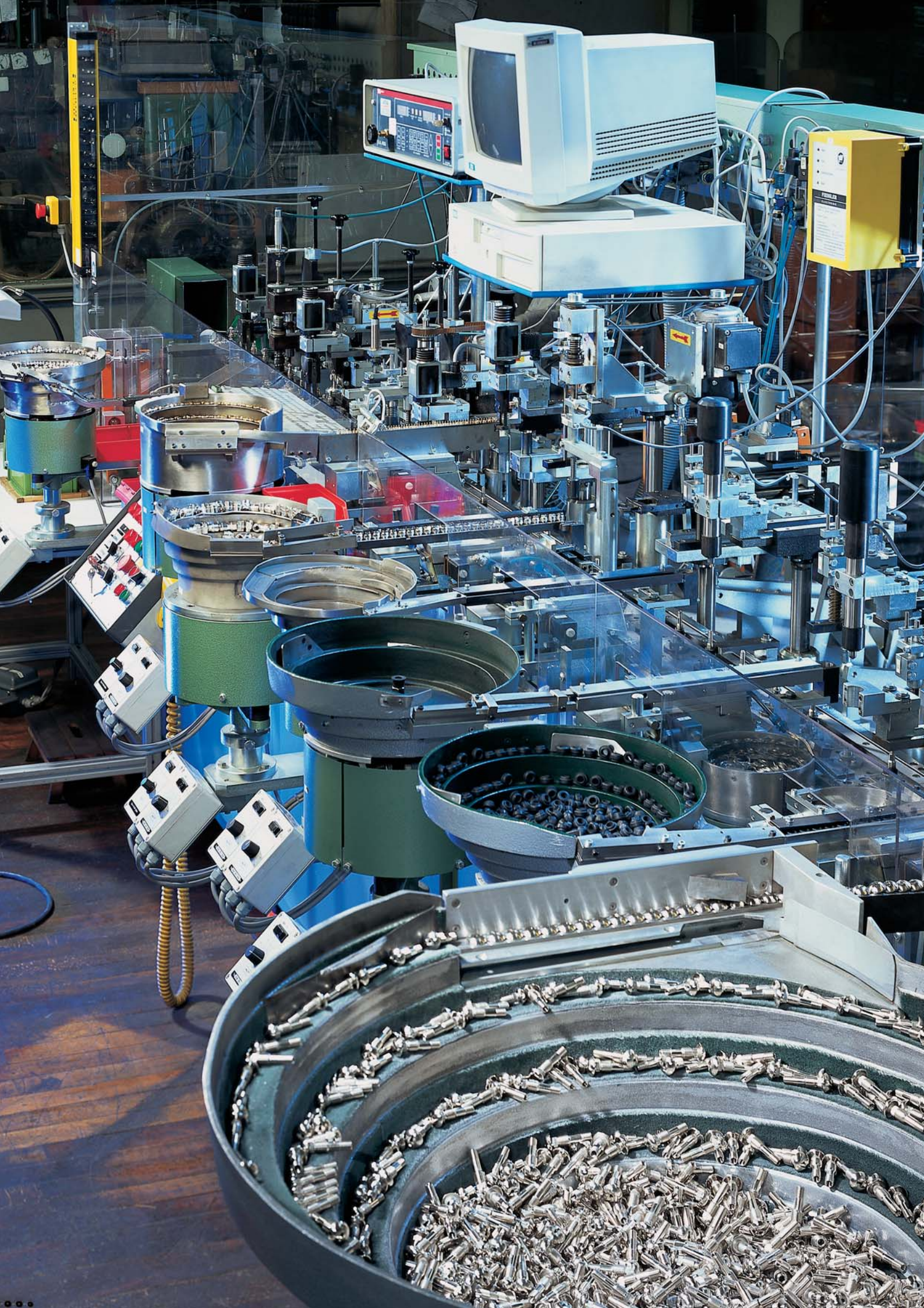


Inner tube valves "D" with screw-on base 8V1-1


 At each tyre disassembling  
please change the gasket!

Nr.	Description	A mm	B mm	C mm	D mm	H mm	$\alpha^\circ$	$\beta^\circ$	$\gamma^\circ$	Ref. Nr.	DIN Nr.	ETRTO Nr.	Pack
<b>1fach gebogen / single bend</b>													
73.0163	50D	25,5	43				120			570		V3.02.2	10
73.0173	50D	23,5	47,5				90			1003		V3.02.5	10
73.0603	60D	23,5	60				94				7775T2	V3.02.19	10
73.0613	60D	36	44,5				95			576		V3.02.3	10
73.0623	60D	25,5	56,5				95			750			10
73.0843	64D	45	43				90			571			10
73.0863	64D	42,5	44,5				110						10
73.1103	70D	23	70				94						10
73.1603	75D	23	75				94				7775T2		10
73.1613	75D	25,5	71,5				100			1188		V3.02.7	10
73.1623	75D	32,5	66,5				90			1012		V3.02.23	10
73.2113	80D	23,5	79,5				90			1005			10
73.2303	85D	23,5	84,5				94						10
73.2673	90D	23,5	89,5				94			1337		V3.02.8	10
73.3103	95D	23	95				94				7775T2		10
73.3613	100D	23,5	99,5				94			1156		V3.02.9	10
73.4103	105D	23	105				94				7775T2		10
73.4113	105D	25,5	102,5				90			1113			10
73.5103	115D	23,5	115				94			1021	7775T2	V3.02.10	10
73.5603	127D	23	127				94				7775T2		10
73.5623	127D	35	117,5				94			791			10
73.6103	135D	23,5	132				94			1157		V3.02.12	10
73.6603	140D	23,5	138,5				94			1158	7775T2	V3.02.14	10
73.6923	146D	23,5	145,5				94			1338		V3.02.15	10
73.7113	150D	23,5	149,5				90			1107		V3.02.16	10
73.7613	155D	23,5	156,5				90			752		V3.02.17	10
<b>double bend</b>													
73.0703	60D	23,5	30	29,5			90	154		1347			10
73.1253	70D	23,5	32	37			90	138		578		V3.04.1	10
73.1723	75D	23	28	47			94	164			7775T2		10
73.2213	80D	23,5	38,5	43			90	167		1198			10
73.2233	80D	23,5	38	41,5			90	153		579		V3.04.2	10
73.2253	85D	23,5	42	38,5			90	120		305			10
73.3203	95D	23	48	47			94	164			7775T2		10
73.3713	100D	23	59	38,5			94	163		781		V3.04.3	10
73.3723	100D	23,5	47	53			90	154				V3.04.10	10
73.4203	105D	23	58	47			94	164			7775T2	V3.04.24	10
73.4713	110D	23,5	47	63,5			90	154		1342		V3.04.11	10
73.5203	115D	23	68	47			94	164			7775T2		10
73.5213	115D	23	74	40			94	144		782		V3.04.4	10
73.5443	120D	23	76	47,5			90	153		755		V3.04.5	10
73.5703	127D	23	80	47			94	164			7775T2		10
73.6223	135D	23	86	47,5			90	153		734		V3.04.6	10
73.6703	140D	23	83	57			94	154			7775T2		10
<b>triple bend</b>													
73.2823	90D	23,5	30,5	19,5	35,5	17	90	139	139	922		V3.06.1	10
73.3303	95D	23	40	13	40	7	94	153	153		7775T2		10
73.3813	100D	23,5	44,5	12	37,5	17	90	125	125	580		V3.06.2	10
73.4303	105D	23	50	13	40	7	94	153	153		7775T2	V3.06.14	10
73.5303	115D	23	60	13	40	7	94	153	153		7775T2	V3.06.15	10
73.5473	120D	23,5	46	20,5	47,5	17	90	140	140	581		V3.06.3	10
73.5803	127D	23	62	13	50	7	94	153	153		7775T2	V3.06.16	10
73.5823	127D	26,5	71,5	19,5	25,5	11,5	90	150	150	1473		V3.06.12	10
73.6333	135D	35,5	48	20,5	48	17	95	140	140	610			10
73.6343	135D	23,5	62,5	19,5	49	17	90	139	139	582		V3.06.5	10
73.6353	135D	27,5	61,5	14,5	50,5	7,5	94	153	153	1123		V3.06.8	10
73.6803	140D	23	75	13	50	7	94	153	153		7775T2	V3.06.17	10
73.6833	140D	23	79,5	19,5	37,5	17	90	139	139	819		V3.06.6	10

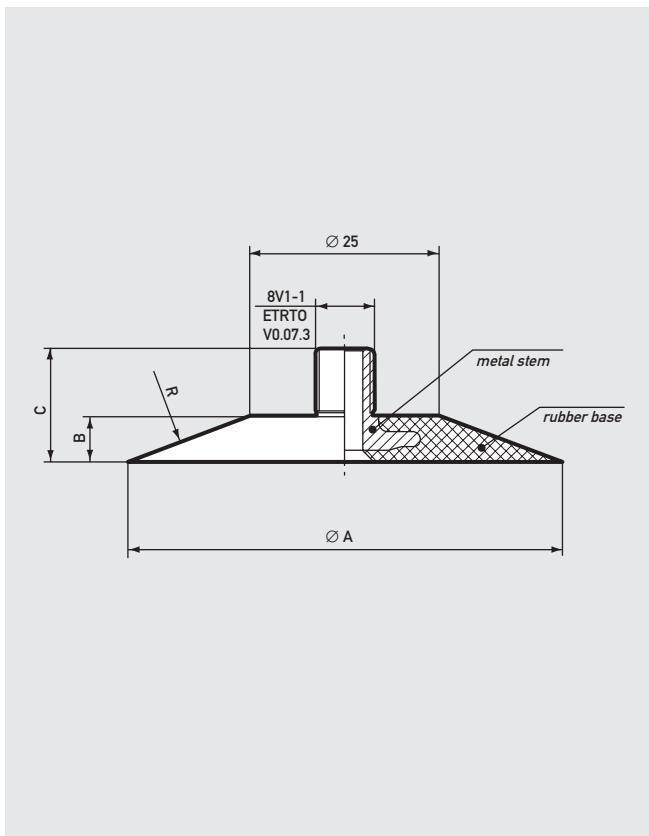





**33.9800**

**03.0753**

**32.6340**

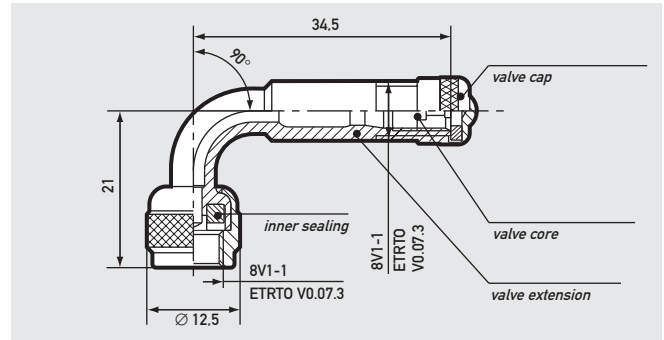
**32.6545**


Nr.	Description	$\varnothing A$ mm	B mm	C mm	R mm	Ref Nr.	DIN Nr.	ETRTO Nr.	Pack
<b>03.0753</b>	Gummi-Dichtung 7,8-25-2,5 Rubber grommet							V9.05.1	20
<b>32.6340</b>	Gummifuß 8V1-1-57BYG Rubber base	57	6	15		1548		V3.08.4	10
<b>32.6540</b>	Gummifuß 8V1-1-70BYG Rubber base	70	7	16			7775T2	V3.08.2	10
<b>32.6545</b>	Gummifuß 8V1-1-70 Knok. BYG Rubber base	70	7	16	30			V3.08.2	10
<b>32.7040</b>	Gummifuß 8V1-1-80 Knok. BYG Rubber base	80	8	17	80	575	7775T2	V3.08.3	10
<b>33.9800</b>	Adapter FE-8V1-1: MA-Vg12								10

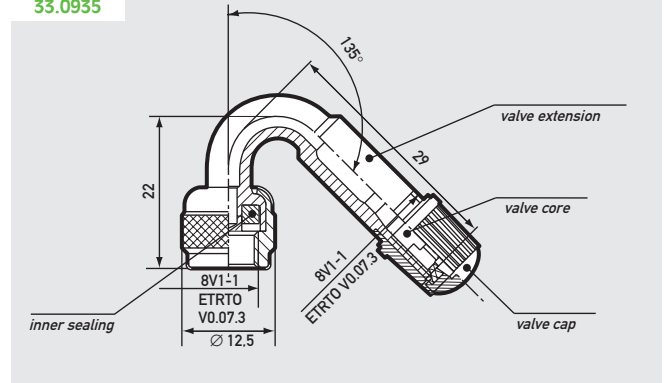
On request article available also in natural rubber.



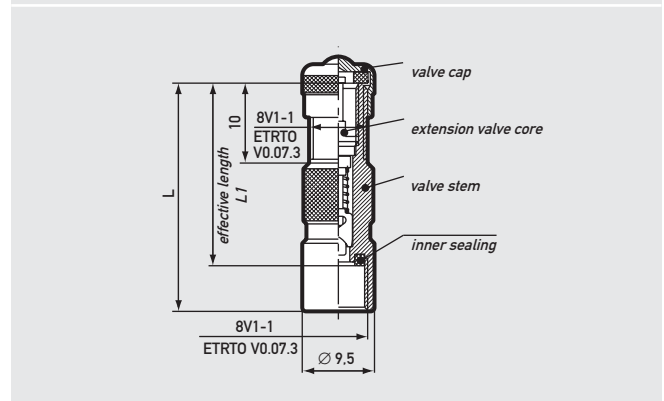
33.0903



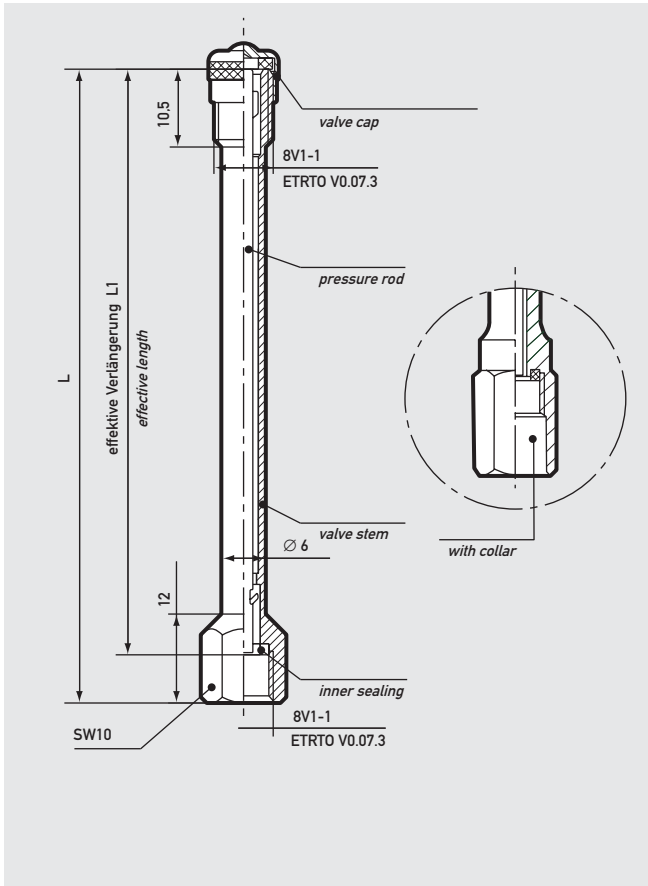
33.0935



33.1103



Nr.	Description	Länge L Length	Eff. Länge L1 Eff. Length	Pack
33.0853	Ventilverlängerung Valve extension	92	77	10
33.0903	Ventilverlängerung 90° Valve extension 90°			10
33.0935	Ventilverlängerung 135° Valve extension 135°			10
33.1103	Ventilverlängerung Valve extension	30	24	10
33.1203	Ventilverlängerung Valve extension	40	34	10

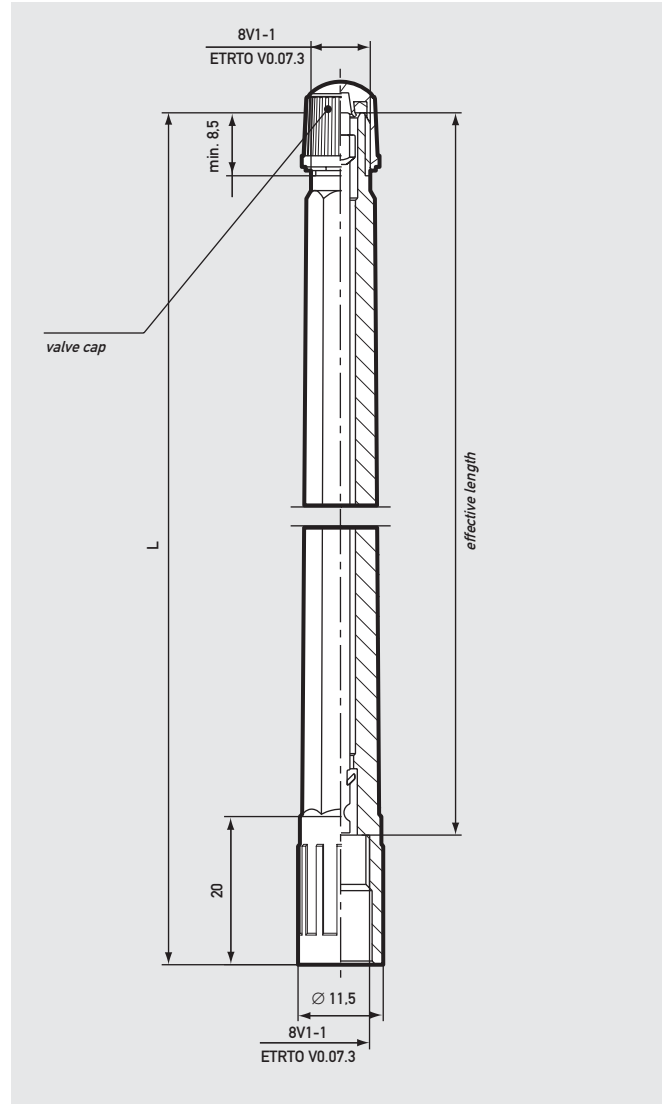

**33.1703**

**33.2903**


Nr.	Description	Length	Eff. Länge L1 Eff. Length	Pack
<b>ohne Stützrohr / without collar</b>				
<b>33.1403</b>	Ventilverlängerung Valve extension	60	54	10
<b>33.1703</b>	Ventilverlängerung Valve extension	84	78	10
<b>33.2003</b>	Ventilverlängerung Valve extension	100	94	10
<b>mit Stützrohr / with collar</b>				
<b>33.1303</b>	Ventilverlängerung Valve extension	41	27	10
<b>33.2603</b>	Ventilverlängerung Valve extension	115	100	10
<b>33.2703</b>	Ventilverlängerung Valve extension	124,5	110	10
<b>33.2883</b>	Ventilverlängerung Valve extension	142	127	10
<b>33.2903</b>	Ventilverlängerung Valve extension	177,5	153	10

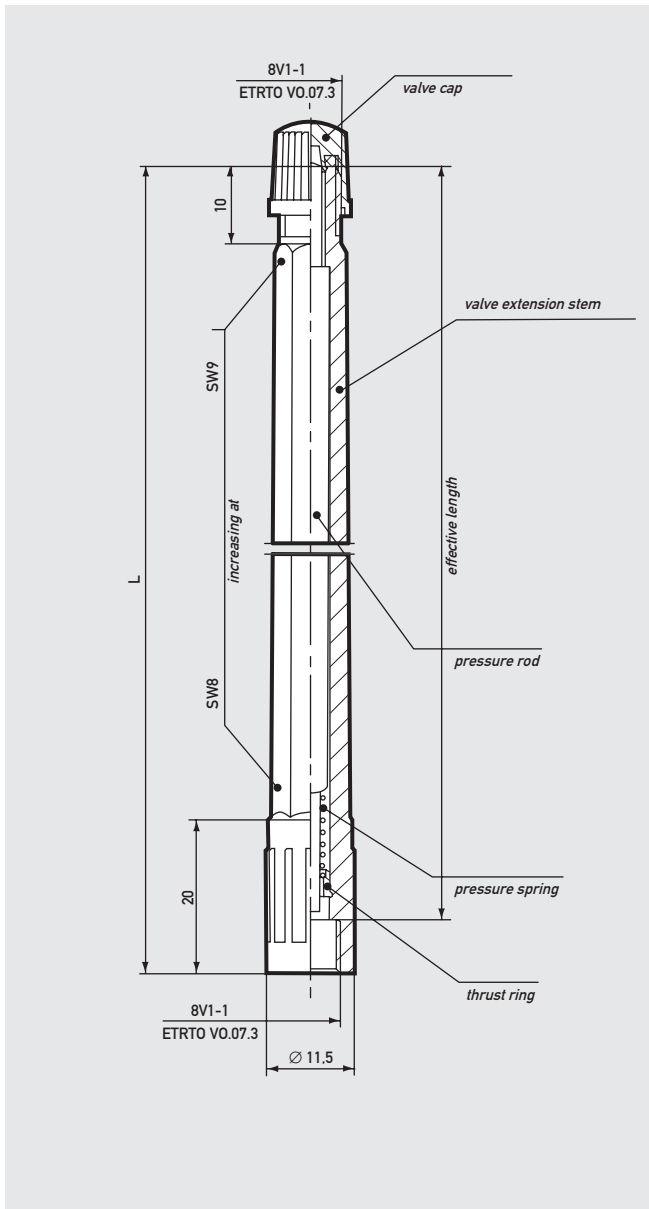


38.2605



Nr.	Description	Length	Eff. Length	Pack
<b>mit Stützrohr / with collar</b>				
38.1305	Ventilverlängerung Valve extension	51	33,5	50
38.1505	Ventilverlängerung Valve extension	71	53,5	50
38.1805	Ventilverlängerung Valve extension	95	77,5	50
38.2605	Ventilverlängerung Valve extension	115	97,5	50

Nr.	Description	Length	Eff. Länge L1 Eff. Length	Pack
<b>mit Stützrohr / with collar</b>				
38.2705	Ventilverlängerung Valve extension	125	107,5	50
38.2805	Ventilverlängerung Valve extension	150	132,5	50
38.2905	Ventilverlängerung Valve extension	170	152,5	50
38.3005	Ventilverlängerung Valve extension	180	162,5	50

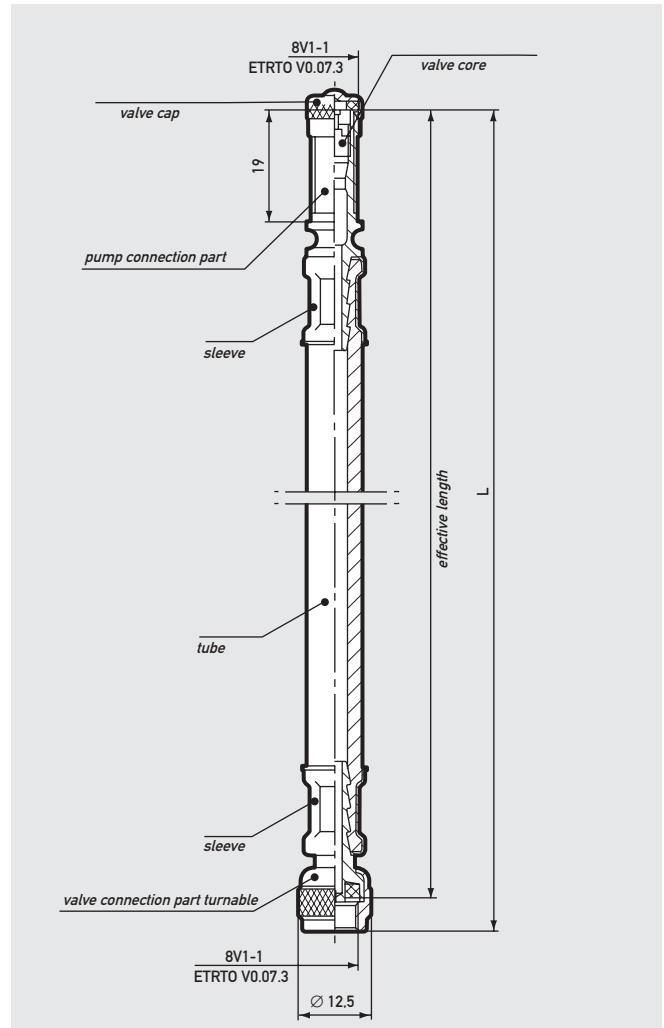

**38.2435**


Nr.	Description	Length	Eff. Länge L1 Eff. Length	Pack
<b>ohne Stützrohr / without collar</b>				
<b>38.2405</b>	Ventilverlängerung Valve extension	85	78	50
<b>38.2435</b>	Ventilverlängerung Valve extension	105	98	50
<b>38.2465</b>	Ventilverlängerung Valve extension	115	108	50



When mounting extensions, make sure the rim hole is free from sharp edges which might damage the extension while driving.

**37.0028**



Nr.	Description	Länge L Length	Eff. Länge L1 Eff. Length	Ref. Nr.	Pack Nr.
<b>hochflexibel / highly flexible</b>					
<b>37.0008</b>	Ventilverlängerung Valve extension	75	69	980	10
<b>37.0028</b>	Ventilverlängerung Valve extension	105	99	795	10
<b>37.0168</b>	Ventilverlängerung Valve extension	125	119	1325	10
<b>37.0188</b>	Ventilverlängerung Valve extension	140	134	1145	10
<b>37.0198</b>	Ventilverlängerung Valve extension	160	154	1488	10
<b>37.0228</b>	Ventilverlängerung Valve extension	180	174	723	10
<b>37.0248</b>	Ventilverlängerung Valve extension	210	204	743	10

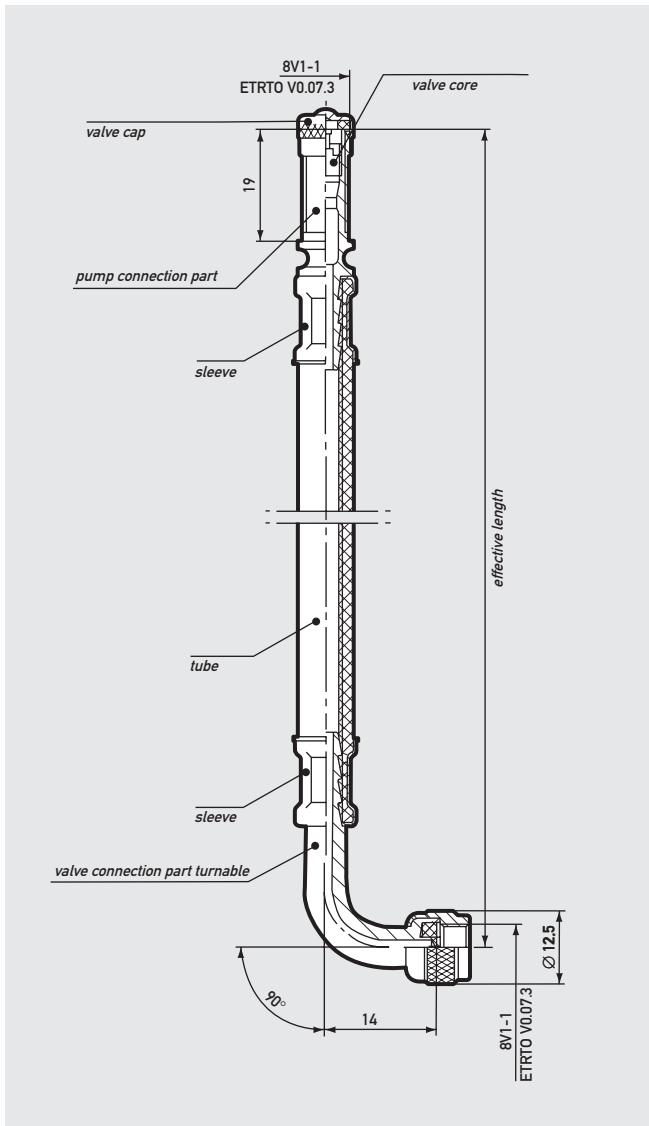
Artikel Nr.	Bezeichnung Description	Länge L Length	Eff. Länge L1 Eff. Length	Ref. Nr.	Pack Nr.
<b>hochflexibel / highly flexible</b>					
<b>37.0288</b>	Ventilverlängerung Valve extension	270	264	940	10
<b>37.0328</b>	Ventilverlängerung Valve extension	335	329	270	10
<b>37.0388</b>	Ventilverlängerung Valve extension	370	364	873	10
<b>37.0408</b>	Ventilverlängerung Valve extension	430	424	797	10
<b>37.0428</b>	Ventilverlängerung Valve extension	475	469	721	10
<b>37.0438</b>	Ventilverlängerung Valve extension	695	689	722	10

Note: Valve extensions also available in "MICHELIN" version.

Pressure range 20 bar



When mounting extensions, make sure the rim hole is free from sharp edges which might damage the extension while driving.


**37.8578**


Nr.	Description	Eff. Length	Nr.	Pack
<b>37.8578</b>	Ventilverlängerung Valve extension	140	1011	10
<b>37.8638</b>	Ventilverlängerung Valve extension	210	916	10
<b>37.8688</b>	Ventilverlängerung Valve extension	280	1422	10
<b>37.8798</b>	Ventilverlängerung Valve extension	360	1104	10
<b>37.8868</b>	Ventilverlängerung Valve extension	460	1511	10

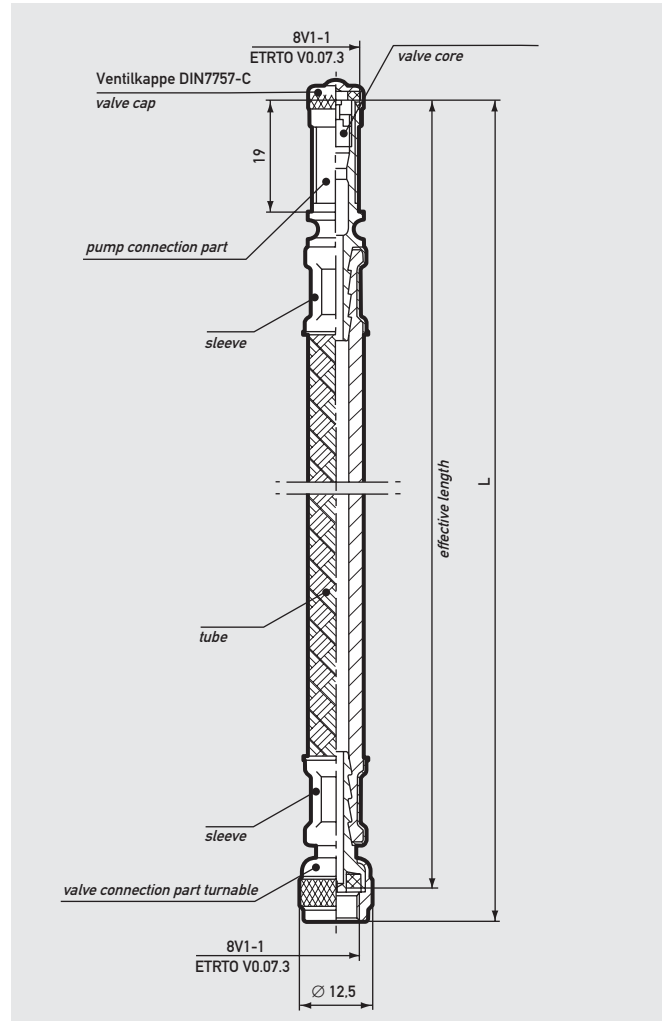
Pressure range 20 bar





When mounting extensions, make sure the rim hole is free from sharp edges which might damage the extension while driving.

**33.3008**



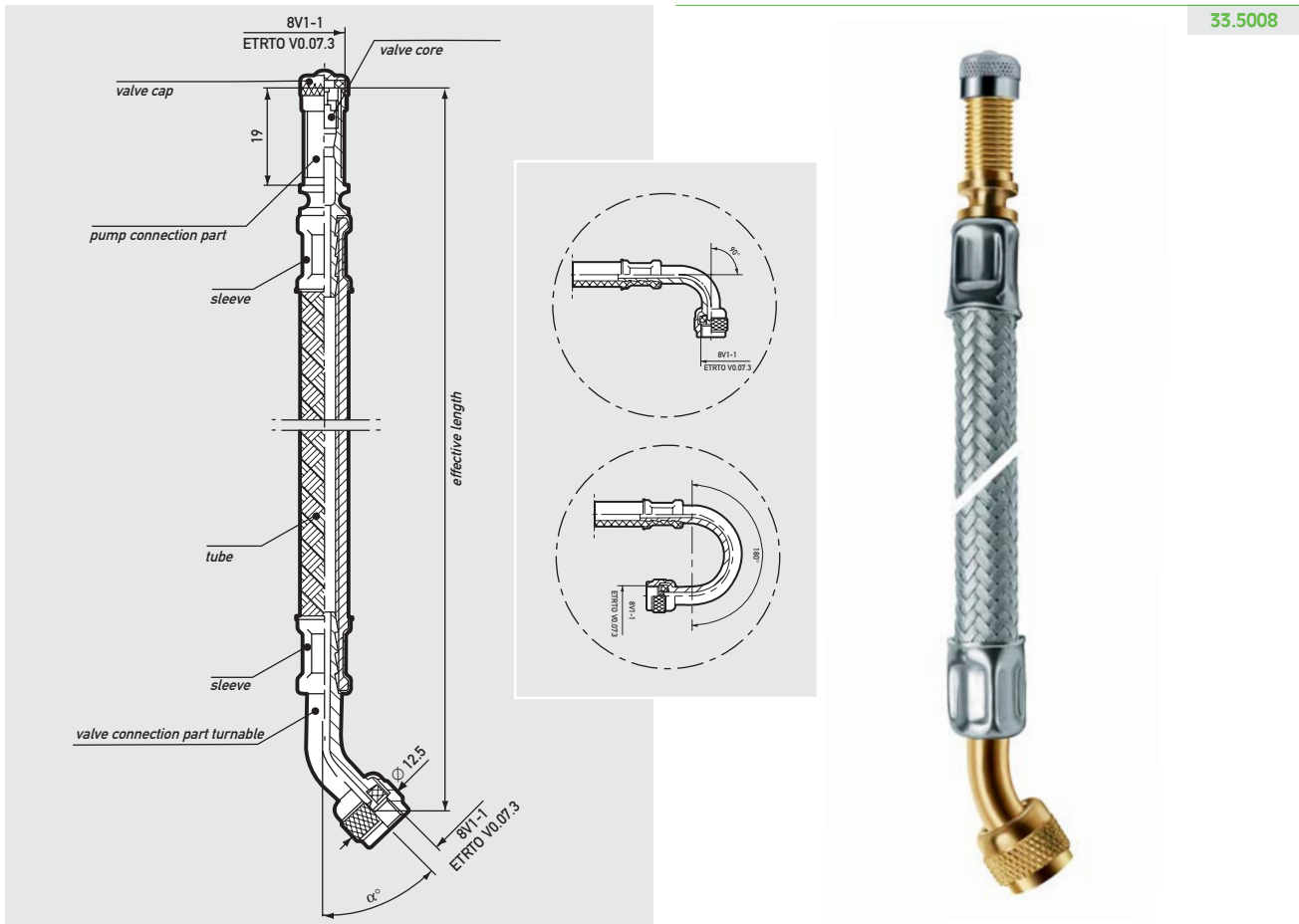
Nr.	Description	Length	Eff. Length	Pack
<b>flexibel / flexible</b>				
<b>33.3008</b>	Ventilverlängerung Valve extension	125	119	20
<b>33.3108</b>	Ventilverlängerung Valve extension	150	144	20
<b>33.3208</b>	Ventilverlängerung Valve extension	175	169	20
<b>33.3268</b>	Ventilverlängerung Valve extension	180	174	20
<b>33.3308</b>	Ventilverlängerung Valve extension	200	194	20
<b>33.3328</b>	Ventilverlängerung Valve extension	210	204	20

Nr.	Description	Length	Eff. Length	Pack
<b>flexibel / flexible</b>				
<b>33.3408</b>	Ventilverlängerung Valve extension	250	244	20
<b>33.3508</b>	Ventilverlängerung Valve extension	300	294	20
<b>33.3608</b>	Ventilverlängerung Valve extension	350	344	20
<b>33.3708</b>	Ventilverlängerung Valve extension	400	394	20
<b>33.3808</b>	Ventilverlängerung Valve extension	450	444	20
<b>33.3908</b>	Ventilverlängerung Valve extension	500	494	20

Pressure range 20 bar



When mounting extensions, make sure the rim hole is free from sharp edges which might damage the extension while driving.

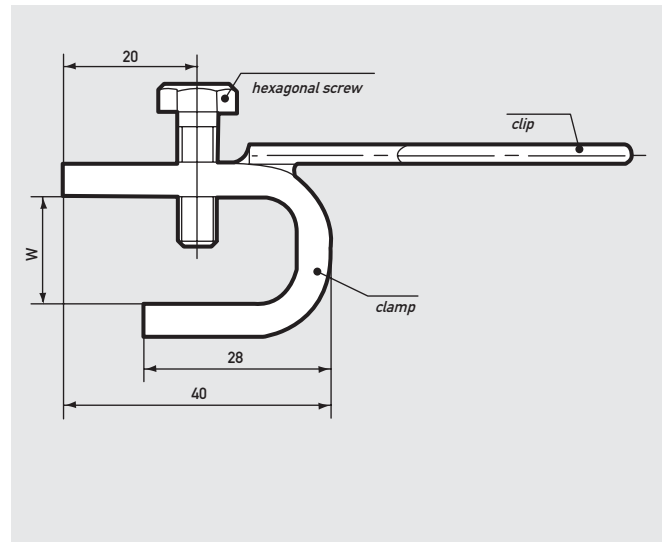


Nr.	Description	Eff. Length	α	Pack	Nr.	Description	Eff. Length	α	Pack
<b>flexibel / flexible</b>					<b>flexibel / flexible</b>				
33.5008	Ventilverlängerung Valve extension	125	45°	20	33.6108	Ventilverlängerung Valve extension	150	90°	20
33.5108	Ventilverlängerung Valve extension	150	45°	20	33.6208	Ventilverlängerung Valve extension	175	90°	20
33.5208	Ventilverlängerung Valve extension	175	45°	20	33.6308	Ventilverlängerung Valve extension	200	90°	20
33.5308	Ventilverlängerung Valve extension	200	45°	20	33.6408	Ventilverlängerung Valve extension	250	90°	20
33.5408	Ventilverlängerung Valve extension	250	45°	20	33.6508	Ventilverlängerung Valve extension	300	90°	20
33.5608	Ventilverlängerung Valve extension	350	45°	20					
33.5708	Ventilverlängerung Valve extension	400	45°	20	33.8258	Ventilverlängerung Valve extension	270	180°	20
33.5808	Ventilverlängerung Valve extension	450	45°	20	33.8268	Ventilverlängerung Valve extension	335	180°	20
33.5908	Ventilverlängerung Valve extension	500	45°	20	33.8278	Ventilverlängerung Valve extension	370	180°	20

Pressure range 20 bar



**37.7700**

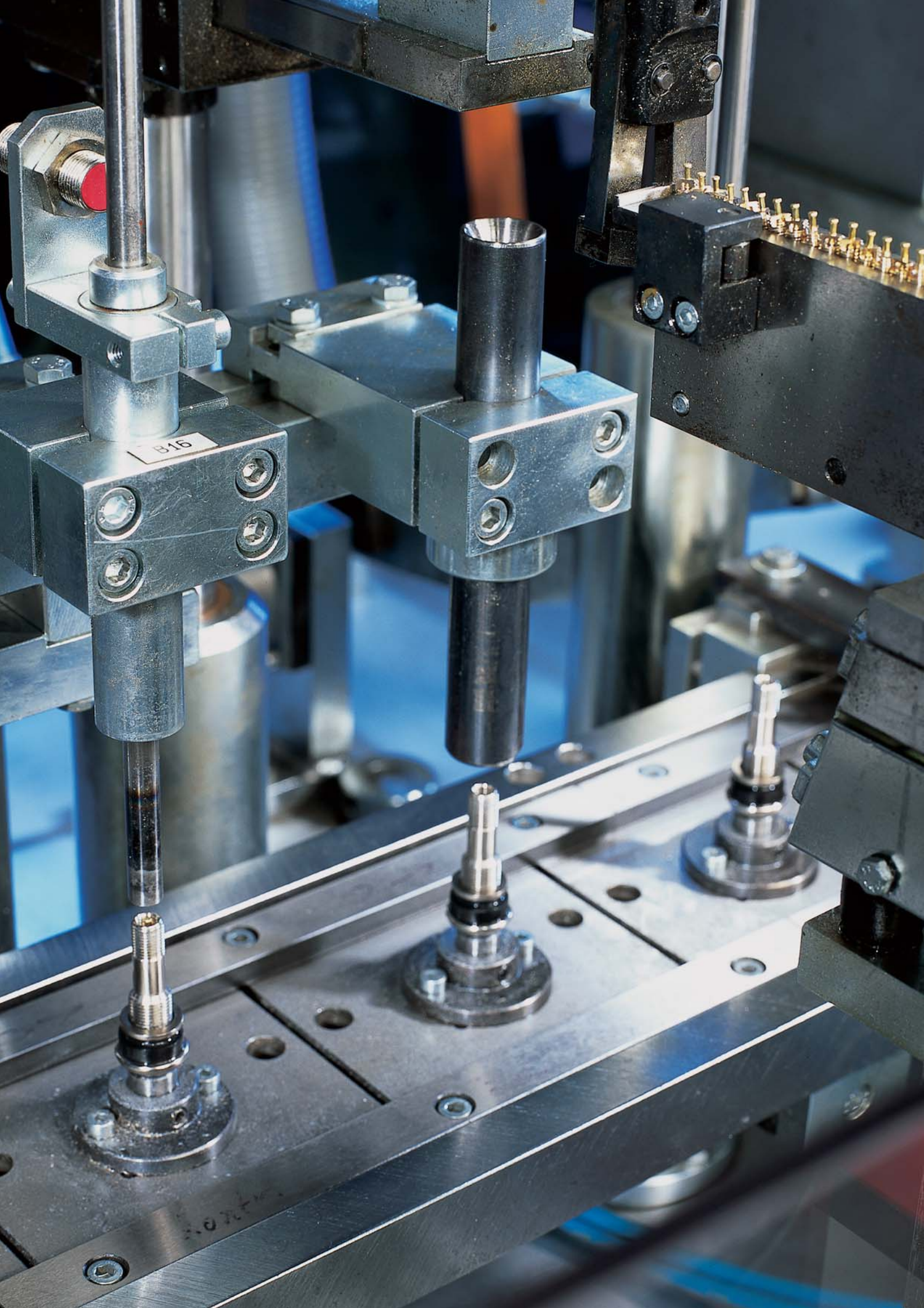


**37.7710**



Nr.	Description	W	Ref. Nr.	Pack
<b>37.7700°</b>	Halter für Verlängerungen Extension holder	16	1144	100
<b>37.7702°</b>	Halter für Verlängerungen, weit Extension holder, wide	26		100
<b>37.7710°</b>	Halter für Verlängerungen, doppelt Extension holder, double		1431	100

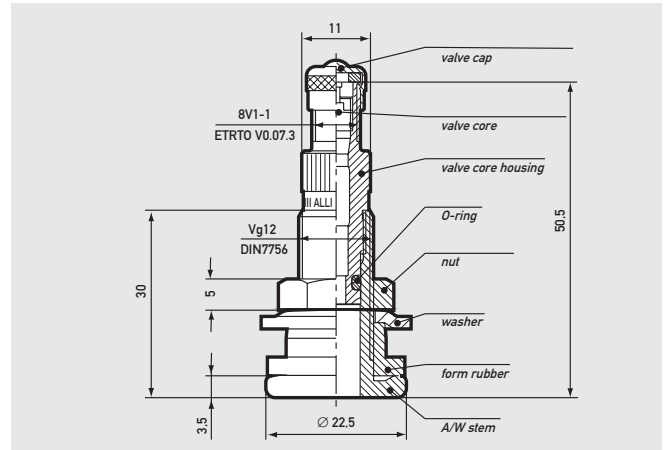
Zinc-plated



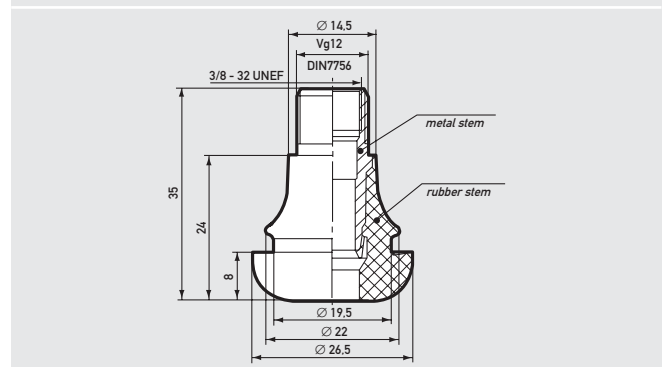


Air/water tyre valves/inner tube valves for agricultural equipment

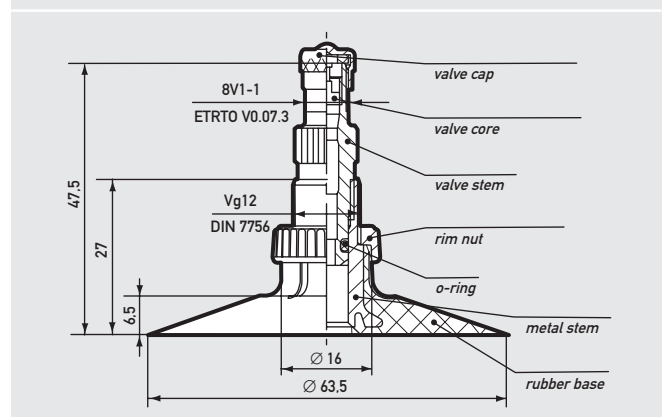
**54.4503**



**59.4010**

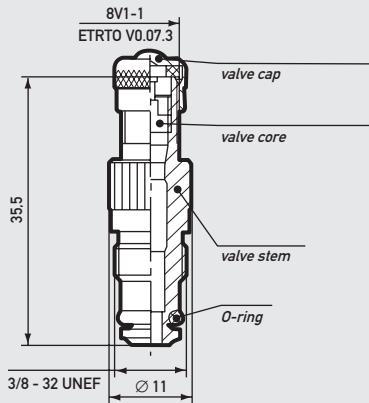
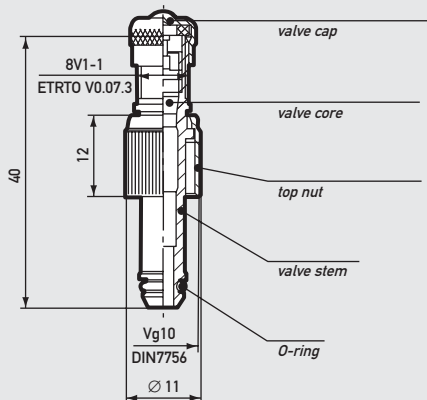


**53.4043**



Nr.	Description	Nr.	Nr.	Nr.	Valve hole dia.	Pack
<b>53.4043</b>	Luft/Wasser Felgenventil 47GW Air/water rim valve		218A	V4.01.1	15,7 + 0,4	20
<b>54.4503</b> <sup>^</sup>	Luft/Wasser Felgenventil 50MSW 15,7 Air/water rim valve	78026	618A	V5.01.1	15,7 + 0,4	20
<b>59.4010</b>	Luft/Wasser Felgenventil Gummi 35GSW 15,7 Air/water rim valve rubber				15,7 + 0,4	20

Installation torque 5 – 8 Nm


**32.4703**

**32.4603**

**32.2215**

**32.2200**


Nr.	Description	Nr.	Nr.	Pack
<b>32.2200</b>	Felgenmutter Rim nut	LN10	V9.14.1	100
<b>32.2215</b>	Felgenmutter, Kunststoff Rim nut, plastic	LN10	V9.14.1eq	100
<b>32.2216</b>	Felgenmutter, Kunststoff schwarz Rim nut, plastic black	LN10	V9.14.1eq	100
<b>32.4603*</b>	Einsatzstück, alt Valve core housing, old	CH1		50
<b>32.4703</b>	Einsatzstück Valve core housing	CH3	V4.02.1	50

\* Nickel-plated brass



33.9091



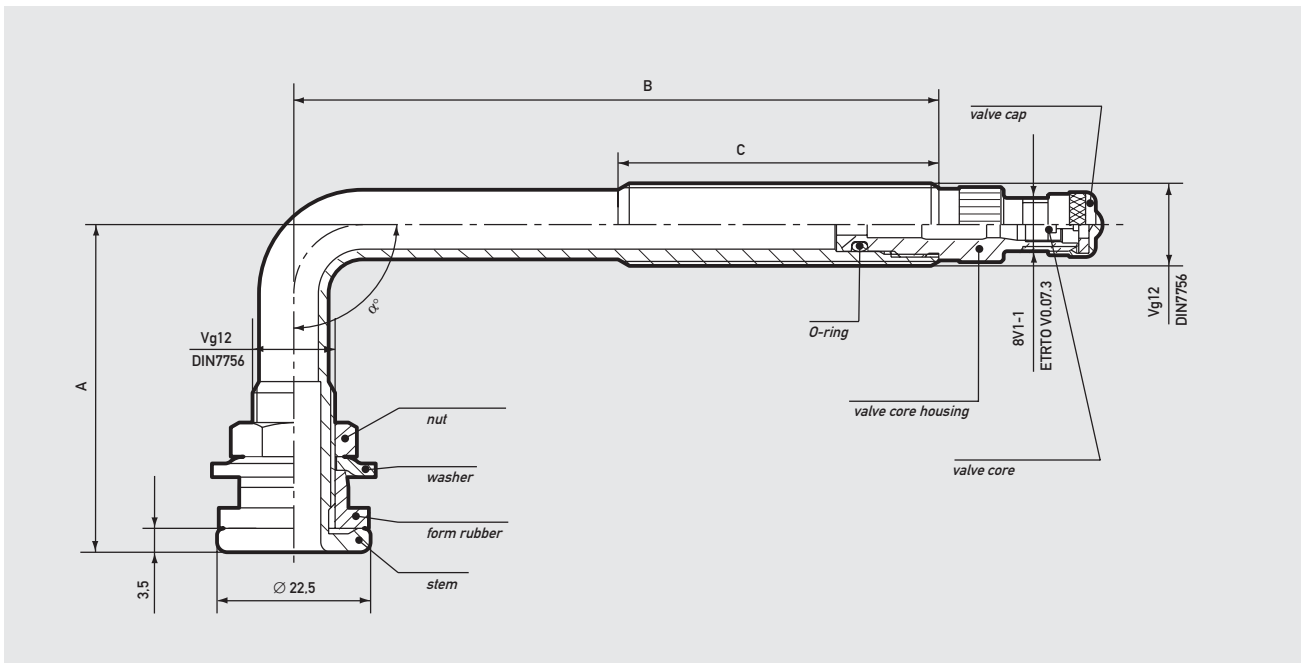
33.9181



Nr.	Description
<b>33.9091*</b>	Füllstockgarnitur komplett bestehend aus: Air/water adapter set contains:
<b>03.3365</b>	1/3 Schlauchverschraubung 15/13 R3/4 1/3 Hose coupling M 15/13 RE/4
<b>33.9002*</b>	ZW-Füllstock FE:R3/4 ZW air/water adapter FE:RE3/4
<b>33.9051*</b>	Adapter FE:8V1-1 – MA: VG 10
<b>33.9251*</b>	Adapter FE:VG10 – MA: VG 12
<b>33.9181*</b>	Wasserboy-Garnitur komplett bestehend aus: Waterboy set complete contains:
<b>03.3370*</b>	2/3 Schlauchverschraubung F 15/13 R3/4 2/3 Hose coupling F 15/13 R3/4
<b>32.4710</b>	Luftadapter Air adapter
<b>33.9101*</b>	Wasserfüllarmatur MA: G3/4 Air/water fittings
<b>33.9251*</b>	Adapter FE:VG10 – MA: VG 12

\* Nickel-plated brass

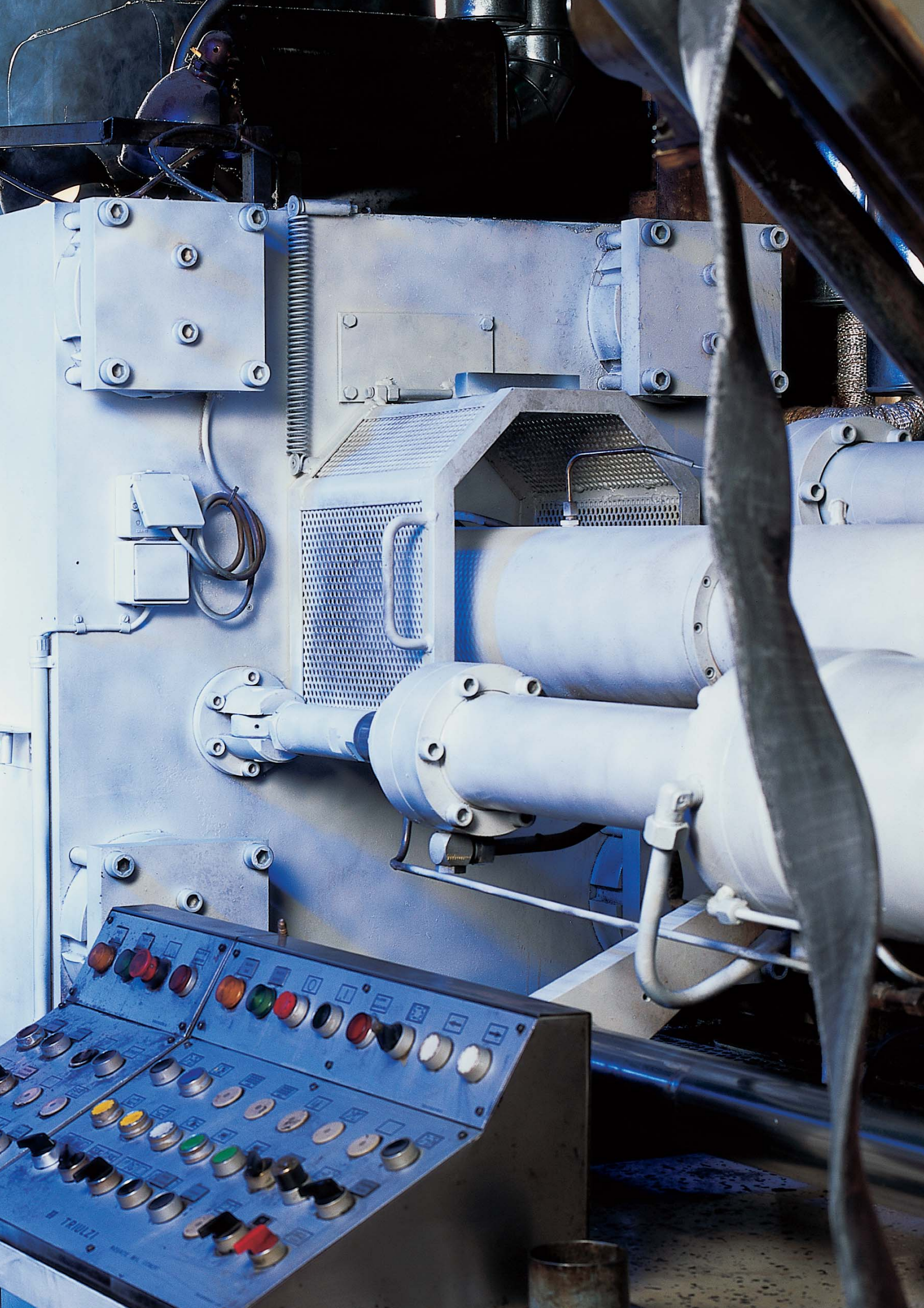

**54.6503**

**32.8501**


Artikel	Description	A mm	B mm	C mm	D mm	$\alpha^\circ$	TR Nr.	ETRTO Nr.	Ventilloch $\varnothing$ Valve hold dia.	Anzugs-Drehmomente Installation torque	Pack
<b>32.8501</b>	Ventillochstopfen 15,7 mm Valve hole plug									4 – 6 Nm	20
<b>54.5503</b>	Luft/Wasser Felgenventil 75 MSW 115 Air/water rim valve	42,5	78,5	54,5	40,5	115	621A	V5.02.1	15,7 + 0,4	5 – 8 Nm	20
<b>54.6503</b>	Luft/Wasser Felgenventil 115 MSW 90 Air/water rim valve	48	118,5	94,5	47	90	622A	V5.02.2	15,7 + 0,4	5 – 8 Nm	20
<b>54.7503</b>	Luft/Wasser Felgenventil 57 MSW 115 Air/water rim valve	42,5	60,5	36,5	22,5	115	623A	V5.02.3	15,7 + 0,4	5 – 8 Nm	20

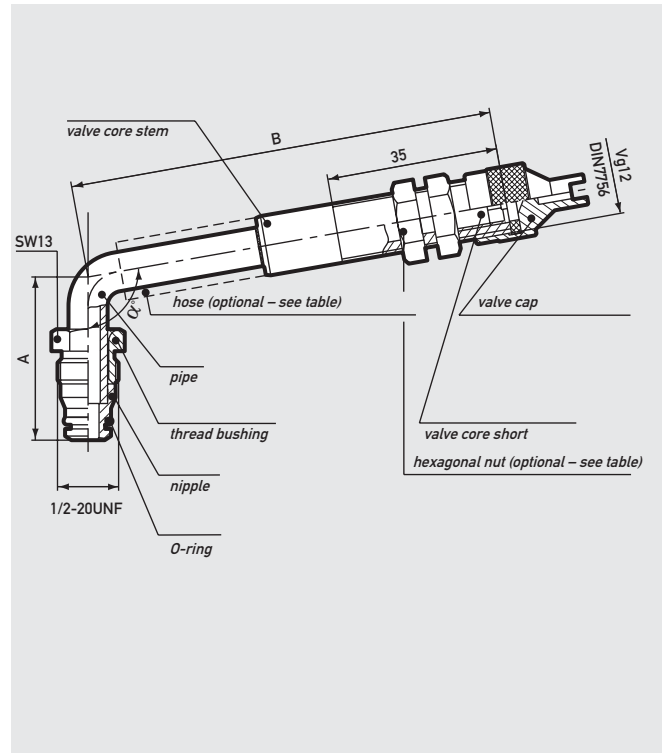




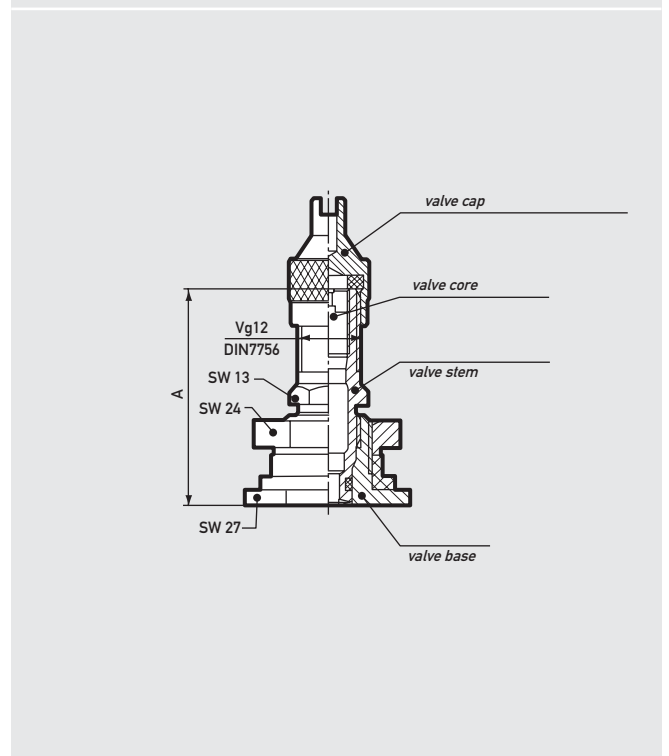




82.0161



83.0061



## Large bore swivel valve top, rotary



Nr.	Description	A mm	B mm	α°	Schutzschlauch Protection hose	6kt.-Mutter Hexagonal nut	Fuß Base	DIN Nr.	TR Nr.	ETRTO Nr.	Pack
<b>82.0061</b>	EM Ventiloberteil Large bore valve stem	41					ohne without		J670-02	V5.03.1	10
<b>82.0141</b>	EM Ventiloberteil Large bore valve stem	27	64	90°	ohne without	ohne without	ohne without		J4000-2 <sup>1/2</sup>		10
<b>82.0146</b>	EM Ventiloberteil Large bore valve stem	27	64	80	ohne without	ohne without	ohne without	7786	J653-02		10
<b>82.0161</b>	EM Ventiloberteil Large bore valve stem	27	80	100°	ohne without	ohne without	ohne without		J650-02	V5.04.1	10
<b>82.0166</b>	EM Ventiloberteil Large bore valve stem	27	80	120°	ohne without	ohne without	ohne without		J654-02		10
<b>82.0171</b>	EM Ventiloberteil Large bore valve stem	27	80	90°	ohne without	ohne without	ohne without		J4000-31/8		10
<b>82.0176</b>	EM Ventiloberteil Large bore valve stem	27	80	106°	ohne without	ohne without	ohne without		J655-02		10
<b>82.0191</b>	EM Ventiloberteil Large bore valve stem	48	89	90°	ohne without	ohne without	ohne without		J659-02		10
<b>82.0201</b>	EM Ventiloberteil Large bore valve stem	27	102	100°	mit with	ohne without	ohne without		J657-02		10
<b>82.0226</b>	EM Ventiloberteil Large bore valve stem	27	115	90°	mit with	ohne without	ohne without		J4000-41/2		10
<b>82.0236</b>	EM Ventiloberteil Large bore valve stem	32	119	90°	mit with	ohne without	ohne without		J651-02	V5.04.2	10
<b>82.0261</b>	EM Ventiloberteil Large bore valve stem	27	140	94°	mit with	ohne without	ohne without		J652-02		10
<b>82.0266</b>	EM Ventiloberteil Large bore valve stem	27	140	100°	mit with	ohne without	ohne without		J658-02		10
<b>82.0286</b>	EM Ventiloberteil Large bore valve stem	27	153	90°	mit with	2 Stück 2 pieces	ohne without		J4000-6		10
<b>82.0341</b>	EM Ventiloberteil Large bore valve stem	27	191	90°	mit with	2 Stück 2 pieces	ohne without		J4000-71/2		10
<b>82.0381</b>	EM Ventiloberteil Large bore valve stem	27	222	90°	mit with	2 Stück 2 pieces	ohne without		J4000-83/4		10
<b>82.0436</b>	EM Ventiloberteil Large bore valve stem	48	222	90°	mit with	2 Stück 2 pieces	ohne without		J660-02		10
<b>82.0851</b>	EM Ventiloberteil Large bore valve stem	27	527	90°	mit with	2 Stück 2 pieces	ohne without		J4000-203/4		10
<b>82.1131</b>	EM Ventiloberteil Large bore valve stem	27	705	90°	mit with	2 Stück 2 pieces	ohne without		J4000-273/4		10
<b>82.1201</b>	EM Ventiloberteil Large bore valve stem	27	750	90°	mit with	2 Stück 2 pieces	ohne without		J4000-291/2		10
<b>83.0061</b>	EM Ventil Large bore valve	41			ohne without	ohne without	mit with		J670-03		10
<b>83.0146</b>	EM Ventil Large bore valve	27	64	100°	ohne without	ohne without	mit with		J653-03		10
<b>83.0161</b>	EM Ventil Large bore valve	27	80	100°	ohne without	ohne without	mit with		J650-03		10
<b>83.0236</b>	EM Ventil Large bore valve	32	119	90°	ohne without	ohne without	mit with		J651-03		10

For mounting please use part number 32.9201 or 32.9529.

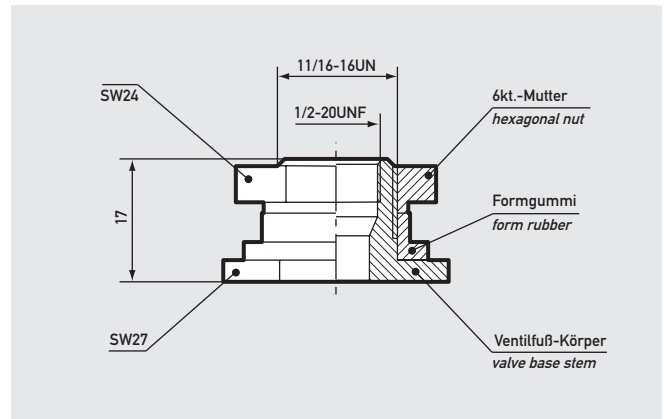
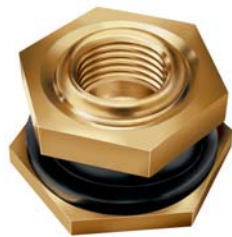
Installation torque 8 – 9 Nm



**Caution danger of life!**

When demounting a tyre whose inner tube is fitted with this large bore rubber valve base, make sure in every case that the tyre (excess-) pressure can freely escape. The passing air serves as an audible signal. Only when you are absolutely sure that deflation is complete (the audible signal will cease) you can begin with the demounting of the tyre.

32.9201



32.8601

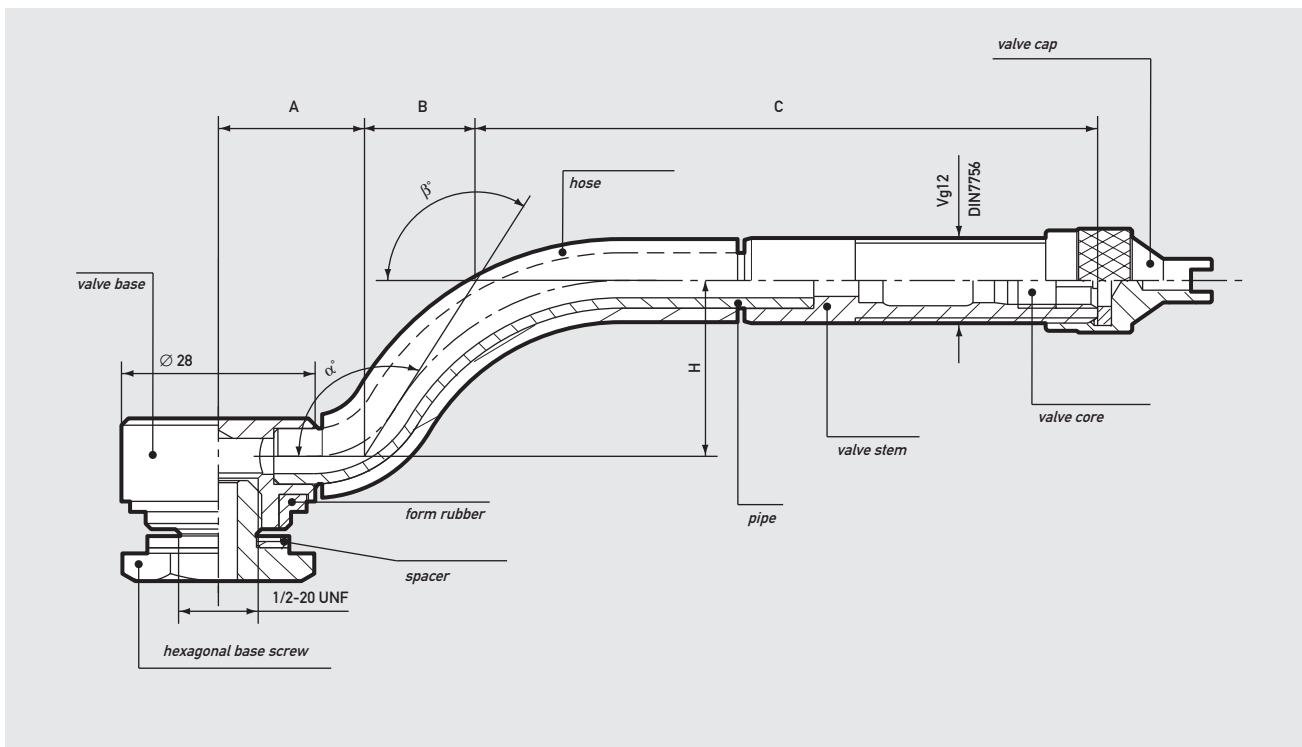


32.9529



Nr.	Description	DIN Nr.	TR Nr.	ETRTO Nr.	Pack
32.8601 <sup>^</sup>	Ventillochstopfen 20,5mm Valve hole spud				20
32.9201 <sup>^</sup>	EM Felgenfuß Large bore rim base		SP2	V5.10.1	20
32.9529	EM Schlauchventilfuß By gerauht Large bore hose valve base	7786	SP4000	V5.14.1	10

Installation torque 20 – 23 Nm

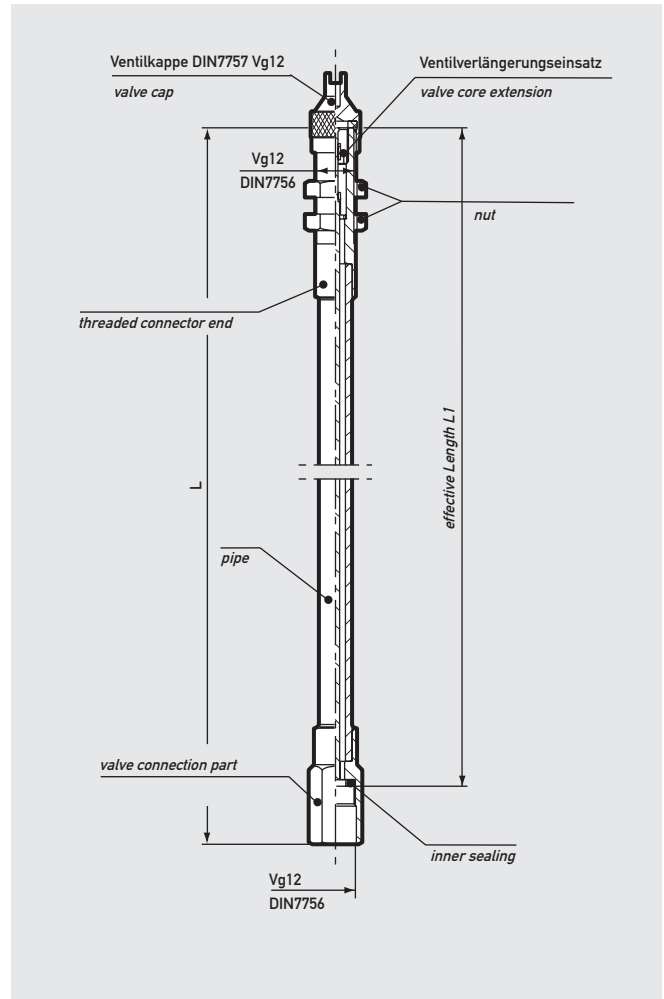

**85.0191**


Nr.	Description	A mm	B mm	C mm	H mm	$\alpha^\circ$	$\beta^\circ$	TR Nr.	ETRTO Nr.	Ventilloch $\varnothing$ Valve hole dia.	Pack
<b>85.0161</b>	EM Felgenreifenventil 105 DS-2F-A Large bore rim valve	20,5	17,5	67	25,5	130	130	J695		20,5 + 0,5	10
<b>85.0171</b>	EM Felgenreifenventil 108DS-2F-A Large bore rim valve	27	25,5	55,5	23	138	138	J696		20,5 + 0,5	10
<b>85.0191</b>	EM Felgenreifenventil 119DS-2F-A Large bore rim valve	32	26,5	60,5	14	152	152	J690	V5.05.1	20,5 + 0,5	10

Installation torque 20 – 23 Nm

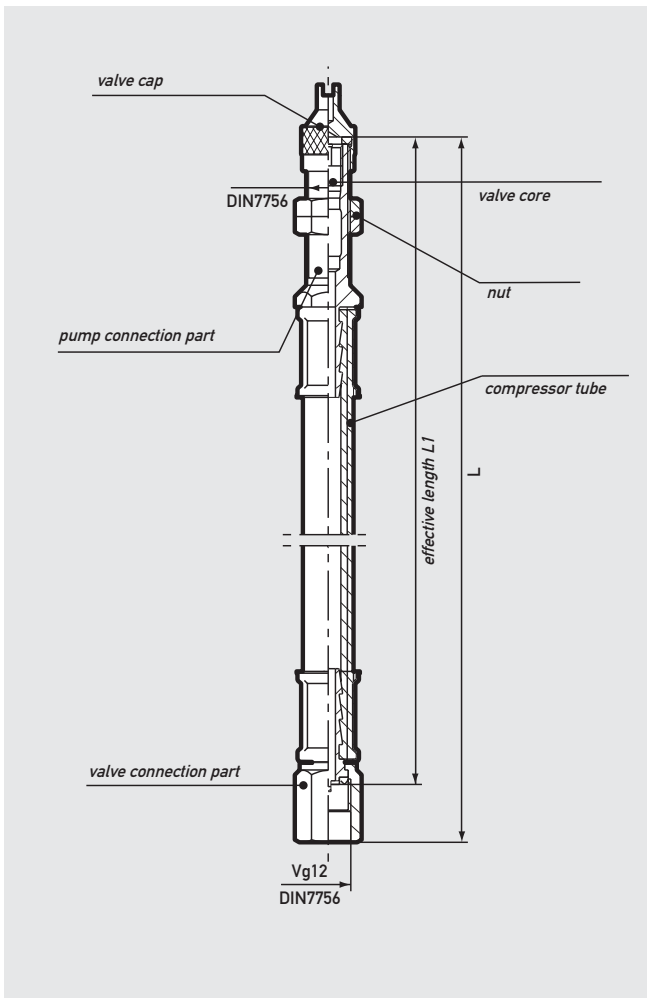


34.0331



Nr.	Description	Länge L Length	Eff. Länge L1 Eff. Length	Ref. Nr.	Pack Nr.
<b>starr / rigid</b>					
34.0331	EM Ventilverlängerung Large bore valve extension	104	86		10
34.0401	EM Ventilverlängerung Large bore valve extension	120	102	838	10
34.0441	EM Ventilverlängerung Large bore valve extension	132	114		10
34.0501	EM Ventilverlängerung Large bore valve extension	145	127	924	10
34.0541	EM Ventilverlängerung Large bore valve extension	159	141		10
34.0721	EM Ventilverlängerung Large bore valve extension	202	184	793	10
34.0801	EM Ventilverlängerung Large bore valve extension	221	203	871	10

Nr.	Description	Länge L Length	Eff. Länge L1 Eff. Length	Ref. Nr.	Pack Nr.
<b>starr / rigid</b>					
34.1001	EM Ventilverlängerung Large bore valve extension	272	254	778	10
34.1241	EM Ventilverlängerung Large bore valve extension	336	318	779	10
34.1871	EM Ventilverlängerung Large bore valve extension	498	480		10
34.2021	EM Ventilverlängerung Large bore valve extension	533	515		10
34.2241	EM Ventilverlängerung Large bore valve extension	590	572		10
34.3421	EM Ventilverlängerung Large bore valve extension	634	616		10


**35.0721**


Nr.	Description	Länge L Length	Eff. Länge L1 Eff. Length	Ref. Nr.	Pack Nr.
<b>hochflexibel / highly flexible</b>					
<b>35.0641</b>	EM Ventilverlängerung Large bore valve extension	140	121	1026	10
<b>35.0661</b>	EM Ventilverlängerung Large bore valve extension	160	144	953	10
<b>35.0721</b>	EM Ventilverlängerung Large bore valve extension	180	161	1027	10
<b>35.0771</b>	EM Ventilverlängerung Large bore valve extension	210	191	1186	10
<b>35.1071</b>	EM Ventilverlängerung Large bore valve extension	275	256		10
<b>35.1171</b>	EM Ventilverlängerung Large bore valve extension	300	281		10
<b>35.1241</b>	EM Ventilverlängerung Large bore valve extension	320	301	1129	10
<b>35.1411</b>	EM Ventilverlängerung Large bore valve extension	360	341	1105	10

Nr.	Description	Länge L Length	Eff. Länge L1 Eff. Length	Ref. Nr.	Pack Nr.
<b>hochflexibel / highly flexible</b>					
<b>35.1641</b>	EM Ventilverlängerung Large bore valve extension	420	401	1128	10
<b>35.1871</b>	EM Ventilverlängerung Large bore valve extension	480	461	1243	10
<b>35.2171</b>	EM Ventilverlängerung Large bore valve extension	555	536	976	10
<b>35.2421</b>	EM Ventilverlängerung Large bore valve extension	615	596	1108	10
<b>35.2711</b>	EM Ventilverlängerung Large bore valve extension	689	670	1126	10
<b>35.2801</b>	EM Ventilverlängerung Large bore valve extension	710	691		10
<b>35.2901</b>	EM Ventilverlängerung Large bore valve extension	740	721	882	10

Pressure range 10 bar





Large bore valve cores

Large bore valve caps

**03.3245**



**30.4000**



**31.9700**



**30.4500**



**31.9900**



**30.4700**



Nr.	Description	TR Nr.	Pack
<b>03.3245*</b>	EM Ventileinsatz, kurz Large bore valve core, short	C2	100
<b>31.9700*</b>	EM Ventileinsatz, lang Large bore valve core, long	C2	100
<b>31.9900*</b>	EM Ventileinsatz, kurz Large bore valve core, short	C2	100

Nr.	Description	TR Nr.	Ref. Nr.	Pack
<b>30.4000</b>	EM Schlüsselventilkappe Large bore screw type valve cap	VC6		100
<b>30.4500</b>	EM 6kt. Ventilkappe Large bore hexagonal valve cap	VC7		100
<b>30.4700</b>	EM Rundkopfventilkappe Large bore dome type cap	VC10	766	100

\* Messing vernickelt  
Nickel-plated brass


**33.8501**

**33.8601**

**25.4201**

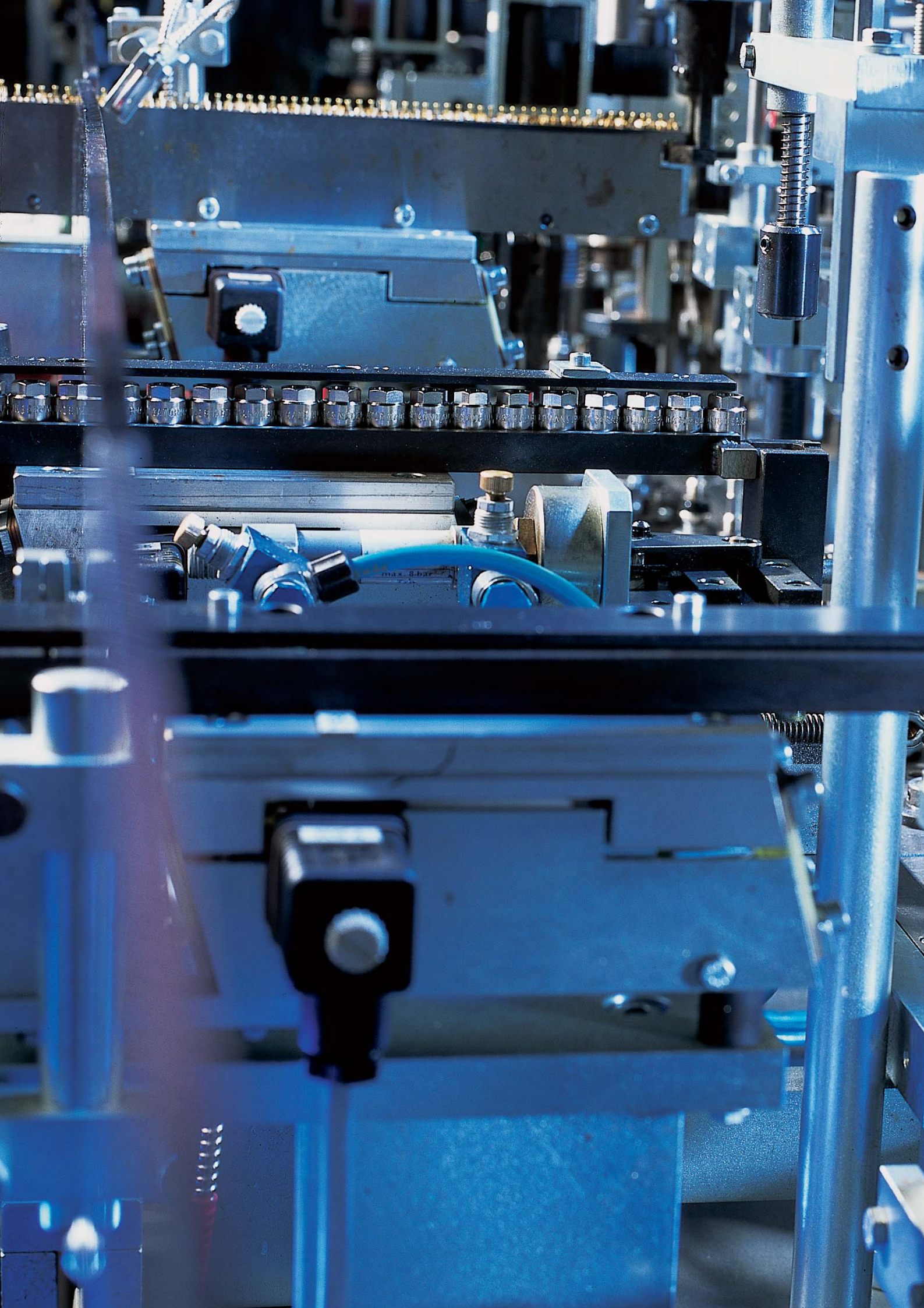
**25.4501**

**90.1503**

**90.0883**


Nr.	Description	Nr.	Pack	Nr.	Description	Nr.	Pack
<b>33.8501</b>	EM-Adapter FE:VG12 – MA:8V1-1	7757-VG12-VG8	10	<b>33.8601</b>	EM-Adapter 2X MA 8V1-1	AD1	10
<b>25.4201</b>	Einschraubventil M8X1,25 Clamp-in valve		100	<b>25.4501</b>	Einschraubventil mit Dichtring Clamp-in valve with gasket		100
<b>90.1503</b>	Einschraubventil G1/8 Clamp-in valve		100	<b>90.0883</b>	Einschraubventil G1/8 SW11 Clamp-in valve		100

More clamp-in valves available on request!







23.0500



23.4300



23.5020



23.5800



Nr.	Description	Pack
23.0500*	Ventilfänger 8V1-1 Valve fishing tool	10
23.4300*	Schlauchentlüfter Tube deflator	10
23.5020	4fach Ventilwerkzeug 4 way valve tool	10
23.5800	Profiltiefenmessgerät Thread depth gauge	10

\* Nickel-plated brass

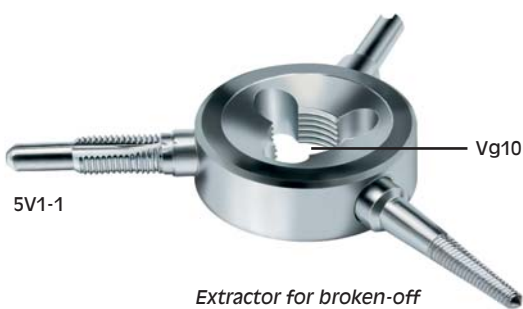
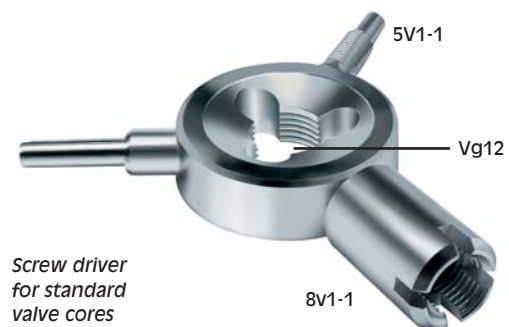


## Rethreading tools

Reliable ALLIGATOR valve tools are important for every valve repair. They simplify and speed up competent repairs. ALLIGATOR valve thread repair tools are precision-made from specially tough steel in accordance with the exact data in DIN7756. The surface is protected against corrosion.

**23.5031**

Screw driver for valve cores


**23.5041**

**23.5051**

Extractor for broken-off valve cores


**23.5061**

Screw driver for large bore valve cores



Nr.	Description	Pack	Nr.	Description	Pack
<b>23.5030°</b>	Ventilgewinde-Nachschneider Rethreading tools	10	<b>23.5050°</b>	Ventilgewinde-Nachschneider Rethreading tools	10
<b>23.5031°</b>	Ventilgewinde-Nachschneider Rethreading tools	1	<b>23.5051°</b>	Ventilgewinde-Nachschneider Rethreading tools	1
<b>23.5040°</b>	Ventilgewinde-Nachschneider Rethreading tools	10	<b>23.5060°</b>	Ventilgewinde-Nachschneider Rethreading tools	10
<b>23.5041°</b>	Ventilgewinde-Nachschneider Rethreading tools	1	<b>23.5061°</b>	Ventilgewinde-Nachschneider Rethreading tools	1

° verzinkt  
Zinc-plated



23.2500  
23.2502



23.2503



23.2505  
23.2507



23.2511



Nr.	Description	Pack
23.2500	Ventilschrauber Valve screw driver	10
23.2502	Ventilschrauber Valve screw driver	1
23.2503	Ventileinsatzschrauber 5V1-1/8V1-1 Valve core tool 5V1-1/8V1-1	10
23.2505	Ventilschrauber Valve screw driver	10
23.2507	Ventilschrauber Valve screw driver	1
23.2511	Ventilschrauber mit Haftmagnet Valve tool with magnet	10


**23.2508**

**23.2601**
*tool holder*  
+ 23.2640

**23.2602**
*tool holder*  
+ 23.2640  
+ 23.2650

**23.2640**

 -Ventilkappen  
*For valve cores  
and valve caps*

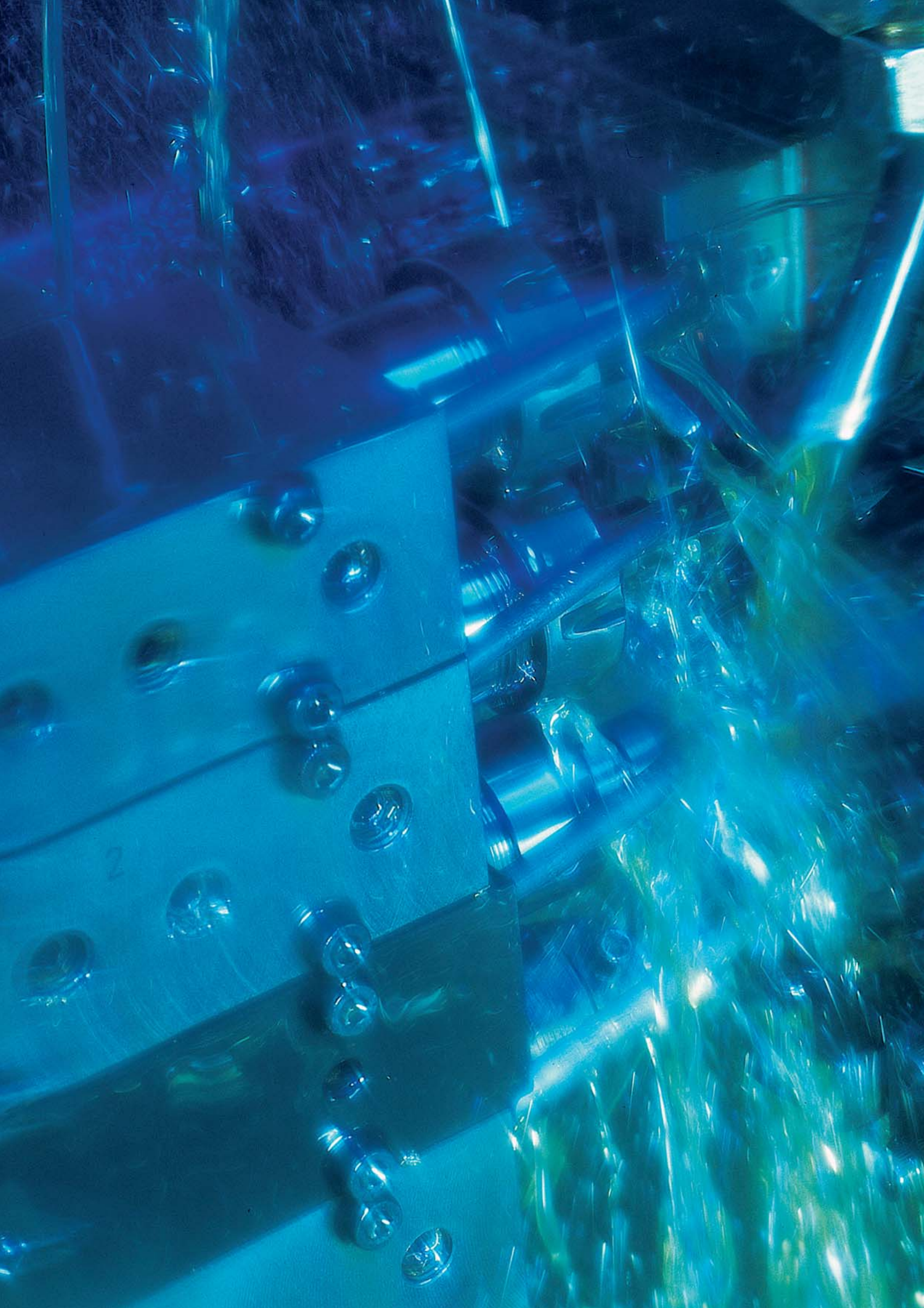
**23.2650**

 -Ventilkappen  
*For large bore  
valve cores  
and valve caps*


Nr.	Description	Pack
<b>23.2508</b>	Ventileinsatzschrauber, lang Valve core tool, long	10
<b>23.2601</b>	Werkzeughalter + 23.2640 Tool holder + 23.2640	1
<b>23.2602</b>	Werkzeughalter + 23.2640 + 23.2650 Tool holder + 23.2640 + 23.2650	1
<b>23.2640*</b>	Ventilschrauber für Standard-Ventileinsätze und -Ventilkappen Valve screw driver tools for valve cores and caps	10
<b>23.2650*</b>	Ventilschrauber für EM-Ventileinsätze und -Ventilkappen Valve screw driver tools for large bore valve cores and valve caps	10

\* Nickel-plated brass









Wing nut M16X1,5

Tyre filling hose assemblies with hand-held gauges

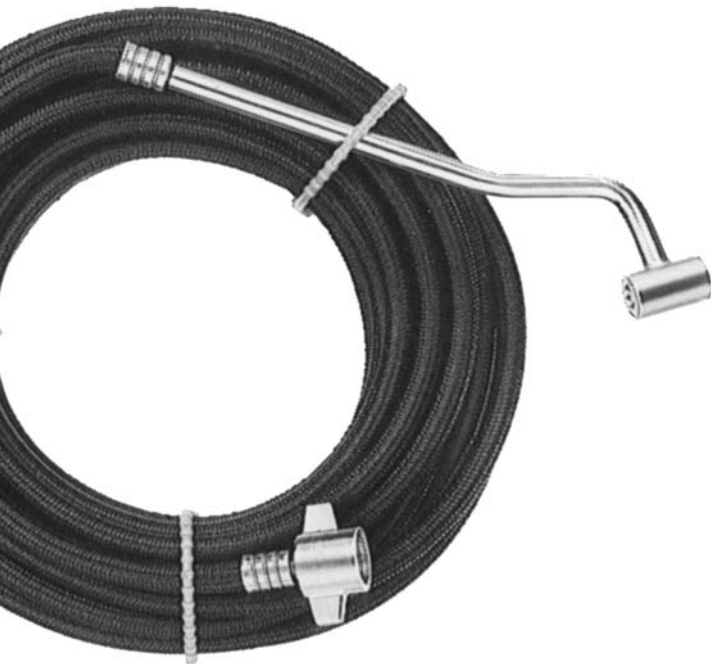


Nr.	Description	Pack
<b>Standard-Ausführung standard version</b>		<b>A</b>
15.8000	DØ = 6 mm für Schlauch I.D. 5 mm DØ = 6 mm for hose in. dia. 5 mm	100
15.8100	DØ = 9 mm für Schlauch I.D. 8 mm DØ = 9 mm for hose in. dia. 8 mm	100
15.8200	DØ = 7 mm für Schlauch I.D. 6 mm DØ = 7 mm for hose in. dia. 6 mm	100
15.8300	DØ = 8 mm für Schlauch I.D. 7 mm DØ = 8 mm for hose in. dia. 7 mm	100
<b>langes Gewinde long thread</b>		<b>B</b>
15.8500	DØ = 6 mm für Schlauch I.D. 5 mm DØ = 6 mm for hose in. dia. 5 mm	100
15.8700	DØ = 7 mm für Schlauch I.D. 6 mm DØ = 7 mm for hose in. dia. 6 mm	100
15.8800	DØ = 8 mm für Schlauch I.D. 7 mm DØ = 8 mm for hose in. dia. 7 mm	100
15.8600	DØ = 9 mm für Schlauch I.D. 8 mm DØ = 9 mm for hose in. dia. 8 mm	100
<b>kurzes Gewinde, neutrale Ausführung short thread, neutral version</b>		<b>C</b>
15.9000	DØ = 6 mm für Schlauch I.D. 5 mm DØ = 6 mm for hose in. dia. 5 mm	100
<b>Ersatzteile spare parts</b>		
04.1602	Gummi-Dichtung Rubber washer	20



Nr.	Wing nut	Adapter	Hose length	
			ahead	behind
28.6145		Hebelstecknippel Thumb-lock air chuck	1,5 m	
28.6146		Momentstecknippel Clip-on air chuck	1,5 m	
28.6147		Tankstellenstecker Service station air chuck	1,5 m	
28.6180		Momentstecknippel Clip-on air chuck	1,5 m	
28.6137	A	Momentstecknippel Clip-on air chuck	1,5 m	9,5 m
28.6185	A	Momentstecknippel Clip-on air chuck	1,5 m	18,5

Tyre filling hose assemblies for commercial vehicles



## Adapter

**14.0903**

**14.2300**

**14.3000**

**14.6300**


Nr.	Wing nut	Adapter	Hose length	In.dia.	Out.dia.	Oper.pr.	Resistance test.pr.bar.	Bursting.pr.bar
<b>28.0035</b>	A	14.3000 Momentstecknippel Clip-on air chuck	9,5 m	4,5	10	4,5	9	15
<b>28.0937</b>	A	14.2300 Hebelstecknippel Thumb-lock air chuck	10 m	4,5	9	15	25	52
<b>28.0960</b>	A	14.2300 Hebelstecknippel Thumb-lock air chuck	15 m	4,5	9	15	25	52
<b>28.0965</b>	C	14.2300 Hebelstecknippel Thumb-lock air chuck	15 m	4,5	9	15	25	52
<b>28.2038</b>	B	14.6300 Tankstellenstecker Service station air chuck	10 m	4,7	10	20	40	60
<b>28.2445</b>	B	14.0903 Stecknippel Ball foot air chuck	12 m	4,7	10	20	40	65
<b>28.9787</b>	B	14.6300 Tankstellenstecker Service station air chuck	25 m	4,7	10	20	40	60



## Thumb-lock air chuck for motor vehicles

### standard version

14.2150

14.2100



14.2200



### spare parts

14.2210

14.2211



### extra robust version

14.2300



### Version with releasable screw connection

14.3501



### spare parts

03.0717

03.3030

14.2310





## Clip-on air chucks for motor vehicles

### spare parts

**14.3000**

**14.3373**


### Thumb-lock air chuck for motor vehicles

Nr.	Description	Pack
-----	-------------	------

#### Standard-Ausführung / verzinkt standard version / zinc-plated

<b>14.2100</b>	ohne Hebestift, DØ = 5,5 mm für Schlauch I.D. 4,5 mm without deflator pin, DØ = 5.5 mm for hose in. dia. 4.5 mm	100
<b>14.2150</b>	mit Hebestift, DØ = 5,5 mm für Schlauch I.D. 4,5 mm with deflator pin, DØ = 5.5 mm for hose in. dia. 4.5 mm	100
<b>14.2200</b>	DØ = 5,5 mm für Schlauch I.D. 4,5 mm DØ = 5.5 mm for hose in. dia. 4.5 mm	100

#### Solide Ausführung / Messing vernickelt extra robust version / nickel-plated brass

<b>14.2300</b>	DØ = 5,5 mm für Schlauch I.D. 4,5 mm DØ = 5.5 mm for hose in. dia. 4.5 mm	100
<b>14.2301</b>	DØ = 5,5 mm für Schlauch I.D. 4,5 mm DØ = 5.5 mm for hose in. dia. 4.5 mm	20X1
<b>14.2400</b>	DØ = 7 mm für Schlauch I.D. 6 mm DØ = 7 mm for hose in. dia. 6 mm	100
<b>14.2401</b>	DØ = 7 mm für Schlauch I.D. 6 mm DØ = 7 mm for hose in. dia. 6 mm	20X1
<b>14.2500</b>	DØ = 9 mm für Schlauch I.D. 8 mm DØ = 9 mm for hose in. dia. 8 mm	100
<b>14.2501</b>	DØ = 9 mm für Schlauch I.D. 8 mm DØ = 9 mm for hose in. dia. 8 mm	20X1

#### Ausführung mit lösbarer Schraubverbindung / Messing vernickelt version with releasable screw connection / nickel-plated brass

<b>14.3501</b>	für Schlauch I.D. 4,5 mm A.D. 10 mm for hose in. dia. 4.5 mm out. dia. 10 mm	50
<b>14.3502</b>	für Schlauch I.D. 4,5 mm A.D. 10 mm for hose in. dia. 4.5 mm out. dia. 10 mm	20X1
<b>14.3505</b>	für Schlauch I.D. 5 mm A.D. 14 mm for hose in. dia. 5 mm out. dia. 14 mm	50
<b>14.3506</b>	für Schlauch I.D. 5 mm A.D. 14 mm for hose in. dia. 5 mm out. dia. 14 mm	20X1

\* Nickel-plated brass

Zinc-plated

### Clip-on air chucks for motor vehicles

Nr.	Description	Pack
<b>14.3000</b>	DØ = 6 mm für Schlauch I.D. 5 mm DØ = 6 mm for hose in. dia. 5 mm	100
<b>14.3001</b>	DØ = 6 mm für Schlauch I.D. 5 mm DØ = 6 mm for hose in. dia. 5 mm	20X1
<b>14.3100</b>	DØ = 8 mm für Schlauch I.D. 7 mm DØ = 8 mm for hose in. dia. 7 mm	100
<b>14.3101</b>	DØ = 8 mm für Schlauch I.D. 7 mm DØ = 8 mm for hose in. dia. 7 mm	20X1

### spare parts

Nr.	Description	Pack
<b>03.0717</b>	Gummi-Dichtung Rubber washer	20
<b>03.3030°</b>	Hebestift Deflator pin	20
<b>14.2210</b>	Deckel für Hebelstecknippel Chuck nut for thumb-lock air chuck	20
<b>14.2211</b>	Gummi-Dichtung Rubber washer	20
<b>14.2310*</b>	Deckel für Hebelstecknippel Chuck nut for thumb-lock air chuck	20
<b>14.3373</b>	Gummi-Dichtung Rubber washer	20



**EM thumb-lock air chuck**

**EM clip-on air chuck**

14.2700



14.3400



spare parts

spare parts

03.0732



14.2710



03.3401



**EM thumb-lock air chuck**

**EM clip-on air chuck**

Nr.	Description	Pack
03.0732	Gummi-Dichtung Rubber washer	20
14.2700*	DØ = 7 mm für Schlauch I.D. 6 mm DØ = 7 mm for hose in. dia. 6 mm	50
14.2710*	Deckel Chuck nut	100
14.2800*	DØ = 9 mm für Schlauch I.D. 8 mm DØ = 9 mm for hose in. dia. 8 mm	50

Nr.	Description	Pack
03.3401	Gummi-Dichtung Rubber washer	10
14.3400	DØ = 8 mm für Schlauch I.D. 7 mm DØ = 8 mm for hose in. dia. 7 mm	50

\* Nickel-plated brass



### Clip-on ball foot air chucks (I)

self-closing after detaching from tyre valve (closed end)

### Clip-on ball foot air chucks (II)

remains open even after detachment from (tyre) valve because of the following manometer (open end)

**14.4051**

**14.4001**


(I) Artikel Nr.	(II) Artikel Nr.	DØ mm	für Schlauch I.D. mm for hose in. dia. mm	Pack
14.4051	14.3976	6	5	50
14.4151	14.4076	8	7	50
14.4171	14.4196	9	8	50
14.4251	14.4176	10	9	50
14.4351	14.4276	12,5	11	50

(I) Artikel Nr.	(II) Artikel Nr.	DØ mm	für Schlauch I.D. mm for hose in dia. mm	Pack
14.4001*	14.3926*	6	5	50
14.4101*	14.4026*	8	7	50
14.4121*	14.4046*	9	8	50
14.4201*	14.4126*	10	9	50
14.4301*	14.4226*	12,5	11	50

Special version for cycle valves (DUNLOP / WOODS)

13.3201*		8	7	50
----------	--	---	---	----

**14.5451**

**14.4001**


(I) Artikel Nr.	(II) Artikel Nr.	Innengewinde-FE female thread-FE	Pack
14.5451*	14.5376	1/4"-18NPT	50
	14.5476	R1/8"BSP.par	50
14.5651	14.5576	R1/4"BSP.par	50
14.5851	14.5776	1/8"-27NPT	50

(I) Artikel Nr.	(II) Artikel Nr.	Innengewinde-FE female thread-FE	Pack
14.5401*	14.5326*	1/4"-18NPT	50
14.5501*	14.5426*	R1/8"BSP.par	50
14.5601*	14.5526*	R1/4"BSP.par	50
14.5801*	14.5726*	1/8"-27NPT	50

\* Nickel-plated brass







spare parts

03.0707



14.4010



14.4020



14.4025



14.4500



Nr.	Description	Pack
03.0707	Gummi-Dichtung Rubber washer	20
14.4010*	Deckel Chuck nut	20
14.4020	Ventilhebestift Deflator pin	20
14.4025*	Hebestift Deflator pin	20
14.4500	CLIP Z KFZ-Stecknippel Air chuck clip	20

\* Nickel-plated brass

**Service station dual foot air chucks**

**Handhold green**  
self-closing after detachment  
from tyre valve (closed end)

**Handhold black**  
permanently open after detachment  
from tyre valve (open end)

**closed end***open**closed***open end**



Combined version for motor vehicle tyre valves and bicycle valves (DUNLOP / WOODS)

14.6700  
14.7300



14.6420  
14.7620



14.6200  
14.7020



14.8200  
14.9200



Tyre inflating clip-on connectors


 Combined version for motor  
vehicle tyre valves and bicycle  
valves (DUNLOP / WOODS)

14.6502

14.7102

14.6400

14.7600

14.6000

14.7000

14.8000

14.9000





Combined version for motor vehicle tyre valves and bicycle valves (DUNLOP / WOODS)

- 14.6602
- 14.7202
- 14.6805
- 14.7405

- 14.6410
- 14.7610
- 14.6450
- 14.7615

- 14.6100
- 14.7010

- 14.8100
- 14.9100
- 14.8305
- 14.9115





## Spare parts

### KFZ-Seite / motor vehicle



## Spare parts

### Fahrrad-Seite / bicycle



## Closed end

### handhold green, nickel-plated brass

Artikel Nr.	Schlauchanschluss Hose connection	Länge mm Length	Pack
14.6000	Außengewinde MA:8V1-1	200	5
14.6100	DØ = 8 mm für Schlauch I.D. 7 mm DØ = 8 mm for hose in. dia. 7 mm	230	5
14.6200	Innengewinde FE: R <sup>1</sup> / <sub>4</sub> -18NPT	170	5
14.6400	Außengewinde MA:8V1-1	305	5
14.6410	DØ = 8 mm für Schlauch I.D. 7 mm DØ = 8 mm for hose in. dia. 7 mm	290	5
14.6420	Innengewinde FE: R <sup>1</sup> / <sub>4</sub>	290	5
14.6450	DØ = 9 mm für Schlauch I.D. 8 mm DØ = 9 mm for hose in. dia. 8 mm	290	5
14.6502	Außengewinde MA:8V1-1	360	1
14.6602	DØ = 8 mm für Schlauch I.D. 7 mm DØ = 8 mm for hose in. dia. 7 mm	350	1
14.6700	Innengewinde FE: R <sup>1</sup> / <sub>4</sub>	345	5
14.6805	DØ = 9 mm für Schlauch I.D. 8 mm DØ = 9 mm for hose in. dia. 8 mm	350	5
14.8000	Außengewinde MA:8V1-1	265	5
14.8100	DØ = 8 mm für Schlauch I.D. 7 mm DØ = 8 mm for hose in. dia. 7 mm	260	5
14.8200	Innengewinde FE: R <sup>1</sup> / <sub>4</sub>	250	5
14.8305	DØ = 9 mm für Schlauch I.D. 8 mm DØ = 9 mm for hose in. dia. 8 mm	260	5

### spare parts

Artikel Nr.	Bezeichnung	Pack
03.0709	Gummi-Dichtung Rubber washer	20
03.0723	Gummi-Dichtung Rubber washer	20
03.2114	Druckfeder Pressure spring	20
14.6010*	Deckel Chuck nut	20
14.6020	Ventilhebestift Deflator pin	20
14.8010*	Deckel Chuck nut	20
14.8020	Ventilhebestift Deflator pin	20

## Open end

### handhold black, nickel-plated brass

Artikel Nr.	Schlauchanschluss Hose connection	Länge mm Length	Pack
14.7000	Außengewinde MA:8V1-1	230	5
14.7010	DØ = 8 mm für Schlauch I.D. 7 mm DØ = 8 mm for hose in. dia. 7 mm	230	5
14.7020	Innengewinde FE: R <sup>1</sup> / <sub>4</sub> -18NPT	170	5
14.7102	Außengewinde MA:8V1-1	360	1
14.7202	DØ = 8 mm für Schlauch I.D. 7 mm DØ = 8 mm for hose in. dia. 7 mm	355	1
14.7300	Innengewinde FE: R <sup>1</sup> / <sub>4</sub>	345	5
14.7405	DØ = 9 mm für Schlauch I.D. 8 mm DØ = 9 mm for hose in. dia. 8 mm	355	5
14.7600	Außengewinde MA:8V1-1	305	5
14.7610	DØ = 8 mm für Schlauch I.D. 7 mm DØ = 8 mm for hose in. dia. 7 mm	300	5
14.7615	DØ = 9 mm für Schlauch I.D. 8 mm DØ = 9 mm for hose in. dia. 8 mm	300	5
14.7620	Innengewinde FE: R <sup>1</sup> / <sub>4</sub>	290	5
14.9000	Außengewinde MA:8V1-1	265	5
14.9100	DØ = 8 mm für Schlauch I.D. 7 mm DØ = 8 mm for hose in. dia. 7 mm	260	5
14.9115	DØ = 9 mm für Schlauch I.D. 8 mm DØ = 9 mm for hose in. dia. 8 mm	250	5
14.9200	Innengewinde FE: R <sup>1</sup> / <sub>4</sub>	250	5

### Ersatzteile / spare parts

Artikel Nr.	Bezeichnung	Pack
03.0709	Gummi-Dichtung Rubber washer	20
03.0723	Gummi-Dichtung Rubber washer	20
03.2114	Druckfeder Pressure spring	20
14.6010*	Deckel Chuck nut	20
14.7120	Doppelhebestift Double deflator pin	20
14.8010*	Deckel Chuck nut	20

\* Nickel-plated brass



Monsanto

RHEOMETER MDR 2000E

WARNING ATTENTION  
CHAUD  
ACHTUNG ATTENZIONE  
CALDO







Ordered by article number

Article no.	Page no.	Article no.	Page no.	Article no.	Page no.	Article no.	Page no.
03.0021	27	14.2200	81	14.5401	83	14.9115	89
03.0707	84	14.2210	81	14.5426	83	14.9200	89
03.0709	89	14.2211	81	14.5451	83	15.8000	78
03.0717	81	14.2300	81	14.5476	83	15.8100	78
03.0723	89	14.2301	81	14.5501	83	15.8200	78
03.0732	82	14.2310	81	14.5526	83	15.8300	78
03.0753	45	14.2400	81	14.5576	83	15.8500	78
03.1205	11	14.2401	81	14.5601	83	15.8600	78
03.2114	89	14.2500	81	14.5651	83	15.8700	78
03.3030	81	14.2501	81	14.5726	83	15.8800	78
03.3181	11	14.2700	82	14.5776	83	15.9000	78
03.3245	68	14.2710	82	14.5801	83	23.0500	72
03.3365	58	14.2800	82	14.5851	83	23.1900	24
03.3370	58	14.3000	81	14.6000	89	23.2500	74
03.3401	82	14.3001	81	14.6010	89	23.2502	74
04.1602	78	14.3100	81	14.6020	89	23.2503	74
04.9110	17	14.3101	81	14.6100	89	23.2505	74
04.9115	17	14.3373	81	14.6200	89	23.2507	74
04.9117	17	14.3400	82	14.6400	89	23.2508	75
04.9118	17	14.3501	81	14.6410	89	23.2511	74
04.9119	17	14.3502	81	14.6420	89	23.2601	75
04.9150	10	14.3505	81	14.6450	89	23.2602	75
04.9200	31	14.3506	81	14.6502	89	23.2640	75
10.4000	10	14.3926	83	14.6602	89	23.2650	75
10.4599	10	14.3976	83	14.6700	89	23.4300	72
10.5000	10	14.4001	83	14.6805	89	23.5020	72
11.0000	9	14.4010	84	14.7000	89	23.5030	73
11.0001	9	14.4020	84	14.7010	89	23.5031	73
11.0002	9	14.4025	84	14.7020	89	23.5040	73
11.0004	9	14.4026	83	14.7102	89	23.5041	73
11.0201	9	14.4046	83	14.7120	89	23.5050	73
12.1004	11	14.4051	83	14.7202	89	23.5051	73
12.4599	11	14.4076	83	14.7300	89	23.5060	73
13.3201	83	14.4101	83	14.7405	89	23.5061	73
13.8100	14	14.4121	83	14.7600	89	23.5800	72
13.8102	14	14.4126	83	14.7610	89	25.4201	69
13.8300	13	14.4151	83	14.7615	89	25.4501	69
13.8320	13	14.4171	83	14.7620	89	28.0035	79
13.8600	14	14.4176	83	14.8000	89	28.0937	79
13.8602	14	14.4196	83	14.8010	89	28.0960	79
13.8800	13	14.4201	83	14.8020	89	28.0965	79
13.8802	13	14.4226	83	14.8100	89	28.2038	79
13.8900	13	14.4251	83	14.8200	89	28.2445	79
13.8902	13	14.4276	83	14.8305	89	28.6137	78
13.8950	13	14.4301	83	14.8500	15	28.6145	78
13.9000	13	14.4351	83	14.8600	15	28.6146	78
13.9010	13	14.4500	84	14.8700	15	28.6147	78
14.2100	81	14.5326	83	14.9000	89	28.6180	78
14.2150	81	14.5376	83	14.9100	89	28.6185	78



Ordered by article number

Article no.	Page no.	Article no.	Page no.	Article no.	Page no.	Article no.	Page no.
28.9787	.79	33.2003	.47	34.0801	.66	38.2605	.48
30.0005	.17	33.2603	.47	34.1001	.66	38.2705	.48
30.0025	.17	33.2703	.47	34.1241	.66	38.2805	.48
30.0025	.27	33.2883	.47	34.1871	.66	38.2905	.48
30.0106	.17	33.2903	.47	34.2021	.66	38.3005	.48
30.0107	.17	33.3008	.52	34.2241	.66	39.6000	.27
30.0108	.17	33.3108	.52	34.3421	.66	44.7413	.12
30.0109	.17	33.3208	.52	35.0641	.67	44.7413	.29
30.0500	.17	33.3268	.52	35.0661	.67	44.7500	.12
30.1500	.17	33.3308	.52	35.0721	.67	44.7513	.12
30.1518	.17	33.3328	.52	35.0771	.67	44.7513	.29
30.4000	.68	33.3408	.52	35.1071	.67	50.0522	.31
30.4500	.68	33.3508	.52	35.1171	.67	50.1522	.31
30.4700	.68	33.3608	.52	35.1241	.67	51.1003	.30
31.2000	.19	33.3708	.52	35.1411	.67	51.1983	.30
31.5000	.19	33.3808	.52	35.1641	.67	51.1993	.30
31.5006	.19	33.3908	.52	35.1871	.67	51.2013	.29
31.5006	.27	33.5008	.53	35.2171	.67	51.2503	.30
31.7200	.19	33.5108	.53	35.2421	.67	51.2504	.30
31.9700	.68	33.5208	.53	35.2711	.67	51.2523	.30
31.9900	.68	33.5308	.53	35.2801	.67	51.2533	.30
32.2200	.57	33.5408	.53	35.2901	.67	51.2553	.28
32.2215	.57	33.5608	.53	37.0008	.50	51.2563	.28
32.2216	.57	33.5708	.53	37.0028	.50	51.3043	.30
32.3020	.10	33.5808	.53	37.0168	.50	51.3103	.28
32.3198	.27	33.5908	.53	37.0188	.50	51.3143	.28
32.4603	.57	33.6108	.53	37.0198	.50	51.6003	.30
32.4703	.57	33.6208	.53	37.0228	.50	52.0555	.22
32.4710	.58	33.6308	.53	37.0248	.50	52.0634	.22
32.6340	.45	33.6408	.53	37.0288	.50	52.0944	.12
32.6540	.45	33.6508	.53	37.0328	.50	52.0954	.12
32.6545	.45	33.8258	.53	37.0388	.50	52.1012	.23
32.7040	.45	33.8268	.53	37.0408	.50	52.1014	.23
32.8501	.59	33.8278	.53	37.0428	.50	52.1024	.23
32.8601	.64	33.8501	.69	37.0438	.50	52.1054	.23
32.9201	.64	33.8601	.69	37.7700	.54	52.1114	.23
32.9529	.64	33.9002	.58	37.7702	.54	52.1214	.23
33.0275	.18	33.9051	.58	37.7710	.54	52.1314	.23
33.0401	.18	33.9091	.58	37.8578	.51	52.1514	.12
33.0501	.18	33.9101	.58	37.8638	.51	52.1514	.22
33.0709	.18	33.9181	.58	37.8688	.51	52.1524	.12
33.0853	.46	33.9251	.58	37.8798	.51	52.1554	.22
33.0903	.46	33.9800	.45	37.8868	.51	52.2014	.22
33.0935	.46	34.0331	.66	38.1305	.48	52.2024	.22
33.1103	.46	34.0401	.66	38.1505	.48	52.2099	.24
33.1203	.46	34.0441	.66	38.1805	.48	52.3014	.22
33.1303	.47	34.0501	.66	38.2405	.49	52.3024	.22
33.1403	.47	34.0541	.66	38.2435	.49	52.3099	.24
33.1703	.47	34.0721	.66	38.2465	.49	52.4014	.22



Ordered by article number

Article no.	Page no.	Article no.	Page no.	Article no.	Page no.	Article no.	Page no.
52.4024	22	73.3203	43	77.0037	35	77.1100	37
52.5014	22	73.3303	43	77.0039	35	77.1153	37
52.5124	22	73.3613	43	77.0052	35	77.1183	37
52.7014	22	73.3713	43	77.0103	34	77.1243	38
52.8014	22	73.3723	43	77.0123	34	77.1248	38
52.9014	22	73.3813	43	77.0223	34	77.1253	38
52.9024	22	73.4103	43	77.0233	34	77.1283	38
53.4043	56	73.4113	43	77.0273	34	77.1343	38
54.4503	56	73.4203	43	77.0283	34	77.1353	37
54.5503	59	73.4303	43	77.0303	34	77.1363	38
54.6503	59	73.4713	43	77.0333	34	77.1373	37
54.7503	59	73.5103	43	77.0353	34	82.0061	63
59.0005	26	73.5203	43	77.0373	33	82.0141	63
59.0007	26	73.5213	43	77.0383	34	82.0146	63
59.0008	26	73.5303	43	77.0403	33	82.0161	63
59.0016	27	73.5443	43	77.0503	33	82.0166	63
59.0035	26	73.5473	43	77.0513	33	82.0171	63
59.0037	26	73.5603	43	77.0583	34	82.0176	63
59.0038	26	73.5623	43	77.0603	34	82.0191	63
59.0055	26	73.5703	43	77.0623	34	82.0201	63
59.0057	26	73.5803	43	77.0633	34	82.0226	63
59.0058	26	73.5823	43	77.0653	33	82.0236	63
59.0085	26	73.6103	43	77.0669	35	82.0261	63
59.0087	26	73.6223	43	77.0676	35	82.0266	63
59.0088	26	73.6333	43	77.0678	35	82.0286	63
59.0850	27	73.6343	43	77.0683	35	82.0341	63
59.4010	56	73.6353	43	77.0686	35	82.0381	63
73.0163	43	73.6603	43	77.0695	35	82.0436	63
73.0173	43	73.6703	43	77.0696	35	82.0851	63
73.0603	43	73.6803	43	77.0697	35	82.1131	63
73.0613	43	73.6833	43	77.0699	35	82.1201	63
73.0623	43	73.6923	43	77.0723	39	83.0061	63
73.0703	43	73.7113	43	77.0733	39	83.0146	63
73.0843	43	73.7613	43	77.0753	41	83.0161	63
73.0863	43	75.0603	36	77.0763	41	83.0236	63
73.1103	43	75.1103	36	77.0773	41	85.0161	65
73.1253	43	75.1603	36	77.0863	41	85.0171	65
73.1603	43	75.2103	36	77.0883	41	85.0191	65
73.1613	43	75.2303	36	77.0923	40	90.0883	69
73.1623	43	75.2603	36	77.0933	40	90.1503	69
73.1723	43	75.2803	36	77.0953	40		
73.2113	43	75.3103	36	77.0963	40		
73.2213	43	75.3303	36	77.0973	40		
73.2233	43	75.3603	36	77.1033	40		
73.2253	43	75.3803	36	77.1043	40		
73.2303	43	75.4103	36	77.1063	40		
73.2673	43	77.0026	35	77.1073	40		
73.2823	43	77.0031	35	77.1083	40		
73.3103	43	77.0034	35	77.1093	40		



Ordered by page number

Page no.	Article no.	Page no.	Article no.	Page no.	Article no.	Page no.	Article no.
9	.11.0000	17	.30.1500	27	.30.0025	35	.77.0052
9	.11.0001	17	.30.1518	27	.31.5006	35	.77.0669
9	.11.0002	18	.33.0275	27	.32.3198	35	.77.0676
9	.11.0004	18	.33.0401	27	.39.6000	35	.77.0678
9	.11.0201	18	.33.0501	27	.59.0016	35	.77.0683
10	.04.9150	18	.33.0709	27	.59.0850	35	.77.0686
10	.10.4000	19	.31.2000	28	.51.2553	35	.77.0695
10	.10.4599	19	.31.5000	28	.51.2563	35	.77.0696
10	.10.5000	19	.31.5006	28	.51.3103	35	.77.0697
10	.32.3020	19	.31.7200	28	.51.3143	35	.77.0699
11	.03.1205	22	.52.0555	29	.44.7413	36	.75.0603
11	.03.3181	22	.52.0634	29	.44.7513	36	.75.1103
11	.12.1004	22	.52.1514	29	.51.2013	36	.75.1603
11	.12.4599	22	.52.1554	30	.51.1003	36	.75.2103
12	.44.7413	22	.52.2014	30	.51.1983	36	.75.2303
12	.44.7500	22	.52.2024	30	.51.1993	36	.75.2603
12	.44.7513	22	.52.3014	30	.51.2503	36	.75.2803
12	.52.0944	22	.52.3024	30	.51.2504	36	.75.3103
12	.52.0954	22	.52.4014	30	.51.2523	36	.75.3303
12	.52.1514	22	.52.4024	30	.51.2533	36	.75.3603
12	.52.1524	22	.52.5014	30	.51.3043	36	.75.3803
13	.13.8300	22	.52.5124	30	.51.6003	36	.75.4103
13	.13.8320	22	.52.7014	31	.04.9200	37	.77.1100
13	.13.8800	22	.52.8014	31	.50.0522	37	.77.1153
13	.13.8802	22	.52.9014	31	.50.1522	37	.77.1183
13	.13.8900	22	.52.9024	33	.77.0373	37	.77.1353
13	.13.8902	23	.52.1012	33	.77.0403	37	.77.1373
13	.13.8950	23	.52.1014	33	.77.0503	38	.77.1243
13	.13.9000	23	.52.1024	33	.77.0513	38	.77.1248
13	.13.9010	23	.52.1054	33	.77.0653	38	.77.1253
14	.13.8100	23	.52.1114	34	.77.0103	38	.77.1283
14	.13.8102	23	.52.1214	34	.77.0123	38	.77.1343
14	.13.8600	23	.52.1314	34	.77.0223	38	.77.1363
14	.13.8602	24	.23.1900	34	.77.0233	39	.77.0723
15	.14.8500	24	.52.2099	34	.77.0273	39	.77.0733
15	.14.8600	24	.52.3099	34	.77.0283	40	.77.0923
15	.14.8700	26	.59.0005	34	.77.0303	40	.77.0933
17	.04.9110	26	.59.0007	34	.77.0333	40	.77.0953
17	.04.9115	26	.59.0008	34	.77.0353	40	.77.0963
17	.04.9117	26	.59.0035	34	.77.0383	40	.77.0973
17	.04.9118	26	.59.0037	34	.77.0583	40	.77.1033
17	.04.9119	26	.59.0038	34	.77.0603	40	.77.1043
17	.30.0005	26	.59.0055	34	.77.0623	40	.77.1063
17	.30.0025	26	.59.0057	34	.77.0633	40	.77.1073
17	.30.0106	26	.59.0058	35	.77.0026	40	.77.1083
17	.30.0107	26	.59.0085	35	.77.0031	40	.77.1093
17	.30.0108	26	.59.0087	35	.77.0034	41	.77.0753
17	.30.0109	26	.59.0088	35	.77.0037	41	.77.0763
17	.30.0500	27	.03.0021	35	.77.0039	41	.77.0773



Ordered by page number

Page no.	Article no.	Page no.	Article no.	Page no.	Article no.	Page no.	Article no.
41	77.0863	43	73.6343	50	37.0408	58	03.3370
41	77.0883	43	73.6353	50	37.0428	58	32.4710
43	73.0163	43	73.6603	50	37.0438	58	33.9002
43	73.0173	43	73.6703	51	37.8578	58	33.9051
43	73.0603	43	73.6803	51	37.8638	58	33.9091
43	73.0613	43	73.6833	51	37.8688	58	33.9101
43	73.0623	43	73.6923	51	37.8798	58	33.9181
43	73.0703	43	73.7113	51	37.8868	58	33.9251
43	73.0843	43	73.7613	52	33.3008	59	32.8501
43	73.0863	45	03.0753	52	33.3108	59	54.5503
43	73.1103	45	32.6340	52	33.3208	59	54.6503
43	73.1253	45	32.6540	52	33.3268	59	54.7503
43	73.1603	45	32.6545	52	33.3308	63	82.0061
43	73.1613	45	32.7040	52	33.3328	63	82.0141
43	73.1623	45	33.9800	52	33.3408	63	82.0146
43	73.1723	46	33.0853	52	33.3508	63	82.0161
43	73.2113	46	33.0903	52	33.3608	63	82.0166
43	73.2213	46	33.0935	52	33.3708	63	82.0171
43	73.2233	46	33.1103	52	33.3808	63	82.0176
43	73.2253	46	33.1203	52	33.3908	63	82.0191
43	73.2303	47	33.1303	53	33.5008	63	82.0201
43	73.2673	47	33.1403	53	33.5108	63	82.0226
43	73.2823	47	33.1703	53	33.5208	63	82.0236
43	73.3103	47	33.2003	53	33.5308	63	82.0261
43	73.3203	47	33.2603	53	33.5408	63	82.0266
43	73.3303	47	33.2703	53	33.5608	63	82.0286
43	73.3613	47	33.2883	53	33.5708	63	82.0341
43	73.3713	47	33.2903	53	33.5808	63	82.0381
43	73.3723	48	38.1305	53	33.5908	63	82.0436
43	73.3813	48	38.1505	53	33.6108	63	82.0851
43	73.4103	48	38.1805	53	33.6208	63	82.1131
43	73.4113	48	38.2605	53	33.6308	63	82.1201
43	73.4203	48	38.2705	53	33.6408	63	83.0061
43	73.4303	48	38.2805	53	33.6508	63	83.0146
43	73.4713	48	38.2905	53	33.8258	63	83.0161
43	73.5103	48	38.3005	53	33.8268	63	83.0236
43	73.5203	49	38.2405	53	33.8278	64	32.8601
43	73.5213	49	38.2435	54	37.7700	64	32.9201
43	73.5303	49	38.2465	54	37.7702	64	32.9529
43	73.5443	50	37.0008	54	37.7710	65	85.0161
43	73.5473	50	37.0028	56	53.4043	65	85.0171
43	73.5603	50	37.0168	56	54.4503	65	85.0191
43	73.5623	50	37.0188	56	59.4010	66	34.0331
43	73.5703	50	37.0198	57	32.2200	66	34.0401
43	73.5803	50	37.0228	57	32.2215	66	34.0441
43	73.5823	50	37.0248	57	32.2216	66	34.0501
43	73.6103	50	37.0288	57	32.4603	66	34.0541
43	73.6223	50	37.0328	57	32.4703	66	34.0721
43	73.6333	50	37.0388	58	03.3365	66	34.0801



Ordered by page number

Page no.	Article no.	Page no.	Article no.	Page no.	Article no.	Page no.	Article no.
66	34.1001	74	23.2507	81	14.3501	84	14.4025
66	34.1241	74	23.2511	81	14.3502	84	14.4500
66	34.1871	75	23.2508	81	14.3505	89	03.0709
66	34.2021	75	23.2601	81	14.3506	89	03.0723
66	34.2241	75	23.2602	82	03.0732	89	03.2114
66	34.3421	75	23.2640	82	03.3401	89	14.6000
67	35.0641	75	23.2650	82	14.2700	89	14.6010
67	35.0661	78	04.1602	82	14.2710	89	14.6020
67	35.0721	78	15.8000	82	14.2800	89	14.6100
67	35.0771	78	15.8100	82	14.3400	89	14.6200
67	35.1071	78	15.8200	83	13.3201	89	14.6400
67	35.1171	78	15.8300	83	14.3926	89	14.6410
67	35.1241	78	15.8500	83	14.3976	89	14.6420
67	35.1411	78	15.8600	83	14.4001	89	14.6450
67	35.1641	78	15.8700	83	14.4026	89	14.6502
67	35.1871	78	15.8800	83	14.4046	89	14.6602
67	35.2171	78	15.9000	83	14.4051	89	14.6700
67	35.2421	78	28.6137	83	14.4076	89	14.6805
67	35.2711	78	28.6145	83	14.4101	89	14.7000
67	35.2801	78	28.6146	83	14.4121	89	14.7010
67	35.2901	78	28.6147	83	14.4126	89	14.7020
68	03.3245	78	28.6180	83	14.4151	89	14.7102
68	30.4000	78	28.6185	83	14.4171	89	14.7120
68	30.4500	79	28.0035	83	14.4176	89	14.7202
68	30.4700	79	28.0937	83	14.4196	89	14.7300
68	31.9700	79	28.0960	83	14.4201	89	14.7405
68	31.9900	79	28.0965	83	14.4226	89	14.7600
69	25.4201	79	28.2038	83	14.4251	89	14.7610
69	25.4501	79	28.2445	83	14.4276	89	14.7615
69	33.8501	79	28.9787	83	14.4301	89	14.7620
69	33.8601	81	03.0717	83	14.4351	89	14.8000
69	90.0883	81	03.3030	83	14.5326	89	14.8010
69	90.1503	81	14.2100	83	14.5376	89	14.8020
72	23.0500	81	14.2150	83	14.5401	89	14.8100
72	23.4300	81	14.2200	83	14.5426	89	14.8200
72	23.5020	81	14.2210	83	14.5451	89	14.8305
72	23.5800	81	14.2211	83	14.5476	89	14.9000
73	23.5030	81	14.2300	83	14.5501	89	14.9100
73	23.5031	81	14.2301	83	14.5526	89	14.9115
73	23.5040	81	14.2310	83	14.5576	89	14.9200
73	23.5041	81	14.2400	83	14.5601		
73	23.5050	81	14.2401	83	14.5651		
73	23.5051	81	14.2500	83	14.5726		
73	23.5060	81	14.2501	83	14.5776		
73	23.5061	81	14.3000	83	14.5801		
74	23.2500	81	14.3001	83	14.5851		
74	23.2502	81	14.3100	84	03.0707		
74	23.2503	81	14.3101	84	14.4010		
74	23.2505	81	14.3373	84	14.4020		