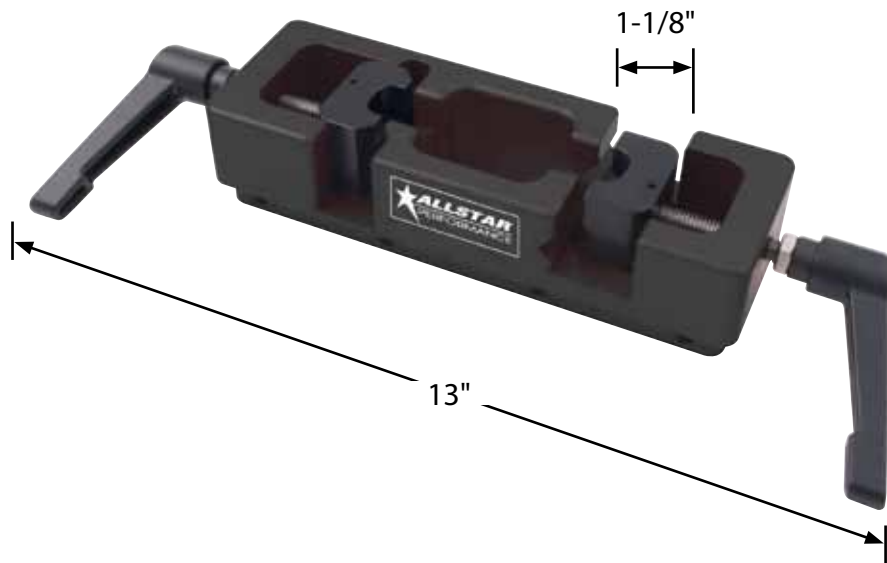




Part No. ALL64264

Shock Workstation

The all-in-one shock workstation holds shock bodies in the upright position for ease of shaft removal or assembly and holds shock shafts vertical or horizontal for easier repairs or revalving. Aluminum construction workstation can be placed in a vise and has 1/4" threaded holes for custom mounting.



REV012417