

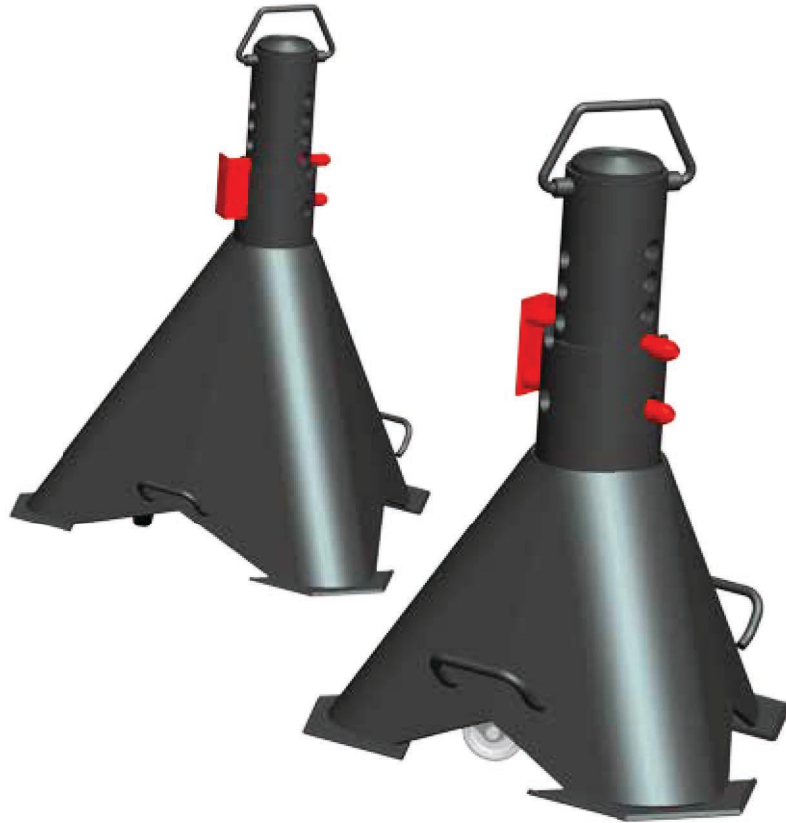
# HEAVY DUTY JACK STANDS



Product No.  
14220 & 14225

## OPERATING INSTRUCTIONS

20, & 25 Ton Versions



CERTIFICATIONS:



AS/NZS 2538:2004

ASME/ANSI

PALD 2009



**WARNING: READ INSTRUCTIONS COMPLETELY PRIOR TO USE**

## INTRODUCTION:

This manual contains information to help you to learn about the safe and proper use of the AME Jack Stands. The instructions included in this manual are not necessarily all-inclusive. AME cannot anticipate all conceivable or unique situations. You must make sure all conditions and procedures do not jeopardize your personal safety.

**DISCLAIMER:** All information, images, and specifications contained in this manual are based on the latest information available at the time of publication. AME reserves the right to make changes at any time without notifying any person or organization of such revisions or changes. AME is not liable for incidental or consequential damages (including lost profits) in connection with the furnishing, performance, or use of this material. If necessary, obtain additional information from the vehicle manufacturer.

## SAFETY PRECAUTIONS:

**Before using AME Jack Stands, read, understand, and follow the safety precautions and operating instructions outlined in this manual.** This equipment must be operated by qualified personnel. The operator must be familiar with the vehicle this tool is being used on

- If the operator cannot read English, operating instructions and safety precautions must be read and discussed in the operator's native language.
- Si el operador no puede leer inglés, las instrucciones de operación y las precauciones de seguridad deberán leerse y comentarse en el idioma nativo del operador.
- Si l'utilisateur ne peut lire l'anglais, les instructions et les consignes de sécurité doivent lui être expliquées dans sa langue maternelle.

## PERSONAL PROTECTION/IMPORTANT INFORMATION

### ⚠ WARNING



**Read the Manual:** To avoid personal injury or death, carefully read and understand all instructions before attempting to operate any equipment or tools. Do not operate or work on a machine unless you read and understand the instructions and warnings in this and all other applicable manuals.



**Ear Protection:** To prevent possible damage to your hearing, always wear ear protection when working around noise generating tools.



**Eye & Face Protection:** To avoid eye injury, always wear protective glasses or face shield that meets ANSI Z87+ Standards. Make sure no one can be injured by flying objects or debris when using tools or working on a component.

## HAZARD AVOIDANCE

### ⚠ WARNING



**Inspect Equipment:** Inspect prior to each use for dents, cracks, bends, or worn parts. If damage is found, discontinue use until inspected and released by an approved inspector at the dealership.



**Crushing Hazard:** The AME Jack Stands are very heavy. Specific weights are detailed in this manual. Personal injury can result from dropped tooling. Use caution when transporting, installing, removing, and storing the tooling.



**Pinch Point Hazard:** Personal injury can result from pinch points. Use caution when assembling, using, and removing the AME Jack Stands. **DO NOT** place your hand or any part of your body between the AME Jack Stands and the vehicle components.

## PERSONAL PROTECTION/IMPORTANT INFORMATION

### ⚠ WARNING



Fire/ Smoking Hazards: Clean up all leaked fluids immediately. Oil, fuel, or cleaning fluid leaked

or spilled onto any hot surfaces or electrical components can cause a fire, resulting in personal injury or death.



**Slip & Fall Hazard:** Personal injury can result from slips or falls.

DO NOT leave tools or components laying around the work area. Clean up all spilled fluids immediately.

## PROHIBITED ACTION

### ⚠ WARNING



To avoid serious or fatal injury, only use the AME Jack Stand for its intended purpose, which is supporting heavy items within the WLL and requirements in this manual.



To avoid serious or fatal injury, do not exceed the Working Load Limit (WLL) of any AME Jack Stand component.

## HAZARD AVOIDANCE

### ⚠ WARNING



**Additional Crushing Hazard:** Personal injury or death can result from improper use of this tool and supporting of the

load. Make sure the AME Jack Stands are used only on a flat, dry, level, and hard surface. Do not work beneath any supported load.



To avoid damage to the tooling, do not weld on the components. Do not modify the AME Jack Stands in any way by welding, heating with a torch, drilling, machining, or grinding.

## OBJECTIVE:

The AME Jack Stands are designed to be a safe and effective tool for the maintenance, service and repair of midsize to large equipment. Please take a few minutes to review this user's guide in order to familiarize yourself with all of the included components of the AME Jack Stands, Instruction Procedures and Safety Warnings.

**⚠ WARNING!:** *Potential Crush Hazard! DO NOT work beneath load.*

- ➔ *Be sure load is secure.*
- ➔ *Keep load centered in stand.*
- ➔ *Follow maximum capacity ratings.*

**CAUTION: DO NOT operate/use these jack stands without reading and completely understanding the Owner's and Instruction Manual FIRST!!**

## 20 TON JACK STAND PARTS/ACCESSORIES:

Standard Height Range: 23.5" - 34"

PART No.	DESCRIPTION	QTY	WEIGHT
14220-001	Tube - Short (Included)	1	44 lbs
14220-002	Tube - Medium (34" - 44.5")	*	64 lbs
14220-003	20 Ton Base Only	1	98 lbs

\*Accessories Available but not included



14220-003



14220-002



14220-001

## 25 TON JACK STAND PARTS/ACCESSORIES:

Standard Height Range: 31.8" - 42.3"

KL30066	Lock Pin & Lanyard	1	5 lbs
14225-001	Tube - Long (49.5" - 69")	* **	90 lbs
14225-002	Tube - X-tra Long (65.2" - 84.7")	* **	120 lbs
14225-003	25 Ton Base Only	1	156 lbs

\*Accessories Available but not included    \*\*25 ton use only



14225-003



14225-002



14225-001

# JACK STAND SERIAL NUMBERS:

Use this section to record Jack Stand serial numbers and date of purchase.

Product Number	Date Purchased	Serial Number (Jack Stand Only)

**⚠️ WARNING!:** *Loads can be unstable and heavy! Extreme caution should be exercised while working near/around heavy supported loads.*

## BEFORE USE:

1. Verify that the Jack Stand and the application are compatible. Review the weight of the load to be supported by the Jack Stand(s) and ensure that the load will not surpass the WLL of each Jack Stand to be used.
2. Inspect each component of the Jack Stand before each use. Do not use if there are bent, broken, cracked, or damaged components (including labels). Any Jack Stand that appears damaged in any way, operates abnormally, or is missing parts must be removed from service immediately. Any Jack Stand that is subjected to a shock load must be removed from service immediately. Any Jack Stand removed from service must be fully inspected by qualified personnel before returning to service. It is recommended that, at the very minimum, all unused Jack Stand components be inspected annually.

## OPERATING INSTRUCTIONS:

1. Plan the location of the Jack Stand(s) in relation to the load and the surface for supporting the Jack Stand. Ensure the load to be supported will be balanced and not cause the Jack Stands and load to become unstable.
2. Position each Jack Stand near the location planned in step 1. Measure and determine which tube should be used in the Jack Stand. (20 and 25 Ton only)

**NOTE:** *Always refer to a vehicle's operating or service manual for location of proper lift and support points.*

**⚠️ WARNING!:** *AME International Jack Stands must be used only on a surface that is flat, dry, level, and hard and capable of supporting the combined weight of the load and Jack Stand(s). Clean up any debris on the floor in working area.*

**⚠️ WARNING!: *It is highly recommended to use the Jack Stands in pairs for stability!***

3. Raise the tube of the Jack Stand up to the load. Install the double pin fully through both walls of the tube and base.
4. Raise the load using a properly rated jack or hoist.
5. Position the Jack Stand(s) under the load in the location planned in Step 1.

**⚠️ WARNING!: *To prevent personal injury, verify that the double pin is fully installed before loading the Jack Stand!***

6. Slowly and carefully lower the load onto the Jack Stand(s).
7. If the load is a vehicle, any wheels/tires remaining in contact with the ground **must be chocked** in both directions to help prevent inadvertent movement.
8. Verify that the load and Jack Stands are stable. If not, raise the load again and reposition the Jack Stands until a stable condition is achieved.

**⚠️ WARNING!: *Be sure that all tools and personnel are clear before removing Jack Stands and lowering the load.***

## **LOWERING A LOAD:**

1. Raise the load using a properly rated jack or hoist enough to clear the Jack Stand(s).
2. Carefully remove the Jack Stand(s) from underneath the load and carefully lower the load using the properly rated jack or hoist.
3. Carefully remove the double pin and lower the tube of the Jack Stand to its lowest position. Reinstall the double pin fully through both walls of the tube and base with the tube at the lowest position for storage.

## **MAINTENANCE:**

Inspect each Jack Stand component after use. Ensure all parts move freely and are not damaged. Do not apply oil or grease to any part of the Jack Stand(s). Wipe the Jack Stand(s) clean after use to help prevent rust.

## **STORAGE:**

Always store Jack Stand(s) in the upright position and in a clean and dry area to help prevent rust.

## **ADDITIONAL WARNINGS:**

1. Do not wear loose clothing or jewelry as they can be caught in Jack Stand components.
2. Do not use the Jack Stand if there are bent, broken, cracked, or damaged components (including labels).
3. Do not use Jack Stand(s) as a permanent stand for a load. Use them only to temporarily support a load for the means of service, repair, maintenance, or other short-term tasks.