



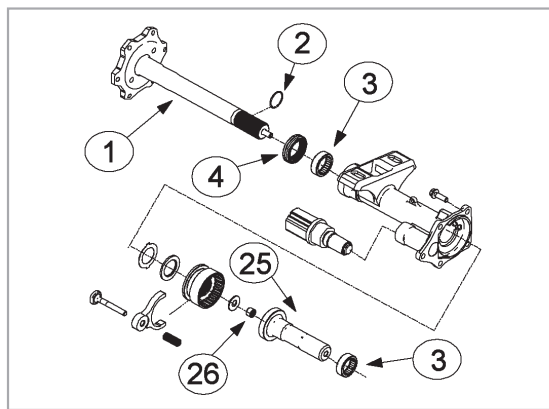
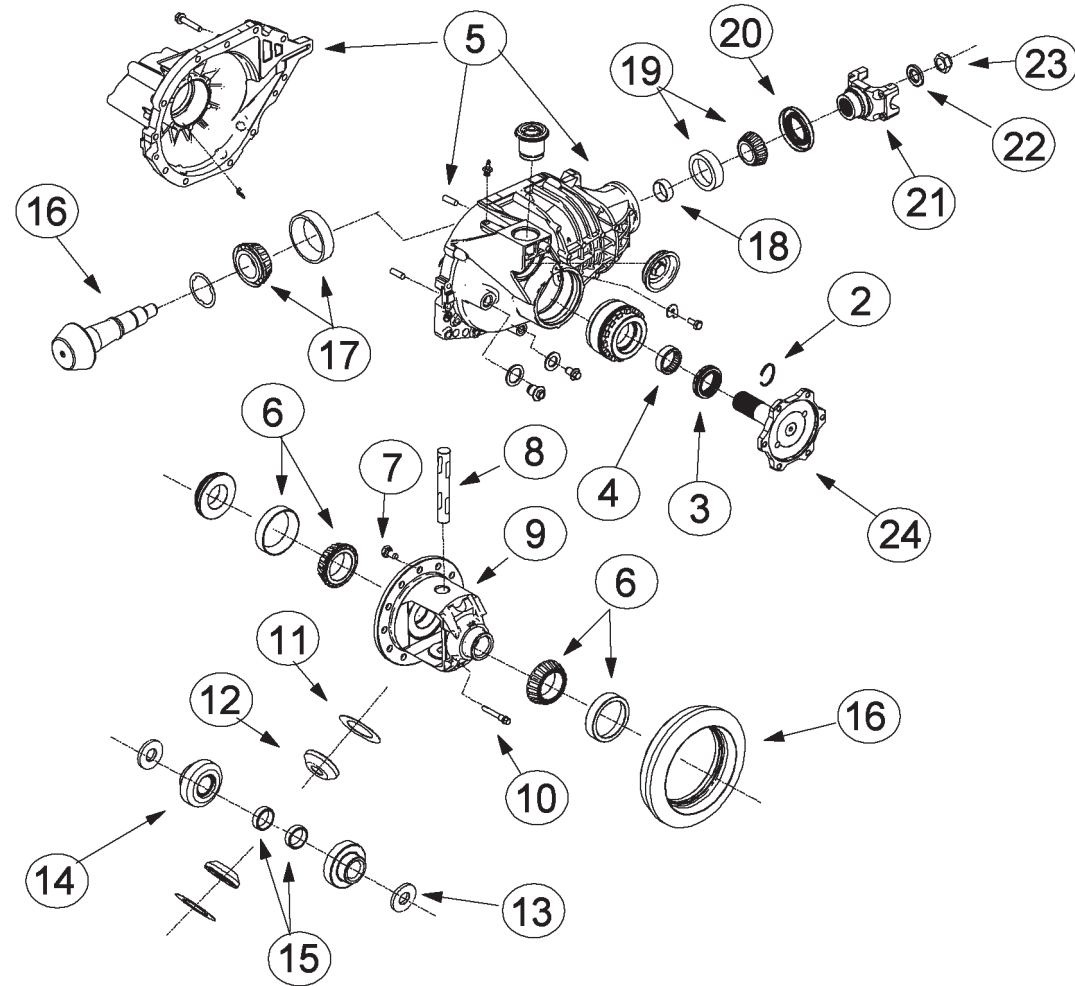
**Demand the original.**

Axle Components | Driveshaft Components | Repair Kits

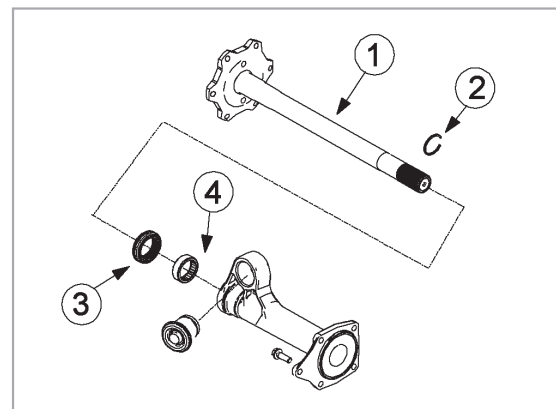


**AAM 925 IFS**

**GM 9.25" FRONT AXLE**



4WD



AWD

| ILL # | AAM PART NUMBER       | OE PART NUMBER | DESCRIPTION  | REQ | USAGE              | MODEL YEAR |
|-------|-----------------------|----------------|--|-----|--------------------|------------|
| 1     | 40057072              | 19206697       | AXLE SHAFT (517 MM; 33 TOOTH; 6 BOLT)<br><i>NOTE: can service 1997-2008 if used with internal gear kit 74040363</i>      | 1   | AWD                | 2008+      |
| 1     | 40039201              | 15801500       | AXLE SHAFT (357 MM; 33 TOOTH; 6 BOLT) RH   | 1   | 4WD                | 1999+      |
| 2     | 74001878              | 15521878       | AXLE SHAFT RETAINING RING  | 2   | 4WD                | 1988+      |
| 3     | 40051283              | 19169124       | OUTPUT SEAL  | 2   | 4WD & AWD          | 1997+      |
| 4     | 74001873              | 15521873       | ROLLER BEARING ASM   | 2   | 4WD & AWD          | 1998+      |
| 5     |                       |                | CARRIER HOUSING  |     | FOR REFERENCE ONLY |            |
| 6     | 74005123              | 11505123       | DIFF. CASE BEARING ASM (CUP & CONE)  | 2   | 4WD & AWD          | 1988+      |
| 7     | 74002703              | 14012703       | RING GEAR BOLT W/ ADHESIVE   | 12  | 4WD & AWD          | 1988+      |
| 8     | AVAILABLE IN KIT ONLY |                | PINION SHAFT   | 1   | 4WD & AWD          | 1988+      |
| 9     | 74032695              | 14012695       | DIFFERENTIAL OPEN CASE (WITHOUT INTERNALS)   | 1   | 4WD & AWD          | 1988+      |
| 9     | 40035046              |                | DIFFERENTIAL OPEN CASE ASSEMBLY (WITH INTERNALS)   | 1   | GMT800/ 900/H2     | 2005+      |
| 10    | AVAILABLE IN KIT ONLY |                | PINION SHAFT LOCK SCREW  | 1   | 4WD & AWD          | 1988+      |
| 11    | AVAILABLE IN KIT ONLY |                | PINION THRUST WASHER   | 2   | 4WD & AWD          | 1988+      |
| 12    | AVAILABLE IN KIT ONLY |                | PINION GEAR  | 2   | 4WD & AWD          | 1988+      |
| 13    | AVAILABLE IN KIT ONLY |                | SIDE THRUST WASHER   | 2   | 4WD & AWD          | 1988+      |
| 14    | AVAILABLE IN KIT ONLY |                | SIDE GEAR  | 2   | 4WD & AWD          | 1988-2007  |
| 14    | AVAILABLE IN KIT ONLY |                | SIDE GEAR  | 2   | 4WD & AWD          | 2008+      |
| 15    | AVAILABLE IN KIT ONLY |                | SIDE GEAR SPACER   | 2   | 4WD & AWD          | 1988+      |
| 16    | 26060068              |                | RING & PINION GEARSET (3.42 RATIO; 2 CUT)  | 1   | 4WD                | 1988+      |
| 16    | 40058536              |                | RING & PINION GEARSET (3.73 RATIO; 2 CUT)  | 1   | 4WD                | 1988+      |
| 16    | 40072307              |                | RING & PINION GEARSET (4.10 RATIO; 2 CUT)  | 1   | 4WD & AWD          | 1988+      |
| 16    | 26060058              |                | RING & PINION GEARSET (4.56 RATIO; 2 CUT)  | 1   | 4WD                | 1988+      |
| 17    | 74007108              | 457108         | LARGE PINION BEARING (CUP & CONE)  | 1   | 4WD & AWD          | 1988+      |
| 18    | 74002691              | 14012691       | COLLAPSIBLE SPACER   | 1   | 4WD & AWD          | 1988+      |
| 19    | 74007781              | 9417781        | SMALL PINION BEARING ASM (CUP & CONE)  | 1   | 4WD & AWD          | 1988+      |
| 20    | 40007712              | 12471590       | PINION SEAL  | 1   | 4WD & AWD          | 1997+      |
| 21    | 40025925              | 88967027       | PINION YOKE (1344 UJT; 4 FOOTED)   | 1   | 4WD & AWD          | 1988+      |
| 22    | 74007900              | 517900         | PINION NUT WASHER  | 1   | 4WD & AWD          | 1988+      |
| 23    | 74003762              | 9783762        | PREVAILING TORQUE PINION NUT   | 1   | 4WD & AWD          | 1988+      |
| 24    | 40057071              |                | OUTPUT SHAFT (148 MM; 33 TOOTH; 6 BOLT) LH<br><i>NOTE: can service 1997-2008 if used with internal gear kit 74040363</i> | 1   | GMT 900/H2         | 2009+      |
| 25    | 74021907              | 19121909       | INNER OUTPUT SHAFT   | 1   | 4WD                | 1988+      |
| 26    | 74009615              | 26029615       | INNER OUTPUT SHAFT BEARING ASM   | 1   | 4WD                | 1988+      |

**VEHICLE REFERENCE GUIDE**

- C TRUCK - 2-WHEEL DRIVE FULL-SIZE TRUCK & UTILITY
- K TRUCK - 4-WHEEL DRIVE FULL-SIZE TRUCK & UTILITY GMT800/900



# Demand the original.

Axle Components | Driveshaft Components | Repair Kits



## AAM 925 IFS

### 74010011 9.25" FRONT CLAMSHELL - MASTER INSTALL KIT

Sierra, Silverado, Suburban, Yukon XL, Avalanche, H2  
MODEL YEAR 1999 to Current

| AAM PART # | O.E. PART # | DESCRIPTION                       | QTY |
|------------|-------------|-----------------------------------|-----|
| 40051283   | 19169124    | OUTPUT SEAL                       | 2   |
| 40040610   |             | SNAP RING                         | 2   |
| 40026655   |             | VENT CONNECTOR                    | 1   |
|            | 26036835    | TUBE BOLT W/ WASHER & ADHESIVE    | 5   |
|            | 26041516    | ROLLER BEARING ASM I/O            | 1   |
|            | 15521875    | DIFFERENTIAL ADJUSTER LOCK        | 1   |
|            |             | OUTPUT SHAFT SHIM                 | 20  |
|            | 14045736    | CARRIER BOLT W/ WASHER & ADHESIVE | 11  |
|            |             | PINION SHIM                       | 18  |
|            | 26058815    | DRAIN PLUG W/ MAGNET              | 1   |
|            | 15521875    | DIFFERENTIAL ADJUSTER LOCK        | 1   |
| 74002691   | 14012691    | COLLAPSIBLE SPACER                | 1   |
| 40051849   |             | THRUST WASHER                     | 1   |
|            | 14042602    | FILL/DRAIN PLUG WASHER            | 1   |
| 74003762   | 9783762     | PREVAILING TORQUE PINION NUT      | 1   |
| 74002703   | 14012703    | RING GEAR BOLT W/ ADHESIVE        | 12  |
|            | 26031703    | SNAP RING                         | 1   |
|            | 15521872    | SNAP RING                         | 1   |
|            | 11503877    | ADJUSTER BOLT                     | 1   |
|            | 15530296    | ROLLER BEARING ASM I/O            | 1   |
| 40007712   |             | PINION SEAL                       | 1   |
|            | 476753      | FILL PLUG                         | 1   |
| 46002040   |             | VENT CONNECTOR - H2 ONLY          | 1   |
| 40027570   |             | VIEW PLUG ASSEMBLY                | 1   |
| 7401873    | 15521873    | ROLLER BEARING ASM                | 2   |
|            | 360570      | DOWEL PIN                         | 2   |
|            | 11503963    | ADJUSTER BOLT LOCK WASHER         | 1   |
| 74007900   | 517900      | PINION NUT WASHER                 | 1   |
|            | 14042602    | FILL/DRAIN PLUG WASHER            | 1   |

## GM 9.25" FRONT AXLE

### 74067005 9.25" FRONT CLAMSHELL - MASTER BEARING KIT

Silverado, Sierra, Yukon XL, Suburban, Avalanche  
MODEL YEAR 1988 to 2011

| AAM PART # | O.E. PART # | DESCRIPTION                  | QTY |
|------------|-------------|------------------------------|-----|
|            | 454459      | PINION HEAD BEARING ROLLER   | 1   |
|            | 457258      | PINION HEAD BEARING RACE     | 1   |
|            | 9417782     | PINION TAIL BEARING ROLLER   | 1   |
|            | 9417783     | PINION TAIL BEARING RACE     | 1   |
| 74003762   | 9783762     | PREVAILING TORQUE PINION NUT | 1   |
| 74007900   | 517900      | PINION NUT WASHER            | 1   |
| 74002691   | 14012691    | COLLAPSIBLE SPACER           | 1   |
|            | 11505124    | DIFF BEARING ROLLER          | 2   |
|            | 11505125    | DIFF BEARING RACE            | 2   |
|            | 26064029    | PINION SEAL                  | 1   |

*\*Note: GM 9.25" IFS use Pinion Seal 40007712 - order separately*

### 74047037 9.25" FRONT CLAMSHELL - 33 TOOTH - DIFFERENTIAL GEAR KIT

Sierra, Silverado, Suburban, Yukon XL, Avalanche, H2 2500  
MODEL YEAR 1988 to 2006

| AAM PART # | O.E. PART # | DESCRIPTION             | QTY |
|------------|-------------|-------------------------|-----|
|            |             | PINION GEAR             | 2   |
|            |             | PINION THRUST WASHER    | 2   |
|            |             | SIDE GEAR               | 2   |
|            |             | PINION SHAFT            | 1   |
|            |             | SIDE THRUST WASHER      | 2   |
|            |             | PINION SHAFT LOCK SCREW | 1   |

### 74020008 9.25" FRONT CLAMSHELL - PINION SEAL KIT

Sierra, Silverado, Suburban, Yukon XL, Avalanche, H2  
MODEL YEAR 1999 to Current

| AAM PART # | O.E. PART # | DESCRIPTION                  | QTY |
|------------|-------------|------------------------------|-----|
| 40007712   |             | PINION SEAL                  | 1   |
| 74002691   | 14012691    | COLLAPSIBLE SPACER           | 1   |
| 74003762   | 9783762     | PREVAILING TORQUE PINION NUT | 1   |
| 74007900   | 517900      | PINION NUT WASHER            | 1   |

### 74050005 9.25" FRONT CLAMSHELL - OUTPUT SHAFT SEAL KIT

Sierra, Silverado, Suburban, Yukon XL, Avalanche, H2  
MODEL YEAR 1997 to Current

| AAM PART # | O.E. PART # | DESCRIPTION                    | QTY |
|------------|-------------|--------------------------------|-----|
| 40051283   | 19169124    | OUTPUT SEAL                    | 2   |
| 7401873    | 15521873    | ROLLER BEARING ASM             | 2   |
|            | 26036835    | TUBE BOLT W/ WASHER & ADHESIVE | 5   |
|            | 26041516    | ROLLER BEARING ASM I/O         | 1   |
| 40040610   |             | SNAP RING                      | 1   |
|            | 15530296    | ROLLER BEARING ASM I/O         | 1   |
|            | 26031703    | SNAP RING                      | 1   |
| 40051849   |             | THRUST WASHER                  | 1   |

### 74080008 9.25" FRONT CLAMSHELL - DISCONNECT SHIFTER KIT

Sierra, Silverado, Suburban, Yukon XL, Avalanche  
MODEL YEAR 2001 to Current

| AAM PART # | O.E. PART # | DESCRIPTION                    | QTY |
|------------|-------------|--------------------------------|-----|
|            | 26036835    | TUBE BOLT W/ WASHER & ADHESIVE | 5   |
| 40029252   |             | I/O AXLE SHAFT                 | 1   |
|            | 26041516    | ROLLER BEARING ASM I/O         | 1   |
| 40007547   |             | SHIFTER FORK                   | 1   |
| 40007173   |             | ACTUATOR                       | 1   |
|            |             | WASHER                         | 20  |
|            | 15588371    | RETURN SPRING                  | 1   |
| 40058706   |             | DISCONNECT SLEEVE              | 1   |
|            | 26031703    | SNAP RING                      | 2   |
| 40051849   |             | THRUST WASHER                  | 1   |
|            | 15530296    | ROLLER BEARING ASM I/O         | 1   |