

GOATS[®]

50/60/70/80/90

X-Model Series

Rim Clamp[®] Tire Changers

AMMCO

For servicing single piece automotive and most tubeless light truck tire/wheel assemblies.

Any other type, including tube type and agricultural, require special handling. Tires identified as truck tires need to adhere to OSHA standard 1910.177.



50X-EH-1 Shown
with optional
Robo-Arm[®] installed



90X-EH-L Shown

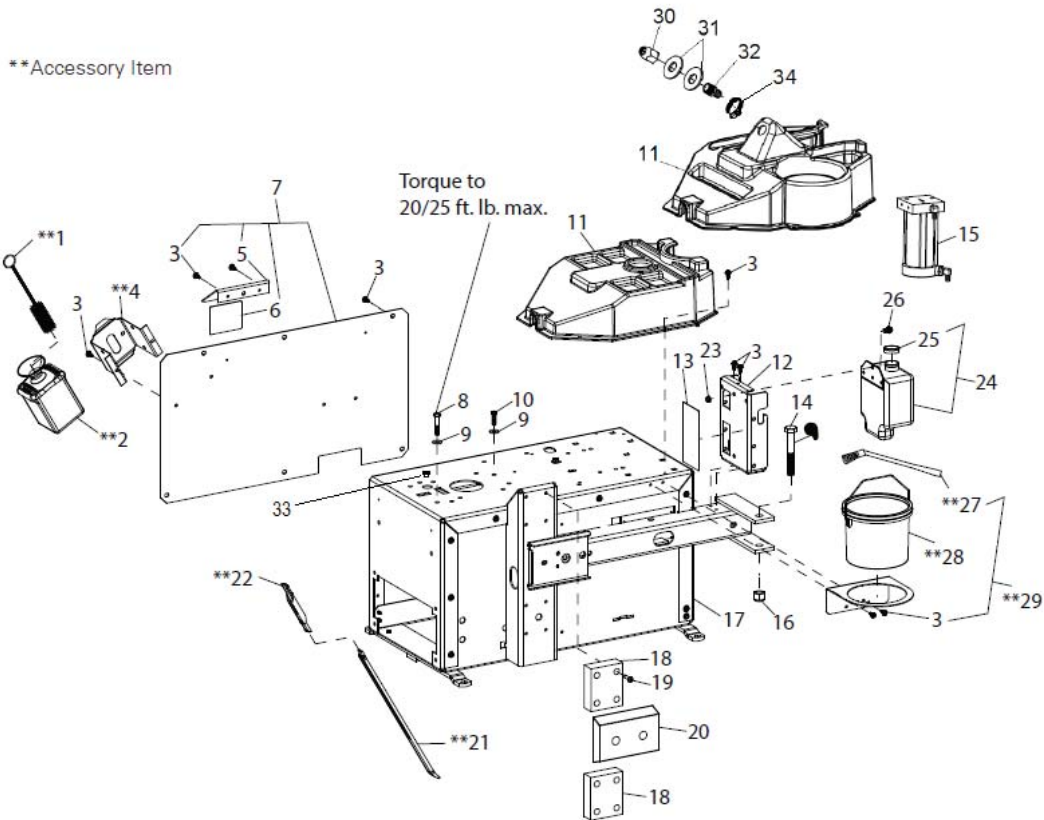
Parts Identification

READ these instructions before placing unit in service. KEEP these and other materials delivered with the unit in a binder near the machine for ease of reference by supervisors and operators.

HENNESSY
INDUSTRIES

Chassis System

Item	Part No.	Description	Item	Part No.	Description
**1	80004911	Lube Applicator	19	8182088	5/16-18 x 1-1/4 TPHST Screw, Gr.5
**2	81062591	Lube Bottle (Red)	20	8181855	B.L. Center Pad
3	8106301	1/4" Hex Hd Self Tap Screw, Gr.5	**21	8181354	Bead Lifting Tool (Optional on Leverless Unit)
**4	8182809	Lube Bottle Bracket	**22	85000783	Lift Tool Bootie Kit, Pkg of 10
5	8182811	Inflation Pedal Cover	23	924724	312-18 Hex Flange Nut
6	8181285	Inflation Pedal Decal	24	856104041	Tank Reservoir w/Cap
7	85607585	Metal Side Panel	25	81856301	Tank Reservoir Cap, Red Push-On St
8	8182040	M10-1.5 x 55MM Hex Hd.Cap Scr, Gr.8.8	8561040601		Tank Reservoir Cap Black Screw-On Style
9	8301032	3/8 Flat Washer, Zinc Plate	26	8183452	5/16-18x5/8 HWHCS Screw
10	8107715	3/8-16 x 1-1/4 Hex Hd. Cap Scr, Gr.5	**27	85000850	Tire Paste Brush
11	8181964	Plastic Accessory Tray	**28	81837101	Universal Mounting Paste
	85608840	Plastic Accessory Tray for Air Nozzle	**29	85009048	Lube Bucket Bracket & Brush Kit
12	85611044C2	Lubricator Bracket	30	85608894	Inflation Nozzle Cone
13	8183778	Lubrication Notice Decal	31	85610693	Washer
14	85608582	3/4 x 3-1/2 SHSHS Screw	32	8104573	3/4" Straight Fitting
15	85609778	Water Separator Assy (Air Motor Machines Only)	33	85610108	Plug, 1" Dia.
16	8120055	5/8-11 Hex Nut	34	8101346	Clamp-Hose, 1/2 X 1-1/4
17	8182041	Chassis			**Accessory Item
18	8181851	B.L. Pad, Front			



APPLY GREASE TO THESE LOCATIONS

BL Arm Assembly

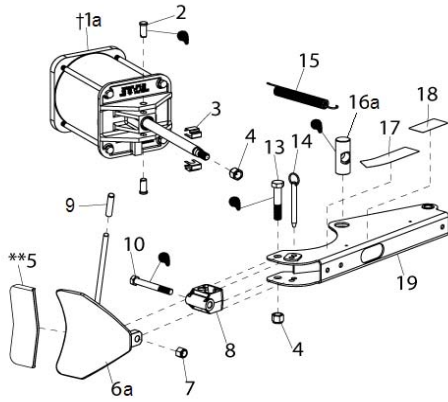
Item	Part No.	Description
†1a	8183312	B.L. Cylinder, 3/8" Fitting (Foot Ops)
†1b	81833124	B.L. Cylinder, 1/4" Fitting (Hand Ops)
†1c	81833125	B.L. Cylinder, 1/4" Fitting w/Heim Joint (70 Series, Hand Ops)
†1d	81833123	B.L. Cylinder, 1/4" Fitting (Hand Ops)
2	8181949	5/8 x 1-3/8 Clevis Pin
3	8181912	Clevis Clip
4	8182016	3/4"-10 Nylon Insert Lock Nut, Gr.5
**5	8183606	Shoe Bootie Kit, Pkg of 2
6a	8183529	B.L. Shoe, w/handle (Foot Ops)
6b	85608038	B.L. Shoe, Handle & Pivot W/C (Hand)
6c	85009199	B.L. Shoe, w/handle (Hand Ops)
7	8182043	5/8-11 Nylon Insert Lock Nut Gr.5
8	8181951	B.L. Shoe Pivot Bracket
9	70002301	1/2" Rubber Hand Grip (Foot Ops)
10	8182011	5/8-11 x 5" Hex Hd Cap Scr, Gr.5
*11	see p.22	B.L. Arm Valve
	see p.22	B.L. Arm Valve (old style)
12	902189	1/4-20 x.504 HHCS
13	8182009	3/4-10 x 3 3/4" HHCS
14	8120326	ø1/2" Hitch Pin

Item	Part No.	Description
15	8180230	B.L. Spring
16a	8182550	Pivot Pin, B.L. Cylinder Rod (Foot Ops)
16b	85607837	Pivot Pin, B.L. Cylinder Rod (Hand Ops)
17	8181970	Bead Loosener Caution Decal
18	85611207	Bead Loosener Caution Decal
19	8182002	B.L. Arm
20	81855583	Shoulder Screw (sold as 3 pack)
21	925757	10/24 x 1" HHCS Screw
22	8301035	3/8-16 Hex Nyloc Nut
23	8182682	10-24 Nylon Insert Lock Nut Gr.5
24	85608037	Lever Link
25	8106301	1/4" Hex Hd Self Tap Screw, Gr.5
26	8182044	Neoprene Cushion Clamp
27	85610228	B.L. Lever Assembly
28	85608569	Heim Joint
30	85608567	Spacer
31	85608566	Spacer
32	8182579	Screw

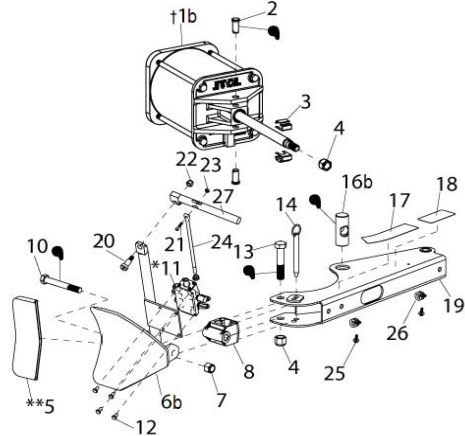
†Cylinder Assemblies
***Valve (available only as individual component, see page 22)**

**Accessory Item

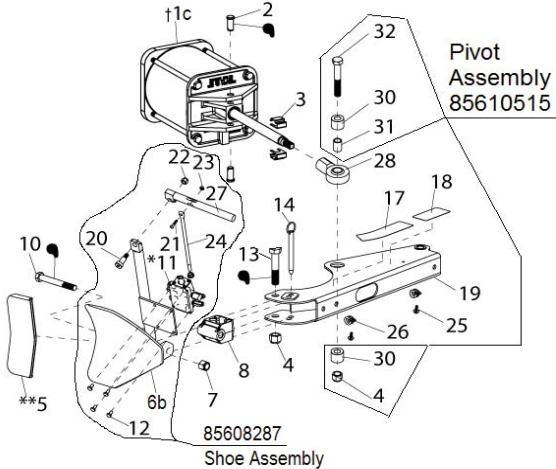
BL Arm Assembly (Foot Operated)



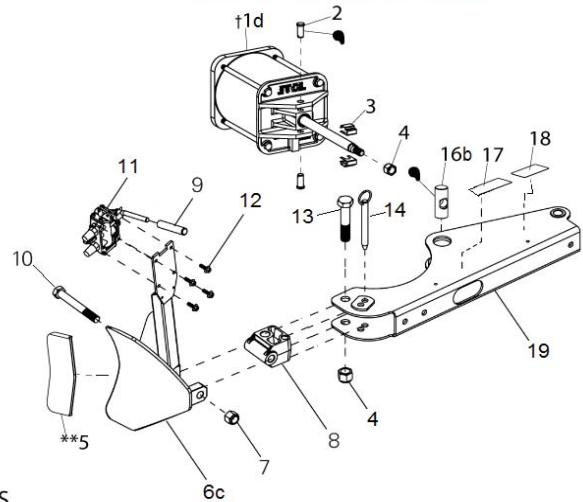
BL Arm Assembly (Hand Operated)



BL Arm Assembly (70-Series, Hand Operated)
 Valve on Shoe



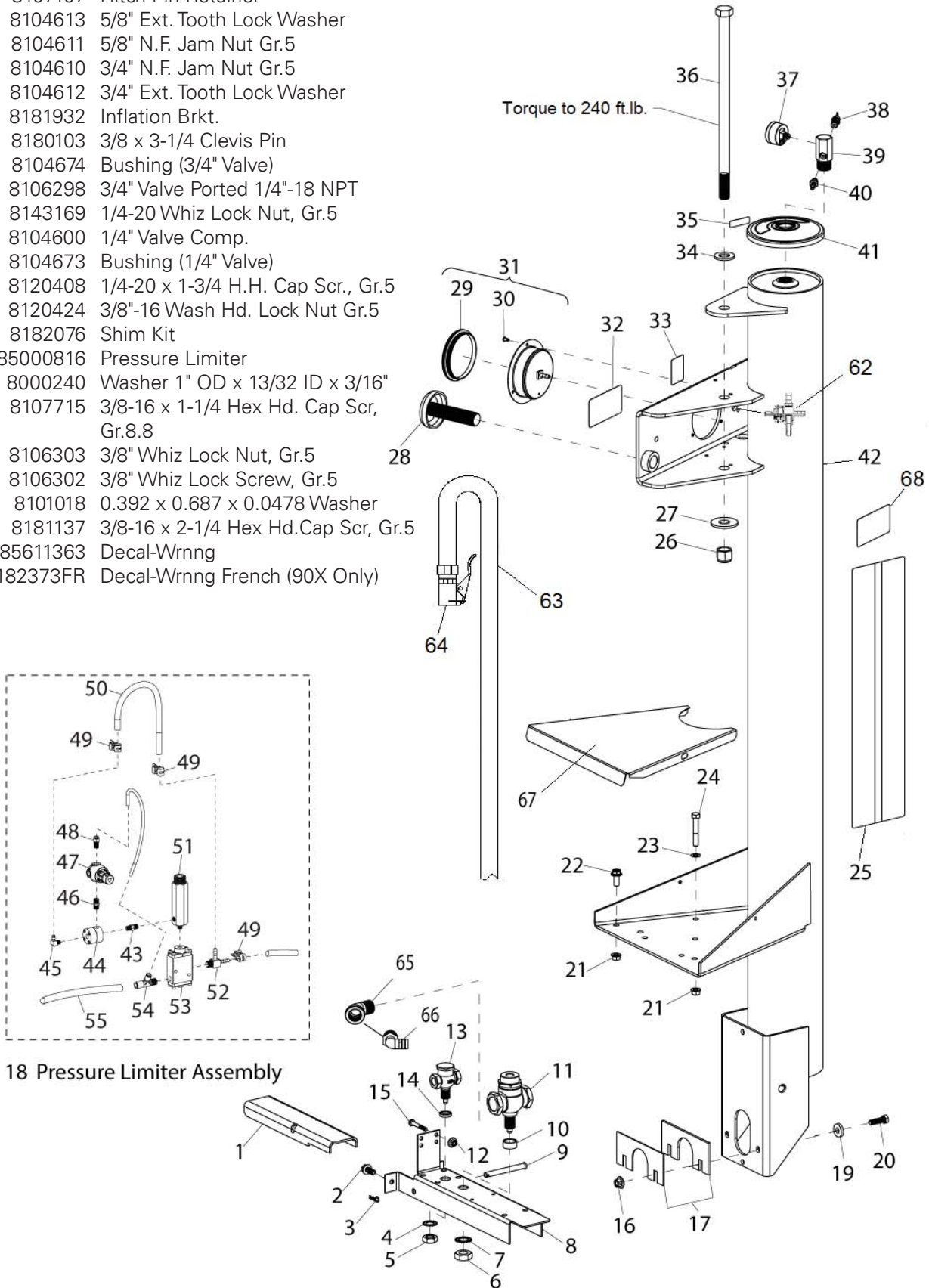
B.L. Arm Assembly - Hand Operated
 Older model - Valve on Handle

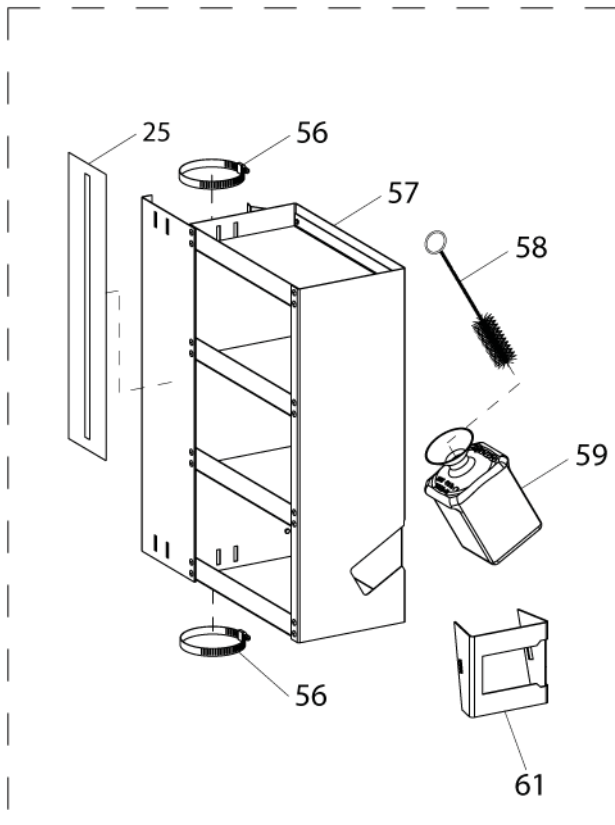


● APPLY GREASE TO THESE LOCATIONS

Inflation Bracket and Tower Assembly

Item	Part No.	Description
1	8181933	Pedal Inflation
2	8102459	3/8" Self Tap Screw Gr.5
3	8107407	Hitch Pin Retainer
4	8104613	5/8" Ext. Tooth Lock Washer
5	8104611	5/8" N.F. Jam Nut Gr.5
6	8104610	3/4" N.F. Jam Nut Gr.5
7	8104612	3/4" Ext. Tooth Lock Washer
8	8181932	Inflation Brkt.
9	8180103	3/8 x 3-1/4 Clevis Pin
10	8104674	Bushing (3/4" Valve)
11	8106298	3/4" Valve Ported 1/4"-18 NPT
12	8143169	1/4-20 Whiz Lock Nut, Gr.5
13	8104600	1/4" Valve Comp.
14	8104673	Bushing (1/4" Valve)
15	8120408	1/4-20 x 1-3/4 H.H. Cap Scr., Gr.5
16	8120424	3/8"-16 Wash Hd. Lock Nut Gr.5
17	8182076	Shim Kit
18	85000816	Pressure Limiter
19	8000240	Washer 1" OD x 13/32 ID x 3/16"
20	8107715	3/8-16 x 1-1/4 Hex Hd. Cap Scr, Gr.8.8
21	8106303	3/8" Whiz Lock Nut, Gr.5
22	8106302	3/8" Whiz Lock Screw, Gr.5
23	8101018	0.392 x 0.687 x 0.0478 Washer
24	8181137	3/8-16 x 2-1/4 Hex Hd. Cap Scr, Gr.5
25	85611363	Decal-Wrning
	8182373FR	Decal-Wrning French (90X Only)





Item	Part No.	Description
26	8182016	3/4"-10 Nylon Insert Lock Nut, Gr.5
27	8100994	3/4 Flat Washer
28	8181114	Adjusting Knob Assy
	85607820	Adjusting Lock Knob (Leverless)
29	8107517	Gauge Lens, Screw On
30	8107983	Plastic Fastener
31	85610709	Flanged Air Gauge w/Fasteners
32	8109888	Inflation Warning Decal
33	8183597	Release Valve Decal
34	8182457	3/4" SAE Washer
35	8182059	Line Press Gauge Decal
36	8183635	3/4-10 x 14-1/2" Hex Hd. Cap Scr, Gr.5
37	8108968	Air Gauge
38	8182599	Safety Valve
39	8183434	Manifold/Gauge
40	8000378	1/4" Brass St. Fitting
41	8182458	Plastic Cap (Tower)
42	8183622	Tower/Air Receiver
	8183764	Tower/Air Receiver (7665)
43	8109471	1/8" Brass Hex Nipple
44	8109468	Pressure Repeater
45	8110497	Male Elbow 1/8 NPT x 1/4 Hose
46	8109472	1/8" Inline Filter
47	8111083	Regulator
48	8182035	1/8 NPT x 1/4 Tube Male St. Fit.
49	85606362	13mm Spring Hose Clamp
50	8103649	ø1/4 x 12" Hose
51	8110496	Volumn Chamber
52	8110325	1/4" NPT Male Run Tee
53	8109466	Piloted Valve
54	8111255	1/4 NPT x 3/8 x 1/4 Spl Tee
55	8184459	3/8 x 25" Black Rubber Hose
56	8182221	6" Hose Clamp
57	85610105	Accessory Box Assembly
58	8000491	Lube Applicator
59	8106259	Lube Bottle (Red)
61	8182167	Lube Bottle Brkt-Red
	8182809	Lube Bottle Brkt-Red (5050)
62	8183502	Bleed Valve manifold Assy.
63	8182052	Inflation Hose w/Air Chuck
64	8410419	Air Chuck
65	85000103	3/4" 45° EL Fitting
66	8107924	3/4" 90° Nylon EL Fitting
67	8182805	Tower Support Cover
68	85611138	R.I.M. Decal

Robo-Arm® Assembly

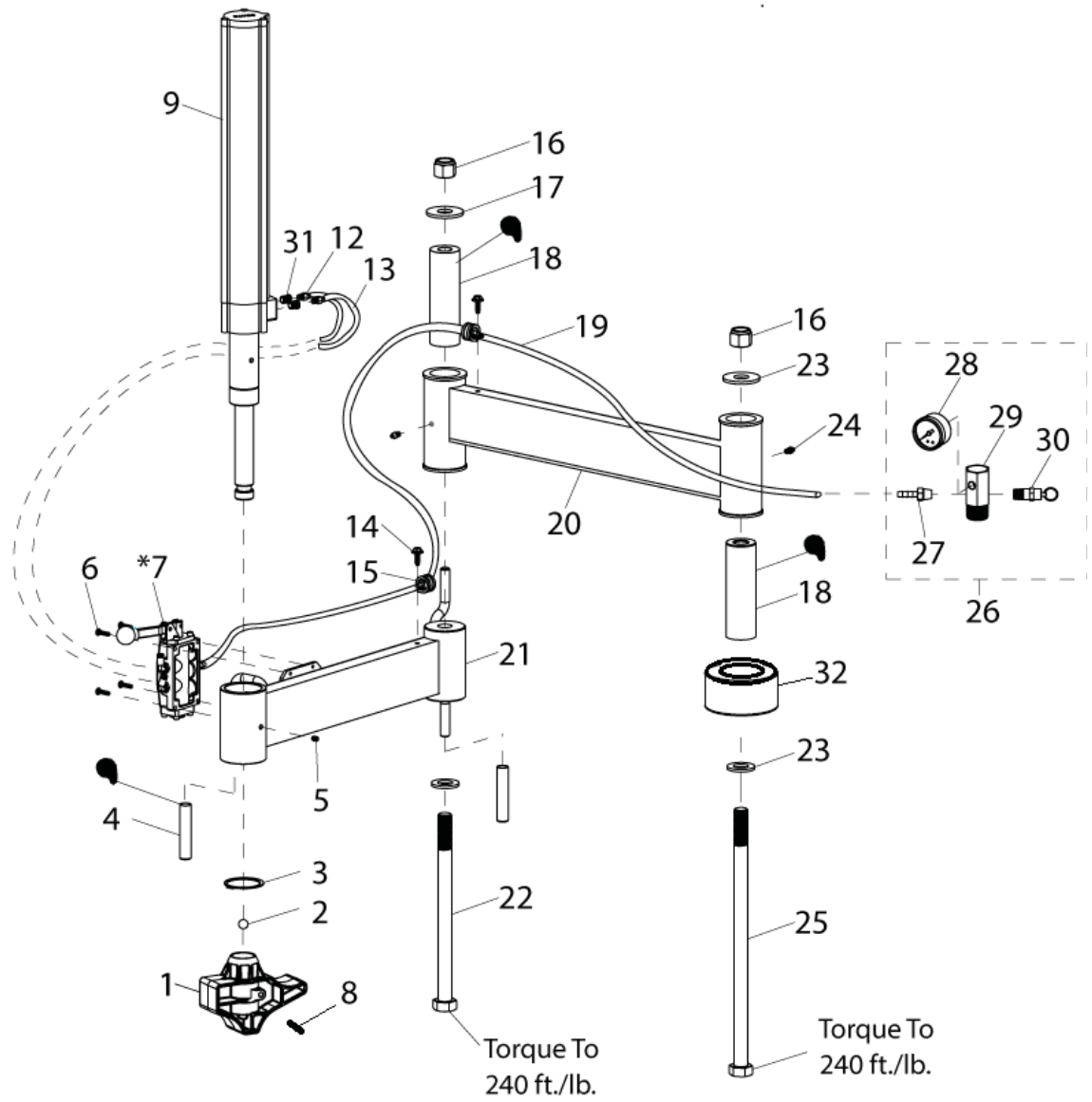
Item	Part No.	Description
1	8500916701	Plastic Foot Hold Down
2	8301017	ø1/2" Steel Ball
3	8183637	ø2 Ext. Retaining Ring
4	70002301	1/2" Rubber Hand Grip
5	85610656	1/4-20 x 5/16 LG BHCS
6	8182001	Screw - 10-24 x 3/4 Lg. SHCS
*7	see p.22	Robo Arm Valve
8	905563	Pin-Roll, 1/4X1-1/2
9	8560888401	Cylinder Assembly 2.5" Dia.
12	8181996	1/4 NPT x 1/8 Tube St. Fitting
13	**	1/8 x 6" Plastic Tube
14	8106301	1/4-20 x 3/4" Soc Hd HWHST Screw
15	8182044	Neoprene Cushion Clamp
16	8182016	3/4"-10 Nylon Insert Lock Nut, Gr.5
17	8100994	3/4" x 2" OD Flat Washer
18	8181038	Swing Arm Pivot Pin
19	**	1/4, 58" Black Rubber Hose
20	81849043	Rear Arm Weldment (Red)
21	8560761803	Front Arm Weldment (Red)
22	8183703	3/4-10 x 10-1/2" HHCS, Gr5
23	8182457	3/4" x 1-1/2" OD SAE Flat Washer
24	8184226	1/4-28 Grease Fitting
25	8183635	3/4-10 x 14-1/2" HHCS, Gr.5
26	8184059	Manifold Assembly
27	8000378	1/4" Brass St. Fitting
28	8108968	Air Gauge
29	8183434	Manifold/Gauge
30	8182599	Safety Valve
31	8109481	1/4 NPT x 1/8 NPT RDCR Fitting
32	8183636	Spacer, .781 ID x 2.75 OD x 1.5

Hose Reels

Item	Part No.	Description
50-ft.	85000375	1/4" ID x 1/2" OD Black Rubber Hose
50-ft.	85000376	1/8" OD x 0.25 Plastic Tube
100-ft.	85609142	3/8" OD x 0.05 Plastic Tube

***Valve (available only as individual components,
see page 22)**

****Hose Reels**

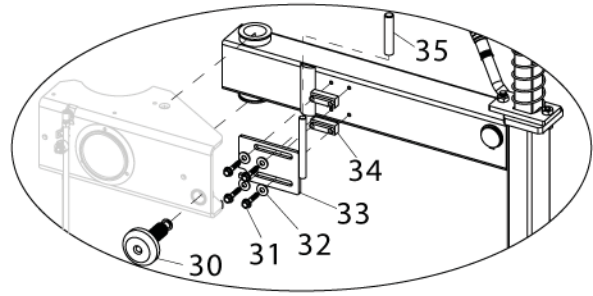
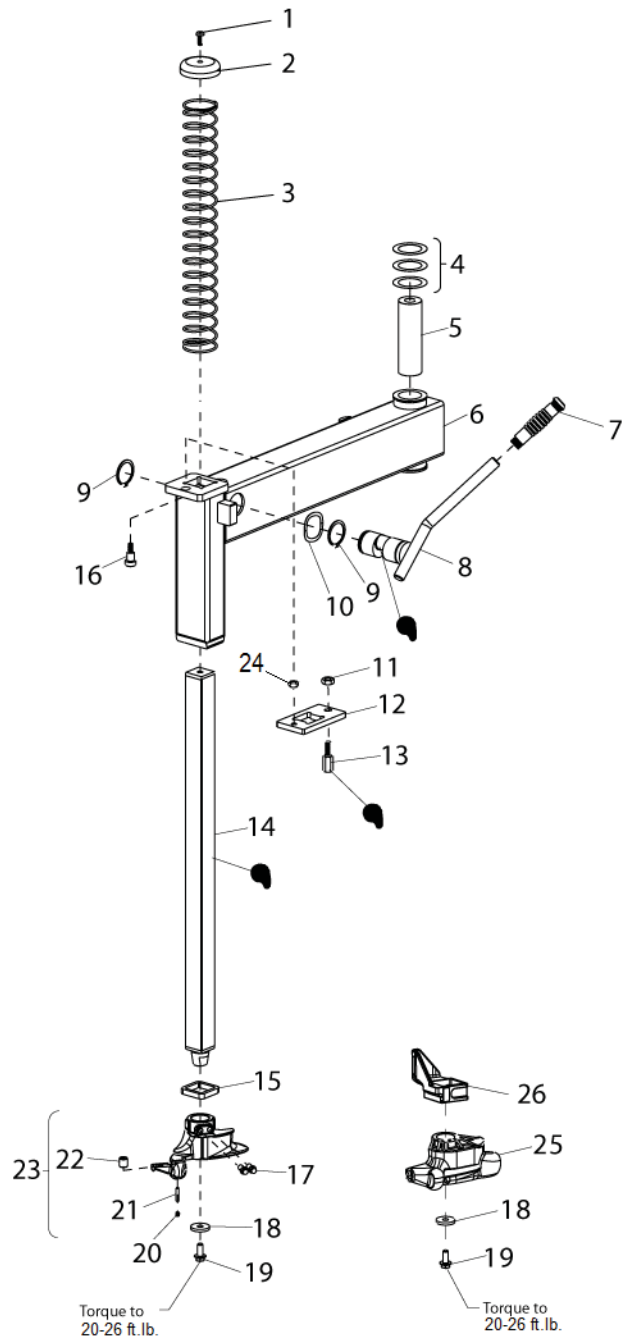


 **APPLY GREASE TO THESE LOCATIONS**

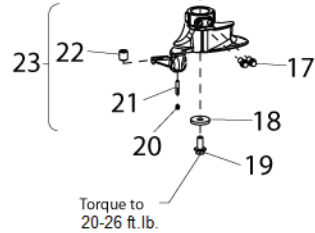
Swing Arm Assembly

Item	Part No.	Description	Item	Part No.	Description
1	8183151	5/16-18 x 0.75 SBHCS, Gr.8	24	85610655	Nut-Hex,Lck,Rvrs,3/8-16
2	8181771	Vertical Slide Knob	25	8183061	Duckhead Mount/Demount Tool Kit (Nylon)
3	8182028	Vertical Slide Spring	26	85607803	Roller Mount
	83031235	Vertical Slide Spring (Leverless)	27	85606462	Bead Roller (Duckhead) Pkg.
4	8182339	Swing Arm Shim Kit	28	8184432	Duckhead Mount/Demount Tool Kit (Grey)
5	8181038	Swing Arm Pivot Pin	29	8183055	3/8-16 x 0.750 SBHCS Screw
6	81828202	Swing Arm, for R.H. Cam Lock	30	85607820	Adjusting Lock Knob
	818282003	Swing Arm, Locking (Leverless)	31	85000317	5/16-18 x 1-1/2 HSWHCS Screw, Zinc
7	8100979	Handle Grip, Black Flex 3/4 I.D.	32	8107635	5/16" Plain Washer
8	8183673	Lock Handle/Lift Cam W/C, R.H.	33	85607814	Lock Assembly
9	8181095	1-5/8 Snap Ring	34	85607816	Lock Block
10	8182371	1-5/8 Dia. Wave Washer	35	70002301	1/2 x 3 Handle Grip
11	8181113	1/2"-13 Jam Nut, Gr. 5	36	85608961	Hybrid Duckhead Tail
12	85606343	Lock Plate	37	85608959	Hybrid Duckhead Mount/Demount Tool Lever Type
13	8181035	Lock Plate Lift Pin	**38	8184600	Manual Bead Depressor
14	8182812	Vertical Slide Shaft			
15	8182031	Rubber Bumper			
16	85606344	1/2 x 5/8 Shoulder Screw			
17	8182813	3/8-16 x 3/4" Ctr Bore Cap Scr, Gr.8			
18	8182027	7 ga. x .406 ID x 1.28 OD Washer			
19	8106302	3/8" Whiz Lock Screw, Gr.5			
20	8140667	1/4-20 x 1/4 Soc.Hd.Set Scr, Gr.8			
21	8182786	5MM x 25MM Dowel Pin			
22	8182787	0.562 Diameter x 0.515 LG. Roller			
23	81827881	Duckhead® Mount/Demount Tool Kit (Metal)			

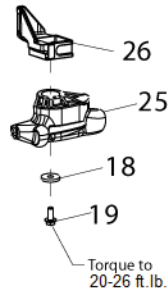
**Accessory Item



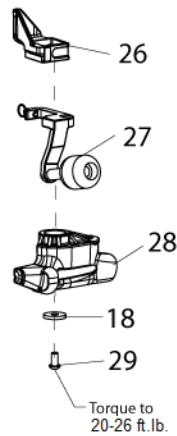
Swing Arm Locking Mechanism
(Leverless Unit)



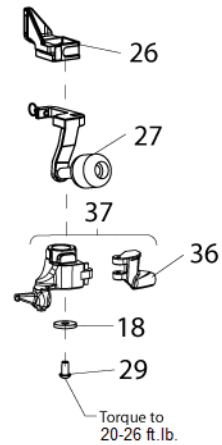
Steel
DuckHead®
Mount/Demount Tool



Nylon
DuckHead
Mount/Demount Tool

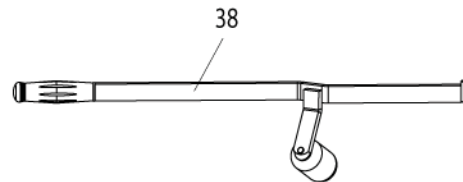


Grey
DuckHead
Mount/Demount Tool



Hybrid
DuckHead
Mount/Demount Tool
Lever Type

● APPLY GREASE TO THESE LOCATIONS

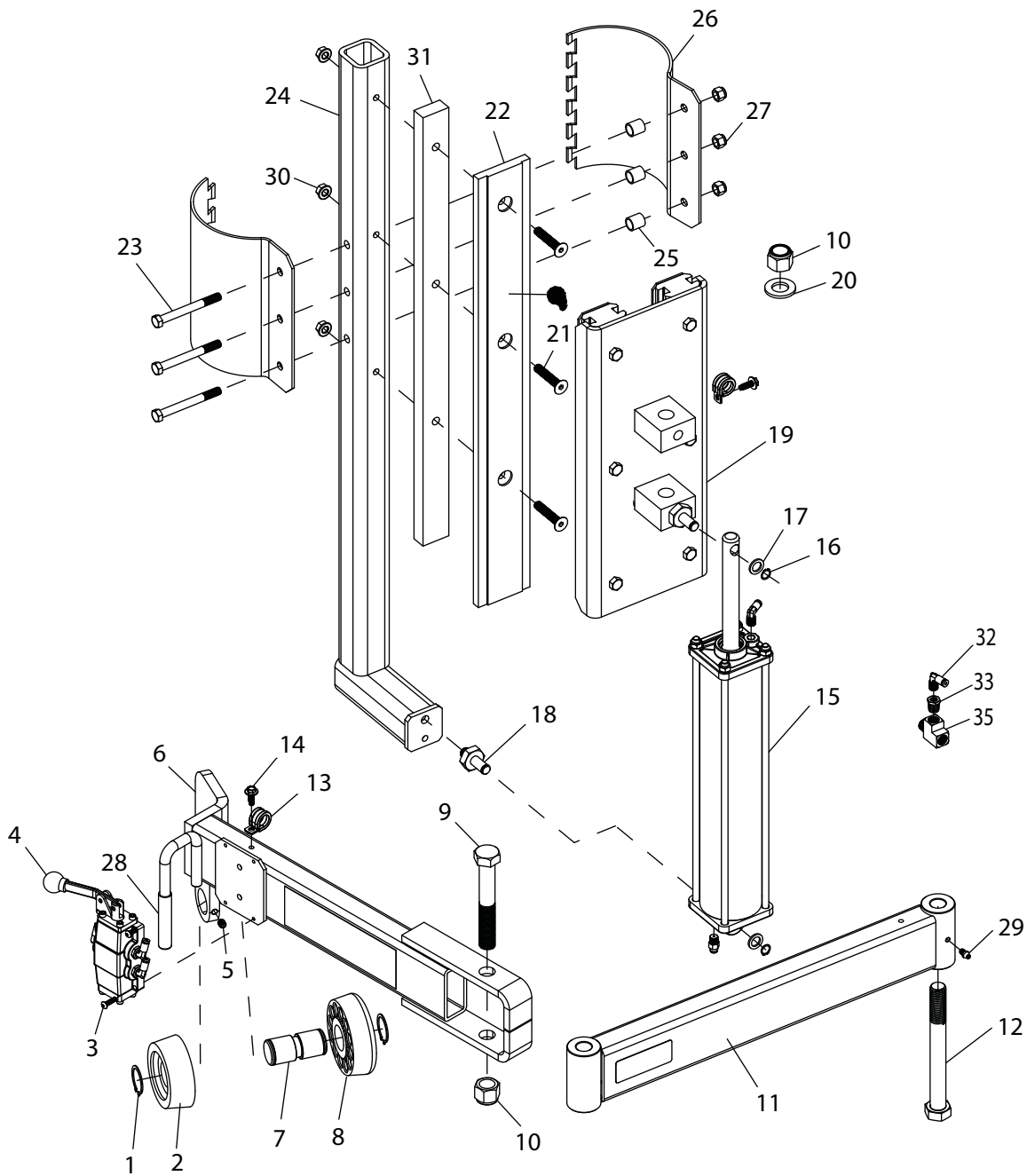


Manual Bead Depressor

Helper Arm Assembly

Item	Part No.	Description
1	8100964	1-1/4-inch Retaining Ring
2	8185593	Auxillary Arm Small Roller
3	8181983	10-24 x 5/8 BHSCS, Gr.8
*4	85609907	Helper Arm Valve Assembly
5	8180217	5/16-18 x 3/8-inch Set Screw
6	85609884	Front Arm Weldment
7	8185594	Auxillary Roller Shaft
8	8185592	Auxillary Arm Large Roller
9	8182579	HHCS Screw
10	8182016	3/4-10/E23 Nylon Hex Nut
11	85609886	Rear Arm Weldment
12	85610016	3/4-10 x 7 HHCS Screw, Gr.5
13	8182044	Neoprene Cushion Clamp
14	8106301	1/4" Hex Hd Self Tap Screw, Gr.5
15	85607010	3-inch Cylinder Assembly
16	85606919	Ext. Retaining Ring
17	8185035	13mm Flat Screw
18	85609897	Cylinder Rod End
19	85610249	Vertical Slide
20	8182457	Washer
21	85610284	SCS Flat HD Screw
22	85610250	Long Guide Gib
23	8143815	3/8-16 x 3-1/2 HHC Screw
24	85609885	Tube Bracket Weldment
25	8181872	Torsion Spring Sleeve
26	85609899	Female Half Clamp
27	8301035	3/8-16 Hex Nyloc Nut
28	7000230	1/2" Rubber Hand Grip
29	8184226	1/4-28 Grease Fitting
30	8106303	3/8" Whiz Lock Nut, Gr.5
31	85610241	Spacer
32	8181997	90° Elbow 1/8 NPT x 1/8" Fitting
33	8109481	1/4 NPT x 1/8 NPT RDCR Fitting
34	871101642	1/4 NPTMX, 1/4F TEE FITTING

***Valve Assemblies (available only as individual components, see page 22)**



Foot Pedal Assemblies

Electric Model Foot Pedal Assembly

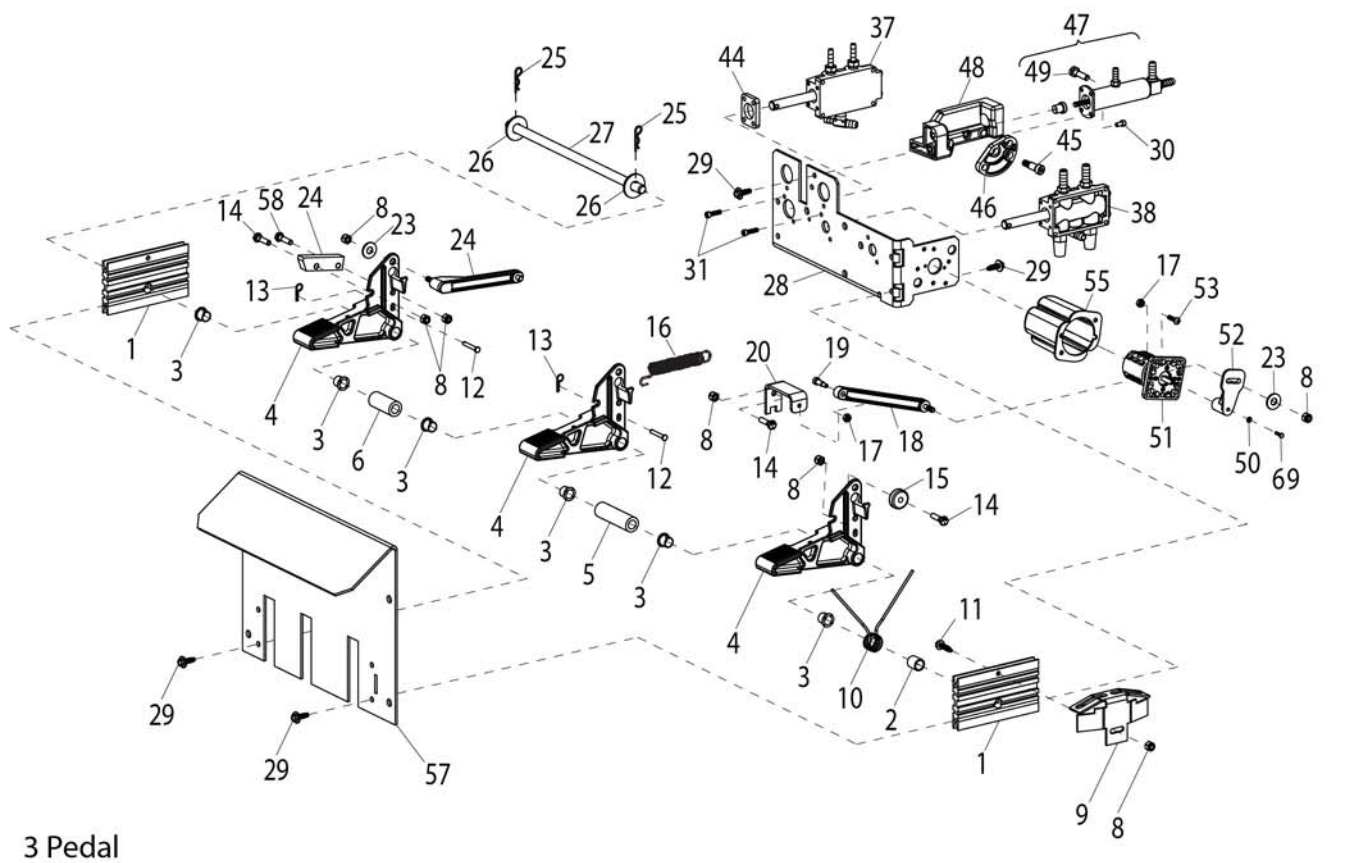
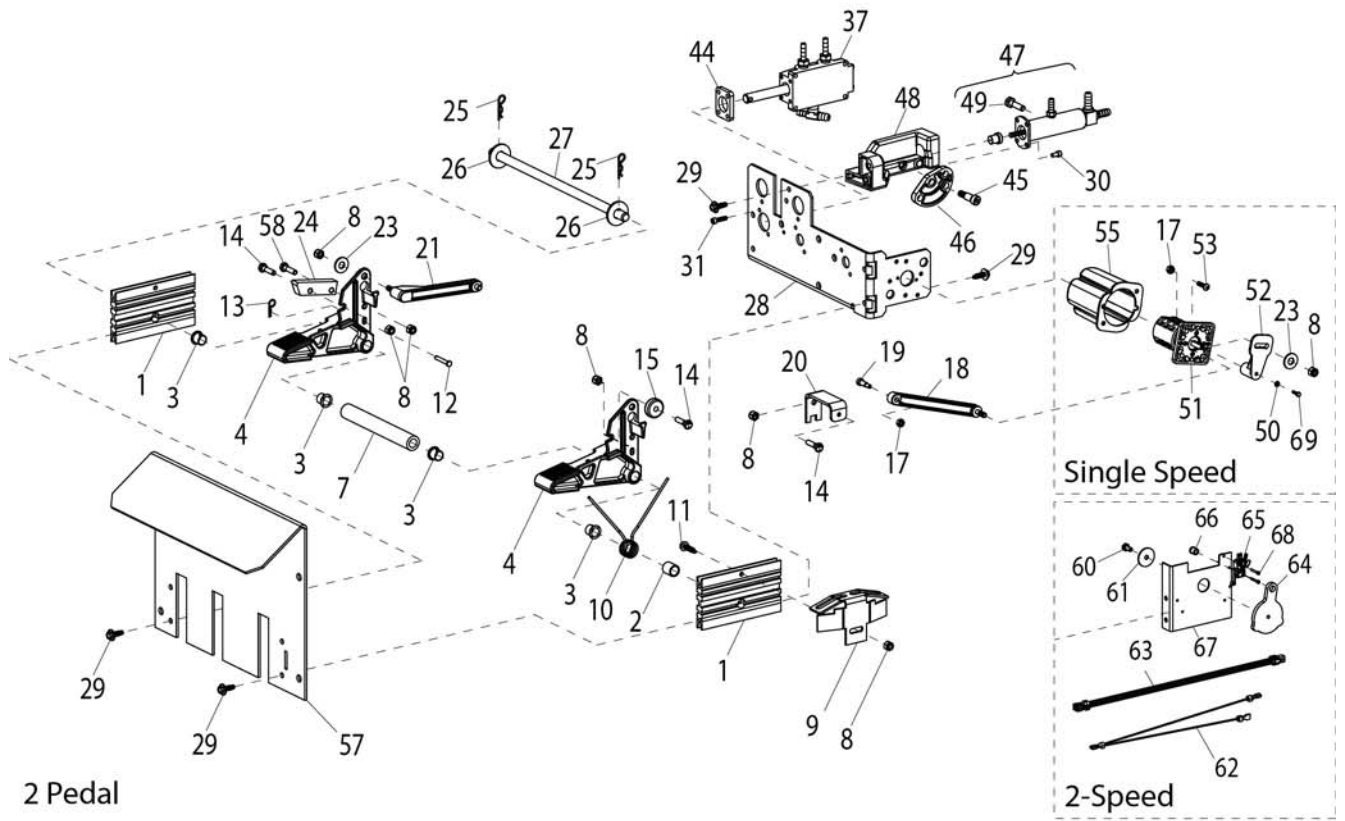
Item	Part No.	Description
1	8181918	Valve Brkt. Spacer Bar
2	8181872	Torsion Spring Sleeve
3	8181948	1/2" Nylinder Bearing
4	8181675	Standard Pedal
5	8182327	Pedal Spacer
6	8181911	Pedal Spacer
7	8182358	Pedal Spacer
8	8181369	1/4-20 Lock Nut, Nyl. Ins. Gr.5
9	8182670	Spring Stop Bracket
10	8181707	Torsion Spring
11	8104945	1/4 x 1 HWHSTC, Gr.5
12	8181977	3/16" x 1-1/2" Clevis Pin
13	8120469	Hair Pin Cotter
14	8181984	1/4-20 x 1" Hx.Hd.Cp.Scr., Gr.5
15	8181923	Stop Washer
16	8181708	Pedal Extension Spring
17	8182682	10-24 Nylon Insert Lock Nut Gr.5
18	8181699	Lever Assembly - Switch
19	8182743	10-24 x 3/8 SHCSS Gr.8
20	8182363	Spacer - Sw Pedal Lever-Red
21	8501003801	Cam Lever Follower
23	8107635	5/16" Flat Washer
24	85608197	Pedal Stop
25	8107419	Hair Pin Cotter
26	8301121	Washer
27	8183398	Pedal Shaft
28	85009985	Valve Mounting Bracket
29	8106301	1/4" Hex Hd Self Tap Screw, Gr.5
30	8181989	10-24 x 3/8 SHCS, Gr.8
31	8182001	10-24 x 3/4 SHCS
37	see p.22	Valve, TT Clamp Pedal
38	see p.22	Valve, TT Rotation Pedal
44	85009982	Spacer-Valve, Clamp, TT
45	8301537	5/16-18 x 1/2 SHSHS Screw
46	85608195	Pivot Link
47	8184675	Oil Injector Assembly
48	85608560	Block-Lower Stop Pedal
49	8103737	Release Valve

Item	Part No.	Description
50	8301072	#6 Internal Tooth Lk Washer
51	8182958	Reversing Switch, Kit
52	8181728	Switch Actuator Lever
53	8181983	10-24 x 5/8 BHSCS, Gr.8
55	8181959	Cover-Switch
57	8182332	Guard-Foot Pedal
58	8106455	Clevis Pin
59	8103737	Release Valve
60	902189	1/4-20 x.504 HHCS
61	8111032	1/4" Heavy Fender Washer
62	85609741	2-Speed, 2-Wire Harness
63	85609742	2-Speed, 4-Wire Harness
64	85609743	Disk Switch
65	85609746	Foot Pedal Switch
66	85000357	#4-40 Nut-Hex, Nylk
67	85609917	2-Speed, Switch Plate
68	95000064	#4-40 x 3/4 Lg. SHC Screw
69	8181982	Screw, -HHCS,M3X12

***Valve (available only as individual component, see page 22)**

**Accessory Item

Foot Pedal Assembly (Elec.)



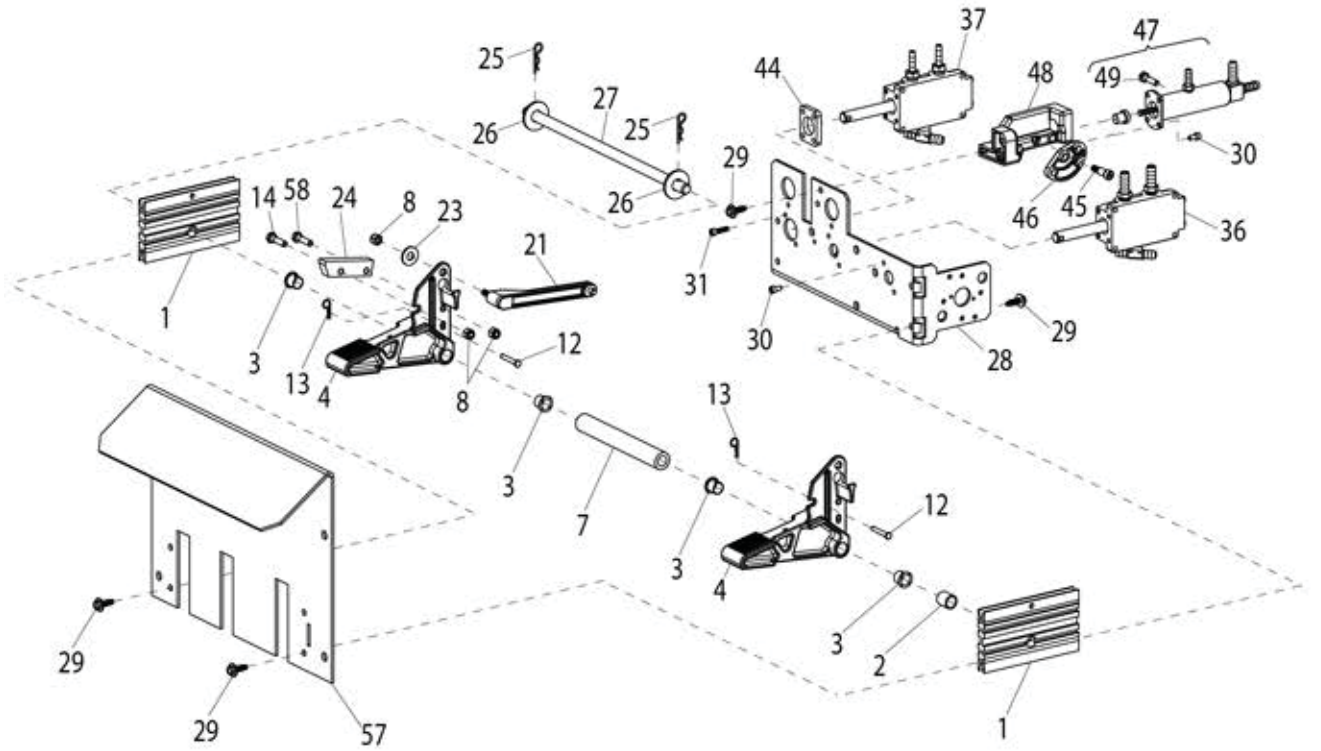
Air Model Foot Pedal Assembly

Item	Part No.	Description
1	8181918	Bar-Valve Brkt. Spacer
2	8181872	Torsion Spring Sleeve
3	8181948	1/2" Nylinder Bearing
4	8181675	Standard Pedal
5	8182327	Pedal Spacer
6	8181911	Pedal Spacer
7	8182358	Pedal Spacer
8	8181369	1/4-20 Lock Nut, Nyl. Ins. Gr.5
12	8181977	3/16" x 1-1/2" Clevis Pin
13	8120469	Hair Pin Cotter
14	8181984	1/4-20 x 1" Hx.Hd.Cp.Scr., Gr.5
16	8181708	Pedal Extension Spring
21	8501003801	Cam Lever Follower
23	8107635	5/16" Flat Washer
24	85608197	Stop-Pedal
25	8107419	Hair Pin Cotter
26	8301121	Washer
27	8183398	Pedal Shaft
28	85009985	Valve Mounting Bracket
29	8106301	1/4" Hex Hd Self Tap Screw, Gr.5
30	8181989	10-24 x 3/8 SHCS, Gr.8
31	8182001	10-24 x 3/4 SHCS
*36	see p.22	Valve, TT Rotation Pedal
*37	see p.22	Valve, TT Clamp Pedal
*38	see p.22	Valve, Bead Loosener Pedal
*40	see p.22	Valve, TT Clamp Pedal
44	85009982	Spacer-Valve, Clamp, TT
45	83015371	5/16-18 x 1/2 SHSHS Screw
46	85608195	Pivot Link
47	81846751	Oil Injector Assembly
48	85608560	Block-Lower Stop Pedal
49	8103737	Release Valve
57	8182332	Foot Pedal Guard
58	8106455	Clevis Pin

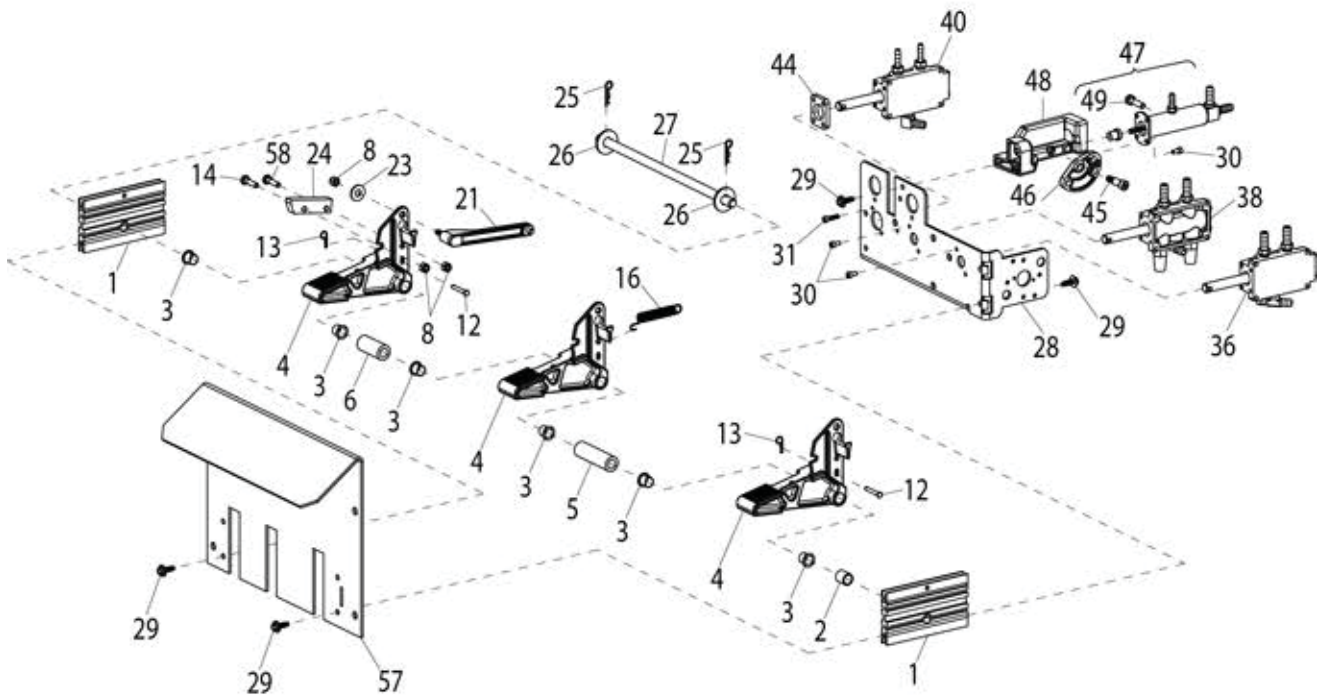
***Valve (available only as individual component,
see page 22)**

**Accessory Item

Foot Pedal Assembly (Air)



2 Pedal



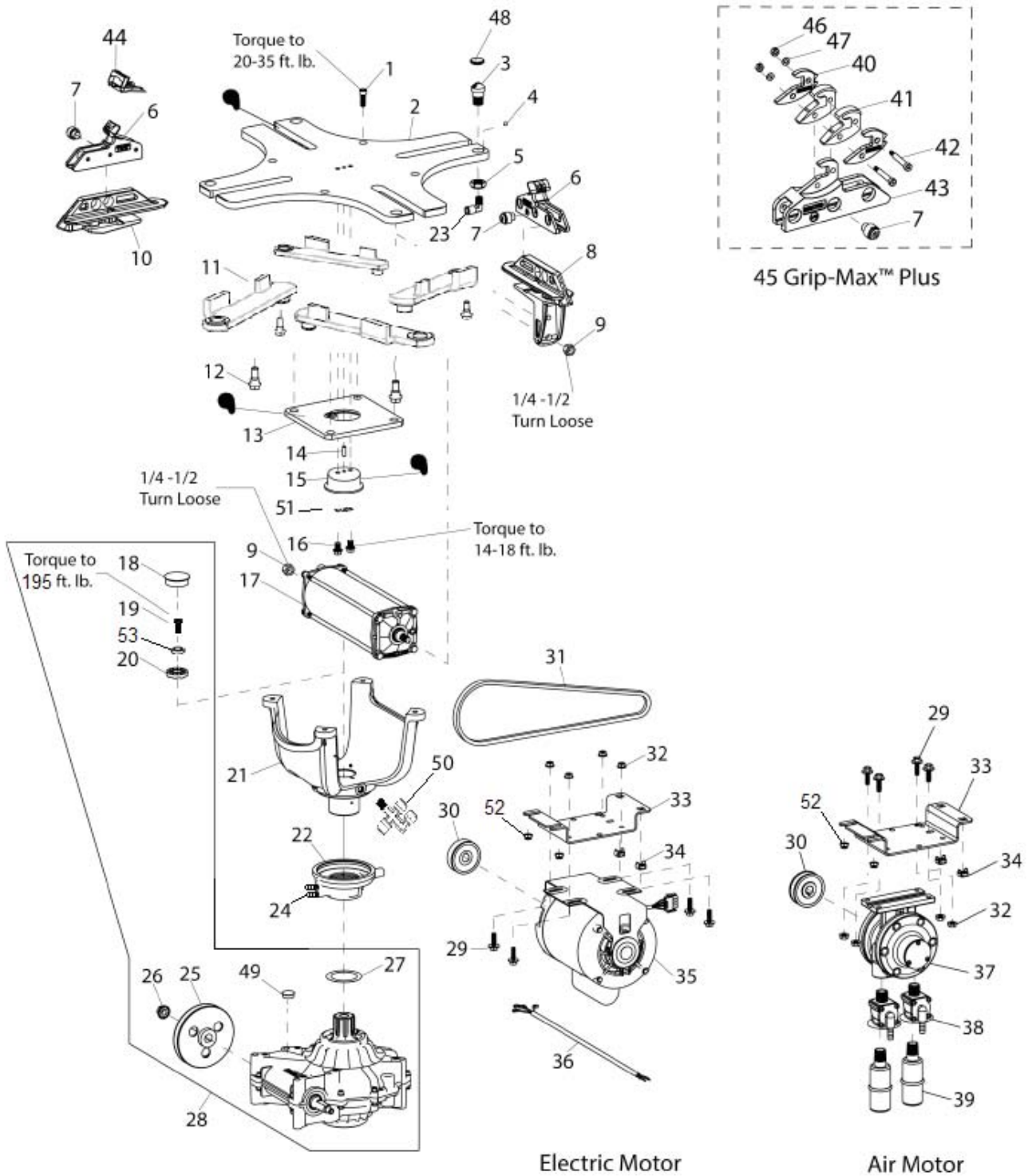
3 Pedal

Table Top and Shaft Housing Assembly

Item	Part No.	Description	Item	Part No.	Description
1	8181929	3/8-16 x 1", Gr.8 Skt. Hd. Cap Scr.	31	8180047	Motor V-Belt, 4L380
2	8181704	Table Top Plate		85608496	Motor V-Belt, 4L390
3	8182024	Inflation Nozzle	32	8182178	5/16-18, Hex. Whiz Lock Nut
4	8182025	1/4" Steel Ball	33	85609921	Motor Mounting Bracket
5	8182083	3/4" Jam Nut	34	8143044	Tinnerman Sq. Captive Nut 3/8-16
6	8184126EX	Adjustable Rim Clamp	35	8184691	Motor, Electric 115V
7	81822501	Adj. Clamp Plunger/Spring Assy.		81827321	Motor, Electric 220V, 50Hz, 1ø
8	8182248	Carrier/Cover - Cylinder End		85609751	Motor, Electric 115V, 60Hz, 2-speed (90x only)
9	8101039	1/2" Lock Nut, Gr.5		85610405	Motor, Electric 220V, 50/60Hz, 2-speed (90x only)
10	8182249	Carrier/Cover - Clamp Adj.			
11	85610388	Pivot Link W/C	36	8184562	Motor Cable Assy, 4-wire w/plug, 115V
12	8182279	Adj. Clamp Link Bolt		8181511	Motor Cable Assembly, 4-wire, 220V
13	8181731	Table Top Pivot Plate		85000632	Motor Cable Assembly, 5-wire, 220V
14	8183476	ø1/4" x 3/4" Roll Pin		85610389	Motor Cable Assembly, 2-speed, 115V
15	8181733	Pivot Block		85610438	Motor Cable Assembly, 2-speed, 220V
16	85610716	5/16-18 x 5/8" Flange Whiz-lock Scr.	37	8181190	Air Motor, Gast. 6AM
†17	8182613	Table Top Cylinder Assembly	38	85606398	Exhaust Valve
18	8182627	1-5/8" Dia. Cap Plug	39	8181206	1/2" NPT Muffler
19	85611050	Screw-SHCS,M16x40,GR12.9	40	85607160	3-position Laminated Clamp Cover Plus w/Points for Blk
20	8182979	ø16mm Molded Washer		85607429	3-position Laminated Clamp Cover Plus w/o Points for Blk
21	8181990	Spider Assembly		85000768	3-position Laminated Clamp Cover Plus w/Points for Wht
22	8182619	Rotary Coupling Assembly		85600314	3-position Laminated Clamp Cover Plus w/o Points for Wht
23	81819981	Fitting-Ell,Pkg	41	8560716108	Laminated Clamp Plus Grip Blk (8 pk)
24	8104844	Fitting-1/8 NPTM X 1/4 Hose		8560716140	Laminated Clamp Plus Grip Blk (40 pk)
25	85606734	Transmission Pulley (3-hole)		8500059408	Grip-Clmp, Lmntd, Wht , 8/PKG
	85607708	Transmission Pulley (4-hole)		8500059440	Grip-Clmp, Lmntd, Wht , 40/PKG
	8181658	Transmission Pulley (6-hole)	42	850006102	1/4 x 1-1/4 x #10-24 Shoulder Screw
26	8140567	1/2-13, Hex. Whiz-lock Nut	43	85607159	3-position Laminated Clamp Plus
27	8183156	ø2" X ø2 3/4" x .010 Washer	**44	8183604	Bootie Kit, Rim Clamp, Pkg of 10
28	85608497	Transmission Kit	**45	85607787	Grip Max Plus™, Laminated Clamps, Pkg. of 4
29	940084	5/16-18 x 1 1/4 Ser. Wash.Hd.Scr.		85607786	Grip Max Plus™, Laminated Clamps (External Clamp Only), Pkg. of 4
30	8184674	Motor Pulley (All except 90X)	46	81826822	#10-24 Rvsble Hex Lk Nut
	85609750	Motor Pulley (90X 2 speed motor ONLY)	47	8301805	#10 Washer
			48	85609097	Hole Plug (Table w/o Inflation Jets)
			49	85610108	Transmission Hole Plug
			50	8560026401	Manifold-1/4NPT 3X3/8TBE
			51	85610717	Retainer Bracket
			52	8106303	Nut-Hex,3/8-16,LK,Whz,Znc
			53	85611049	Washer-5/8 M16 Lckng Pr

†Cylinder Assemblies

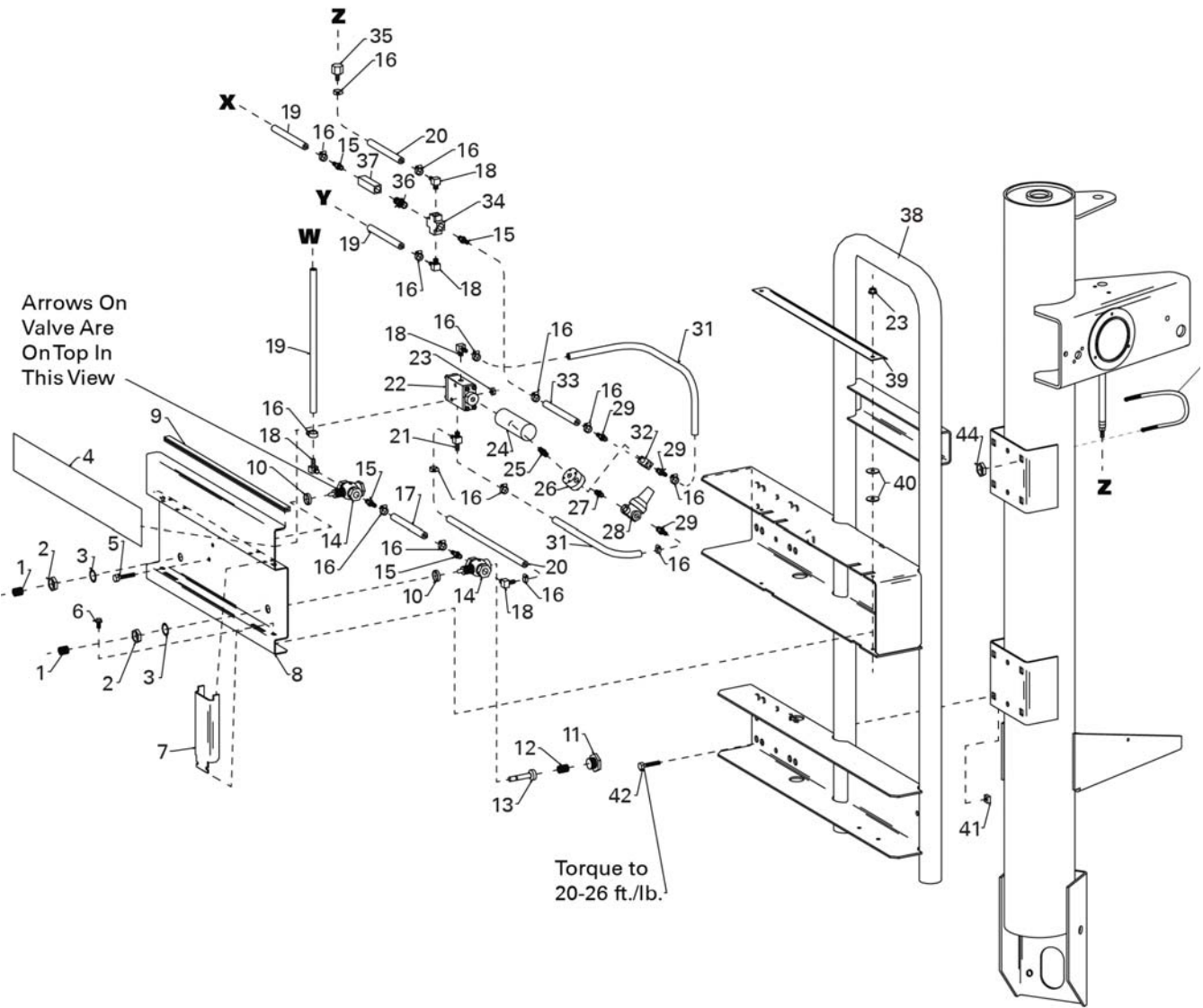
**Accessory Item



 APPLY GREASE TO THESE LOCATIONS

Inflation Guard Assembly - 6065, 7665

Item	Part No.	Description	Item	Part No.	Description
1	8182318	Handle Spring-B.L. (7665)	31	8102048	ø1/4" x 15" Hose
2	8104611	5/8" N.F. Jam Nut Gr.5	32	8110328	1/8" NPT Tee
3	8104613	5/8" Ext. Tooth Lock Washer	33	8181213	ø1/4" x 3" Hose
4	8182981	Warning Decal	34	8182367	1/4 NPT Brass Cross Fit.
5	8120408	1/4-20 x 1-3/4 H.H. Cap Scr., Gr.5	35	8108605	Female Coupling Assembly
6	8106301	1/4" Hex Hd Self Tap Screw, Gr.5	36	8000580	1/4 NPT Close Nipple
7	8182862	Valve Actuator	37	8104969	Check Valve
8	8182842	Front Cover	38	8183120	Inflation Guard Pkg
9	8183067	19" Trim Strip	39	8183237	Safety Cage Handles Cover
10	8104673	Bushing, 1/4" Valve	40	920531	ø1" x 0.281 x 0.063 Washer
11	8105671	End Cap, 1/4" Valve	41	8301035	3/8-16 Nylok Nut
12	8102468	Poppet Spring, 1/4" Valve	42	8106302	3/8" Whiz Lock Screw, Gr.5
13	8104649	Poppet, 1/4" Valve	43	8182846	1/2-13 x 5 U-Bolt
14	8104600	1/4" Valve Comp.	44	8301122	0.500-13 NYLK Hex Nut
15	8000378	1/4" Brass St. Fitting			
16	85606362	Hose Clamp-13mm Spring			
17	8103649	ø1/4 x 12" Hose			
18	8000376	ELL 90° 1/4 Hose Fitting			
19	8182090	3/4" x 61" Lg. Hose			
20	8106289	ø1/4" x 22" Hose			
21	8110325	1/4" NPT Male Run Tee			
22	8109466	Piloted Valve			
23	8143169	1/4-20 Whiz Lock Nut, Gr.5			
24	8110496	Volumn Chamber			
25	8109471	1/8" Brass Hex Nipple			
26	8109468	Pressure Repeater			
27	8109472	1/8" Inline Filter			
28	8111083	Regulator			
29	8104844	1/8 NPT x 1/4 Hose St Fitting			



* Not Standard On All Models

Apply Grease To These Locations

Valve Assemblies

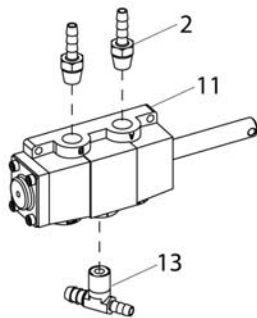


Table Top Clamp Pedal Valve Assembly

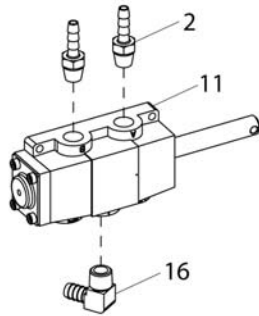
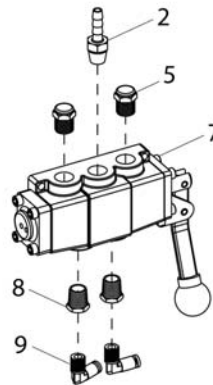
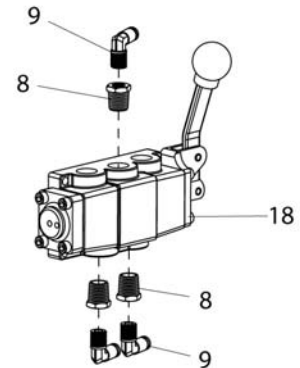


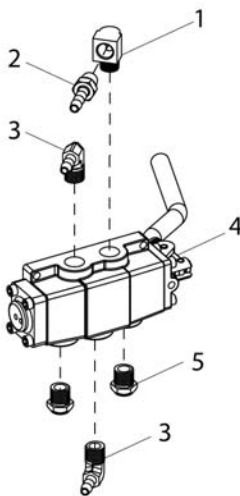
Table Top Clamp Pedal Valve Assembly



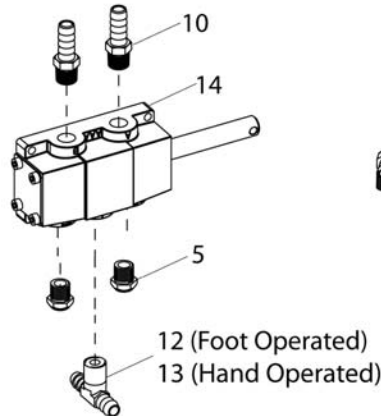
Robo Arm Valve Assembly



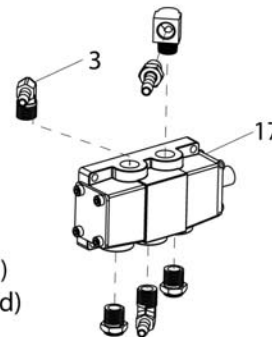
Helper Arm Valve Assembly



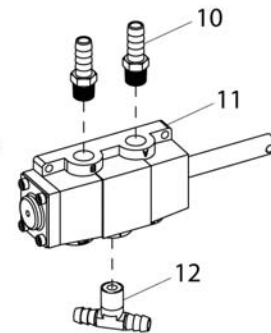
Bead Loosener Arm Valve Assy (old style)



Bead Loosener Arm Valve Assembly



Bead Loosener Arm Valve Assembly



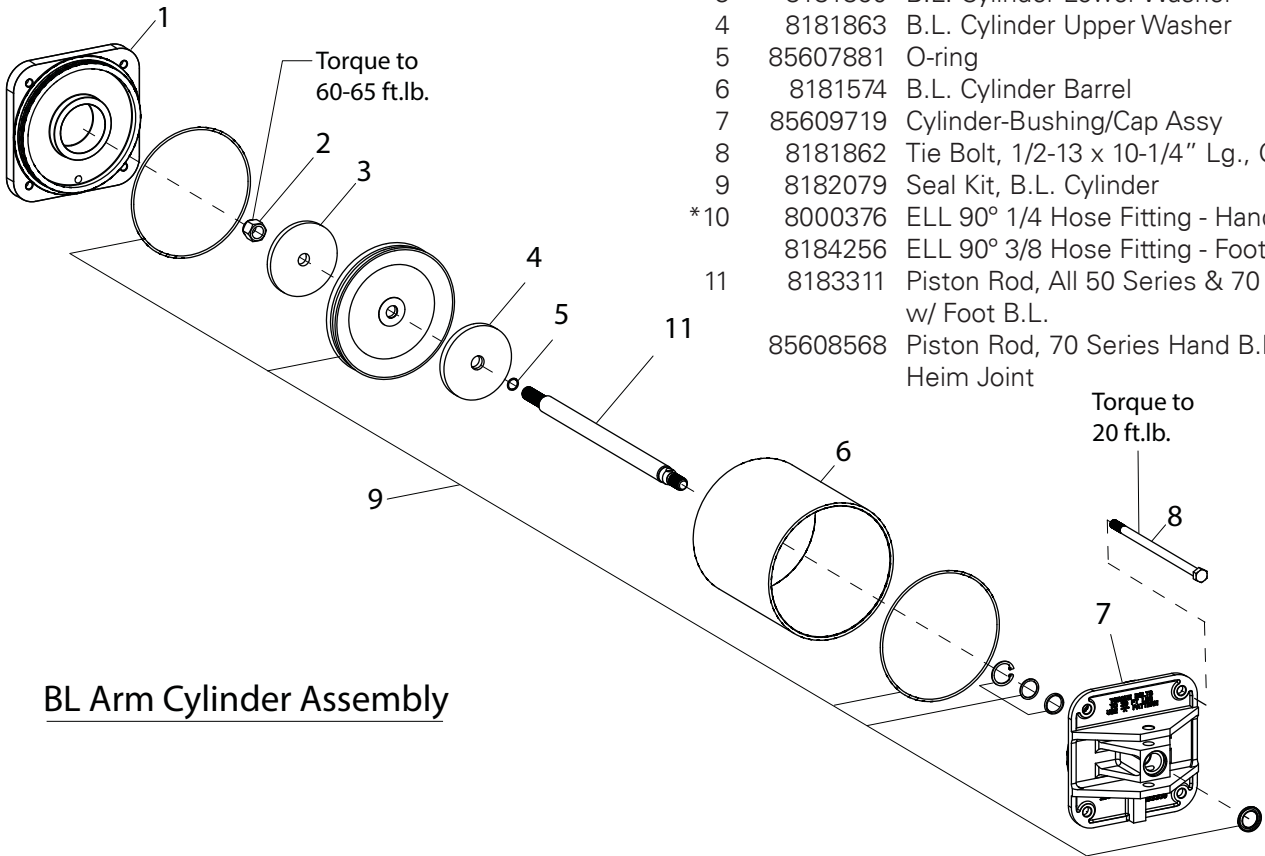
Air Motor Pedal Valve Assembly

Item	Part No.	Description
1	8000372	1/4 NPT, 90° St. ELL Fitting
2	8000378	1/4" Brass St. Fitting
3	8000376	ELL 90° 1/4 Hose Fitting
4	8185581	3 Position w/Handle Valve
5	85607855	1/4 NPT Muffler, Small
7	8185585	3 Position Valve
8	8109481	1/4 NPT x 1/8 NPT RDCR Fitting
9	8181997	90° Elbow 1/8 NPT x 1/8" Fitting
10	8101898	St. 1/4" NPT 3/8" Hose Fitting
11	8184369	4-Way w/Pull Pin Valve
12	8184467	1/4" NPT x 3/8 BRB x 3/8B Tee Fitting

Item	Part No.	Description
13	8184469	1/4" NPT x 3/8 BRB x 1/4B Tee Fitting
14	8181986	4-Way w/Pull Pin Valve
16	8184256	1/4 NPT, 1/4 HSE ELL Fitting
17	8184878	4-way Valve, Pedal Operated
18	85609908	3 Position Valve

Cylinder Assemblies

Item	Part No.	Description
1	8183310	B.L. Cylinder Bottom Cap
2	8182016	3/4"-10 Nylon Insert Nut, Gr.5
3	8181860	B.L. Cylinder Lower Washer
4	8181863	B.L. Cylinder Upper Washer
5	85607881	O-ring
6	8181574	B.L. Cylinder Barrel
7	85609719	Cylinder-Bushing/Cap Assy
8	8181862	Tie Bolt, 1/2-13 x 10-1/4" Lg., Gr.5
9	8182079	Seal Kit, B.L. Cylinder
*10	8000376	ELL 90° 1/4 Hose Fitting - Hand B/L
	8184256	ELL 90° 3/8 Hose Fitting - Foot B/L
11	8183311	Piston Rod, All 50 Series & 70 Series w/ Foot B.L.
	85608568	Piston Rod, 70 Series Hand B.L. w/ Heim Joint



BL Arm Cylinder Assembly

Item	Part No.	Description
1	8181183	5/16-18 Nylon Insert Lock Nut Gr.5
2	8181622	Cylinder Bottom Cap
3	8182719	1/2-13 Locking Jam Nut, Gr.5
4	8183772	O-ring
5	8181629	Shaft, Tabletop Cyl.
6	8181627	Sleeve, Cylinder
7	8181620	Cylinder Top Cap
8	8181633	Tie Bolt, Tabletop Cylinder
9	8183811	Table Top Cylinder Seal Kit

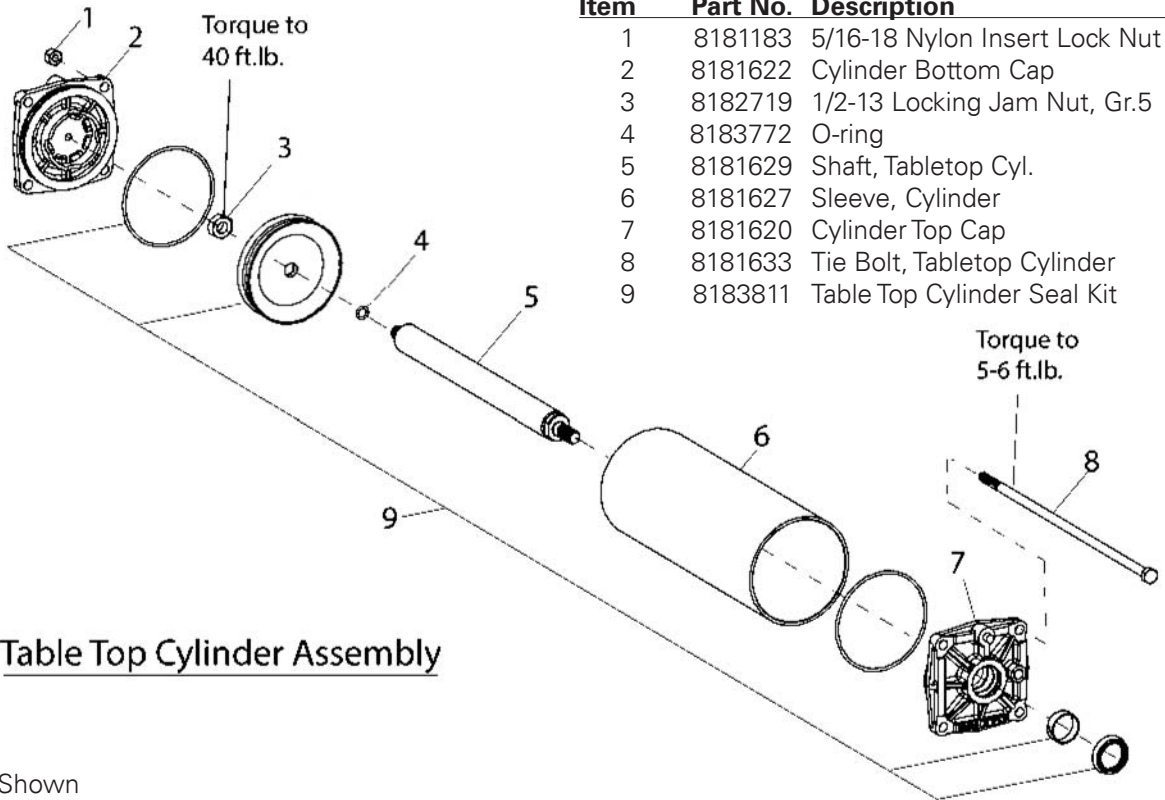
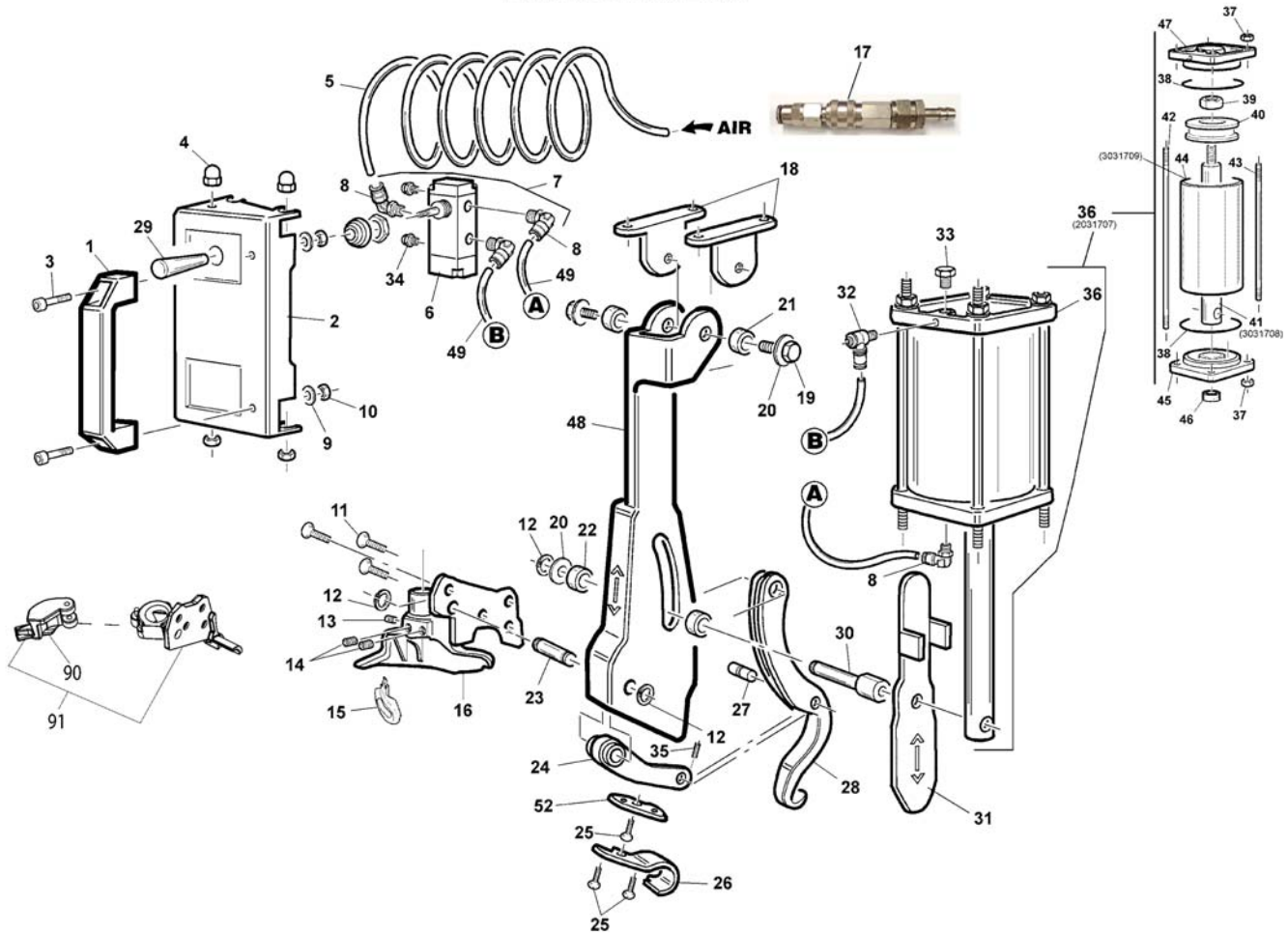


Table Top Cylinder Assembly

*Not Shown

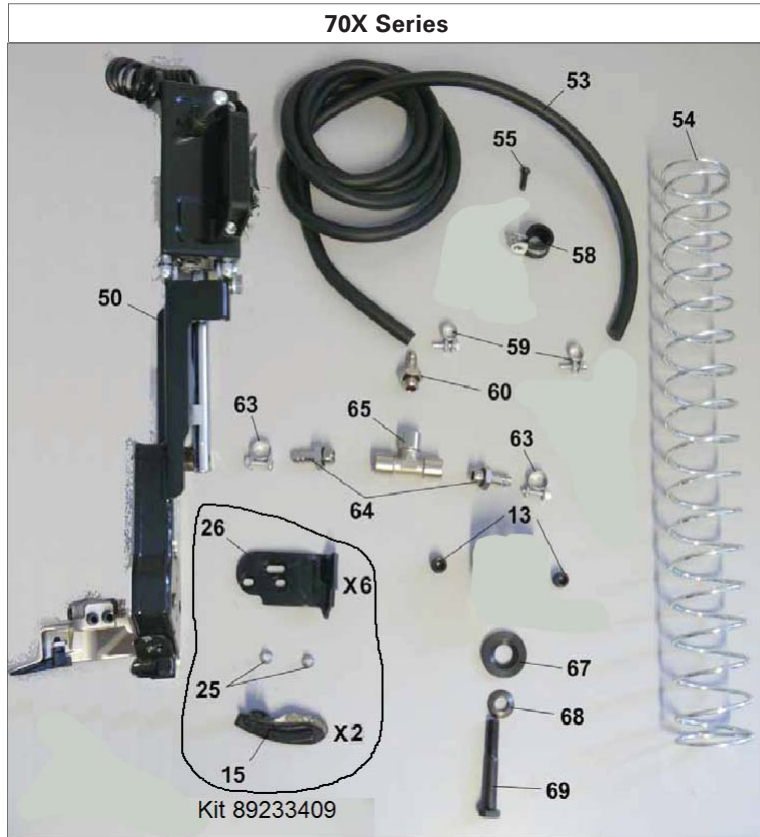
Leverless Bead Lifter

Leverless Bead Lifter



Item No	Part No.	Description
1	84297851	Handle
2	87019215	Valve Box
3	84399954	8 x 20 Screw
4	84395374	M8 Nut
5	83030571	6 x 4 Spiral Hose, L=1500
6	84198285	5-way Valve
7	82006996	Valve
8	84198618	1/8" Union
9	84399829	8 (8, 4 x 16 x 1,5) Washer
10	84399900	M8 Self-locking Nut
11	84393957	0 x 12 Screw
12	84399864	D.12 Seeger Ring
13	84395530	12 x 2 Screw
14	84393346	Screw
15	83019305NE	Back Slide
16	83033830	Touchless Mounting Tool
17	82034990	Connector, Quick
18	83019202	Connection Plate
19	84399434	12 x 20 Screw
20	84398637	ID 12 x 21 x 2, 5 Washer
21	83017334	12/18/8, 2 Bush

Item No	Part No.	Description
22	83017302	12/18/6, 5 Ferrule
23	83019210	Pin - 54mm long
24	83019214	Connection Rod
25	84393753	5 x 8 Screw
26	83033278NE	Front Slide
27	83019212	Tool Pin - 26mm long
28	83019213	Touchless Tool
29	83010284	D.14 x 45 M5 Control Handle
30	83019211	Cylinder Pin
31	83019561	Support Plate
32	84194004	MR 41 6 M6 Union
33	84199161	1/8" Plug
34	84199610	1/8" Silencer
35	84399957	6 x 8 Screw
36	82031707	Cylinder Unit
37	84399976	Nut M8
38	84298822	O-ring D.68, 26 x 3, 53
39	84399865	Self-locking Nut M12
40	84198856	D.75 Piston
41	83031708	Cylinder Shaft



Item No	Part No.	Description
---------	----------	-------------

42	83019208	8 x 1, 25 x 180 Special Screw
43	83019204	M8 X 1, 25 x 164 Special Screw
44	83031709	Cylinder Liner L=125
45	83015024	Flange
46	83199601	Scraper
47	83019467	D.75 SO Side Hole M6 Back Flange
48	87019199	Tool Holder
49	83019959	6 x 6 Hose L=240
51	84396878	12 x 25 x 0, 5 Steel Shim
52	83031595	Threaded Tab
53	8099053	1/4" Hose L=7.5 Ft
54	83031235	Spring
55	8106301	1/4-20 Screw
58	8182044	Hose Clamp
59	85606362	1/4" Clamp
60	8000378	1/4" Barb
63	85606363	3/8" Clamp

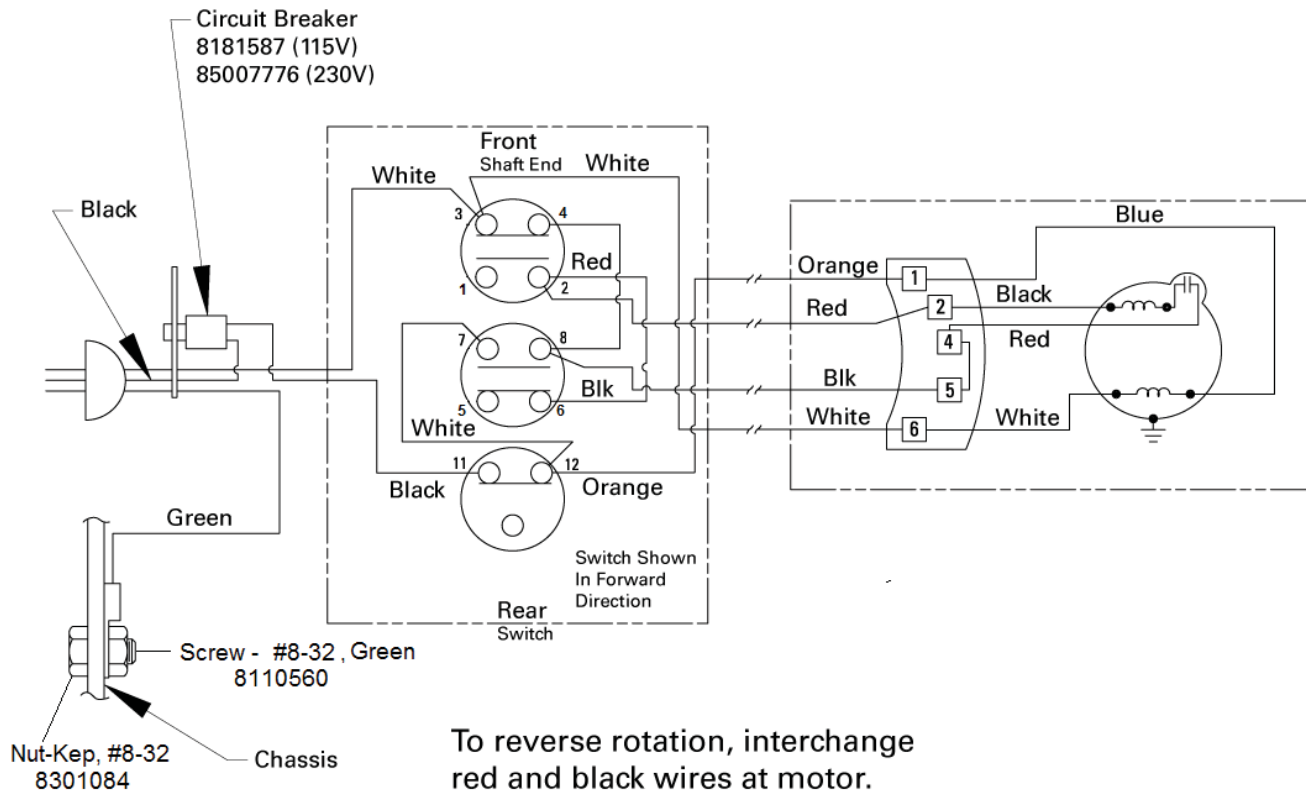
Item No	Part No.	Description
---------	----------	-------------

64	8101898	3/8" Barb
65	8000643	Tee
67	84395804	2 x 35 x 5, G Type 14, Washer
68	84395805	2 x 21 x 4, C Type 10, Washer
69	8107715	3/8-16 UNC Screw, L=1.25"
*85	84199461	Adapter
*86	84194089	1/8" Union
*87	84194088	Quick Union
*88	84198993	1/8" Quick Union
*89	84199026	Union
90	85608961	Hybrid Duckhead® Tail
91	85608960	Hybrid Duckhead, Mount/Demount Tool, Leverless

*Not Shown

Electrical Schematics

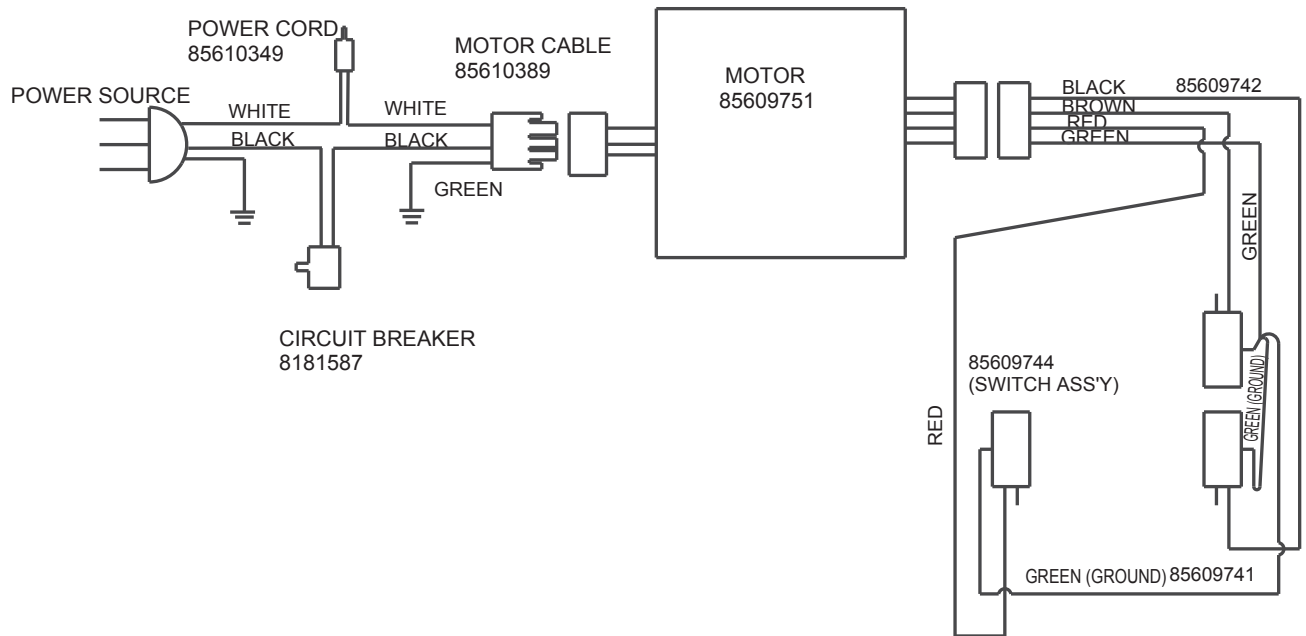
Domestic and C.S.A. (Single-Speed Motors)



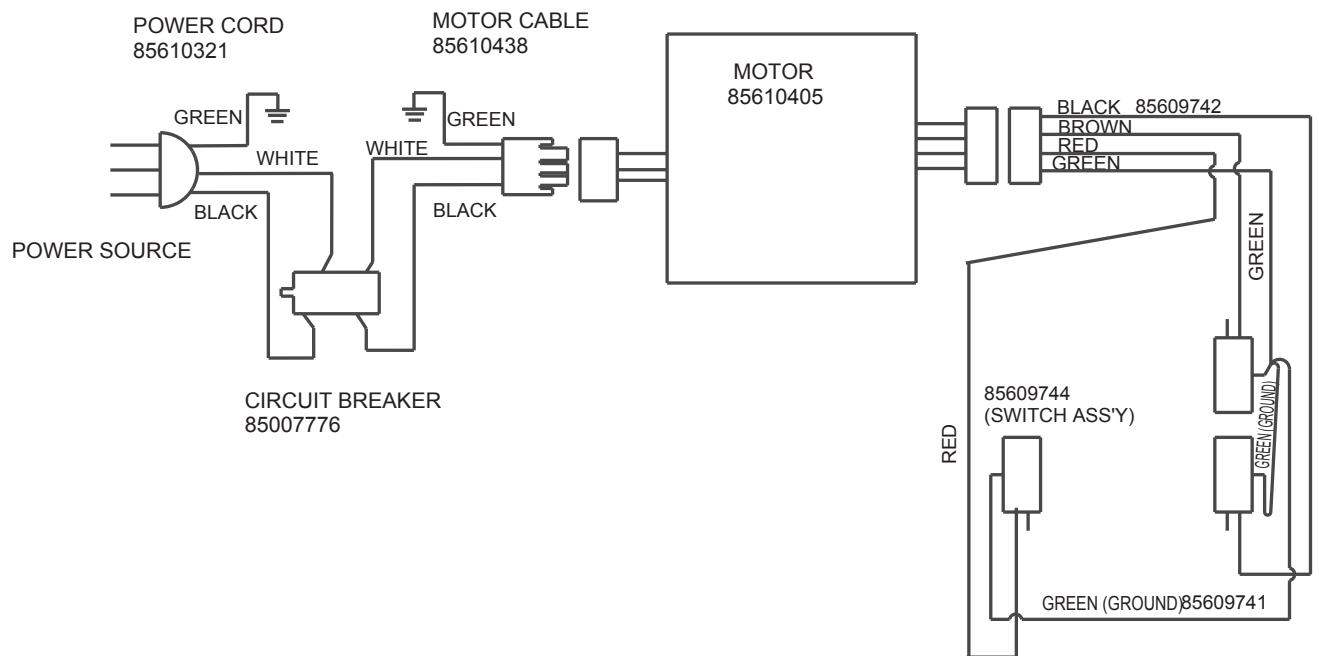
Power Cords

Part No.	Description
85610349	115V
85610321	220V, 50 Hz
85606402	China Only
85609034	Australia Only

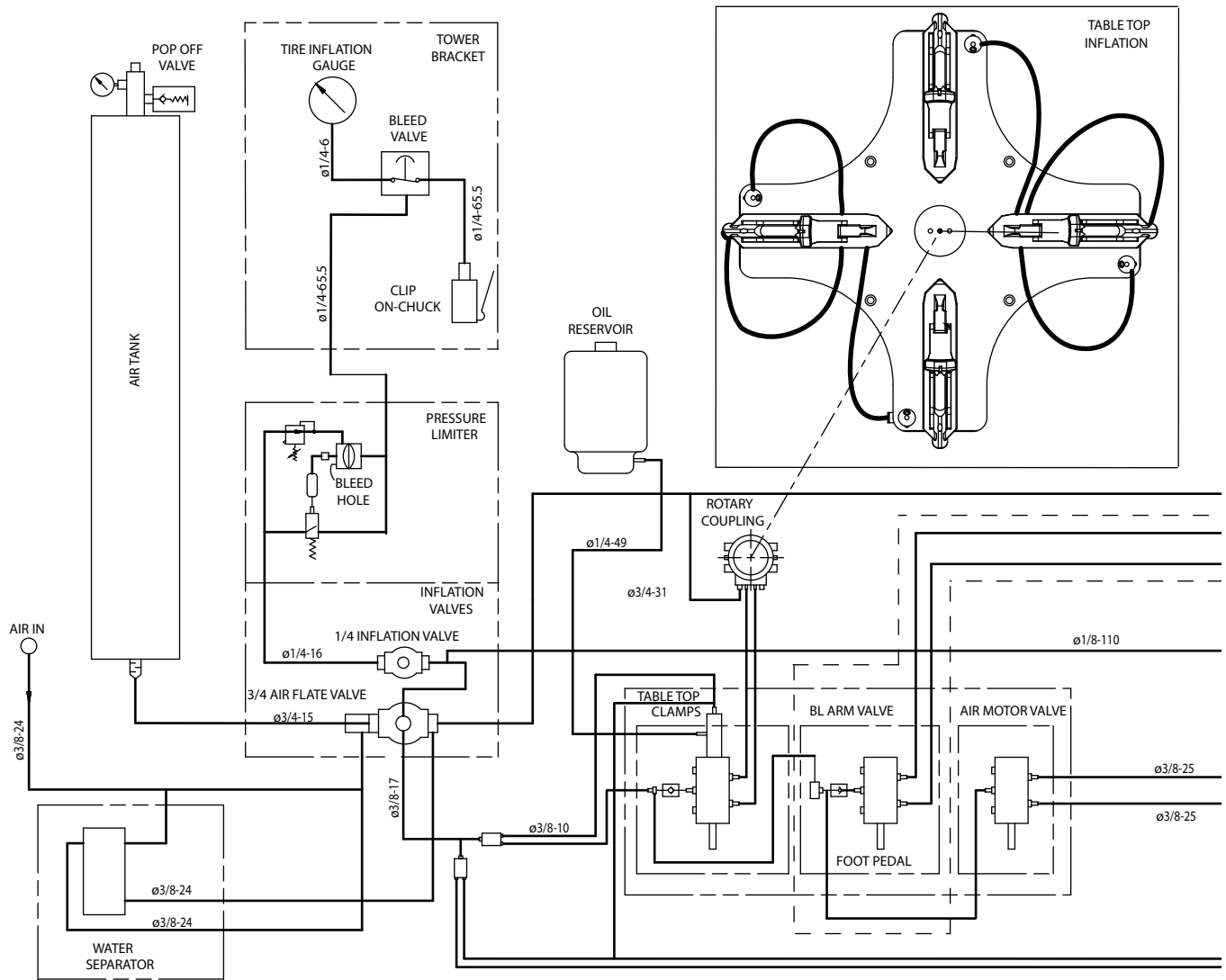
115V Motor, 2-speed

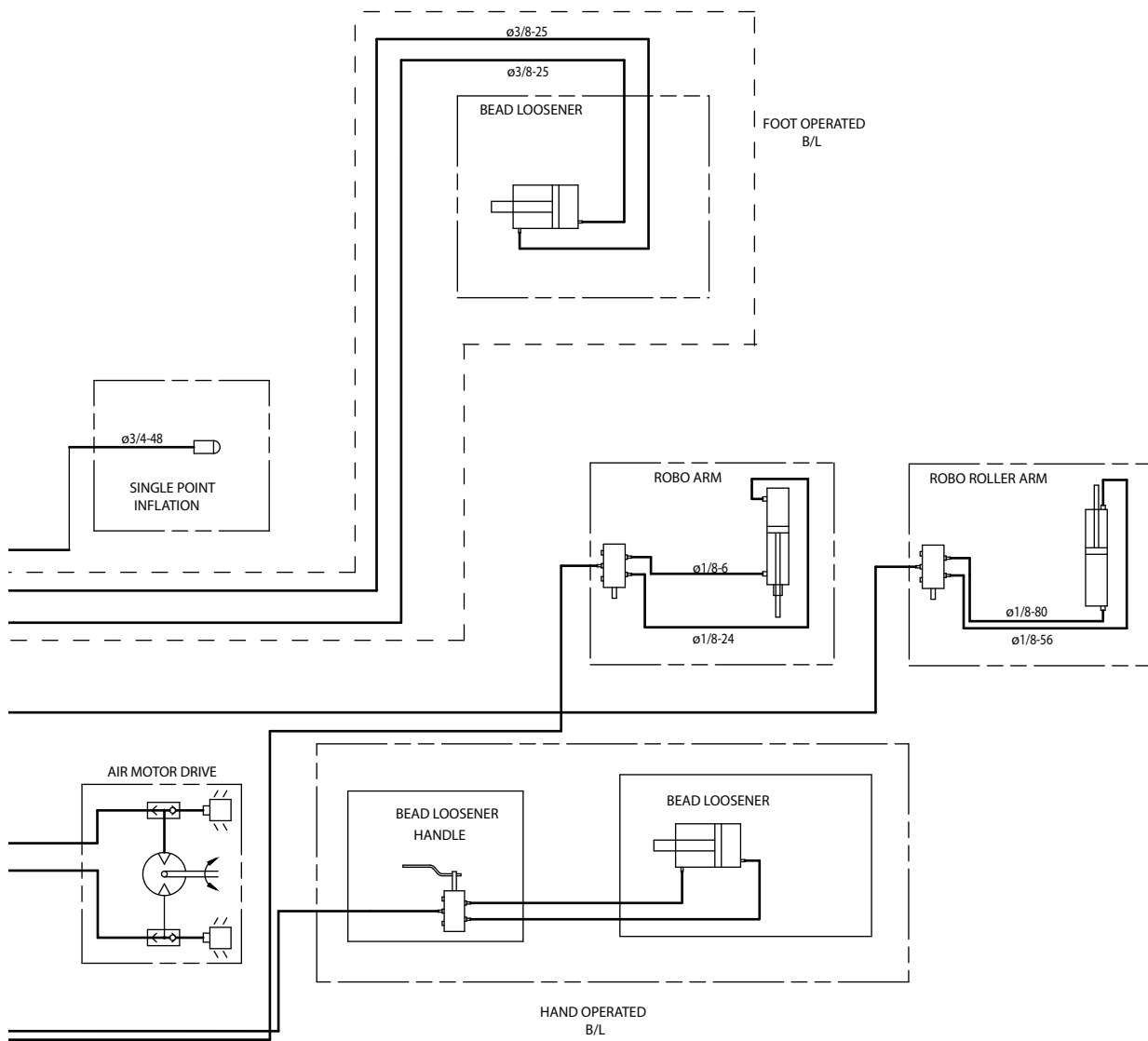


220V Motor, 2-speed



Pneumatic Diagram





Note: All possible tire changer options are displayed. Your tire changer will include the options specified by the model number.