



775 WHEEL BALANCER

Designed for low
volume balancing



Integrated LED Matrix Display



Easy-to-read visual cues and keypad promote proper balancing techniques and faster bay turnaround times.

Space Saving Design



The 775's small footprint allows it to fit almost anywhere.

Motorcycle External Clamping Kit



Mount motorcycle wheels for balancing without removing the bearings. Allows the 775 to easily be outfitted to handle motorcycles (optional).

775 WHEEL BALANCER

COATS®

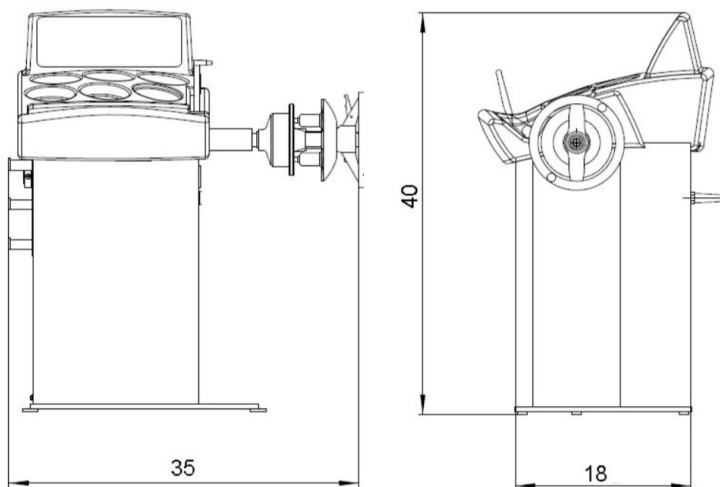
775 WHEEL BALANCER

DESIGNED FOR LOW VOLUME BALANCING

SPECIFICATIONS

Balancing Modes	10
Wheel Diameter Range	8" - 30"
Wheel Width Range	2" - 20"
Maximum Tire Diameter	Up to 34"
Maximum Tire Weight	100 lbs.
Shaft Diameter	40 mm
Resolution (Round Off Mode)	0.01 oz
Footprint	35"w x 18"d x 40"h
Ship Weight	200 lbs.
Interface	LED
Automatic Data Entry	None
Electrical Requirements	110v, 1ph
Warranty	1 Year Parts, 6 Months Labor
Part Number	85007775

EQUIPMENT FOOTPRINT



ACCESSORIES

* Included With Purchase

Part Number	Description
*8112098	Small A Cone
*8112099	Medium B Cone
*8112100	Large C Cone
*8112101	Light Truck Back Cone - D Cone
*8113175	Premium Wheel Weight Hammer
*8110542	Small Pressure Cup & Rubber Lip
*8112107	Spring
*8309011	Calipers
*8112103	Hub Nut
8112421	Short Cone
8111935	Faceplate Extension
85609499	Set of (8) Collets - Range 2.04" - 5.30"
85607503	Premium Quick Nut

RECOMMENDED OPTIONAL ACCESSORIES



Motorcycle External Clamping Kit
(PN 8111864)



In-Between Cone Set
(PN 8113795)



Lt. Truck Cone Kit
(PN 8113277c)

COATS®