



APPLICATION:

Dodge Ram 1500

Dodge Ram 2500/3500

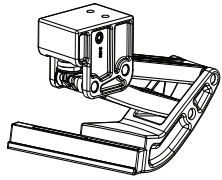
MODEL YR:

2002 - 2008

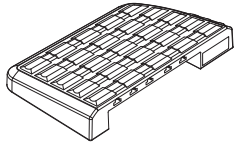
2003 - 2009

PART NUMBER:

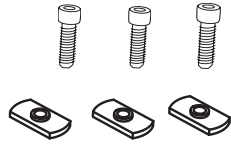
AMP 75304-01A



20-03435-10

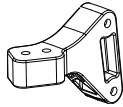


19-03593-90



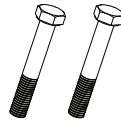
19-0 3560-90

19-03237-90

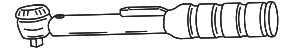


15-03415-90

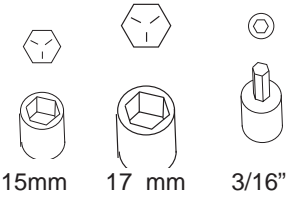
19-03429-90



19-02486-90



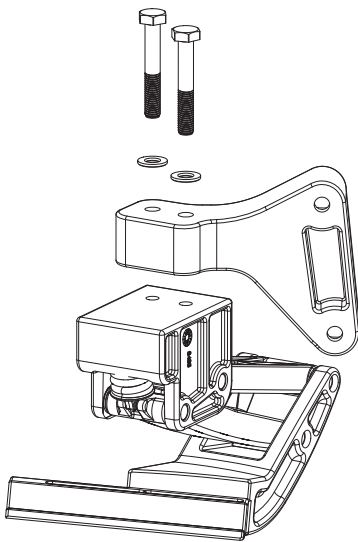
Torque wrench



15mm

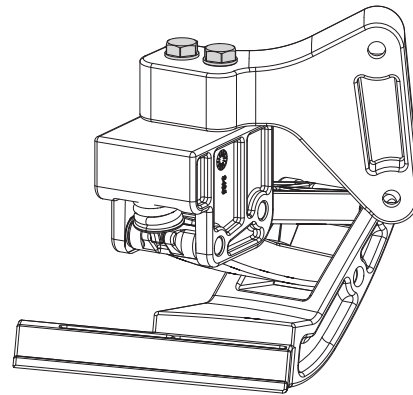
17 mm

3/16"

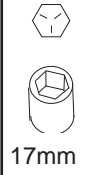


1

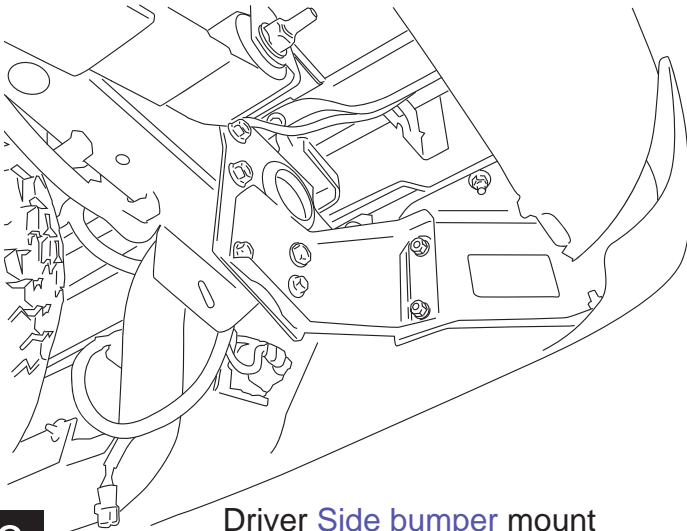
33 ft-lbs / 44 Nm



2

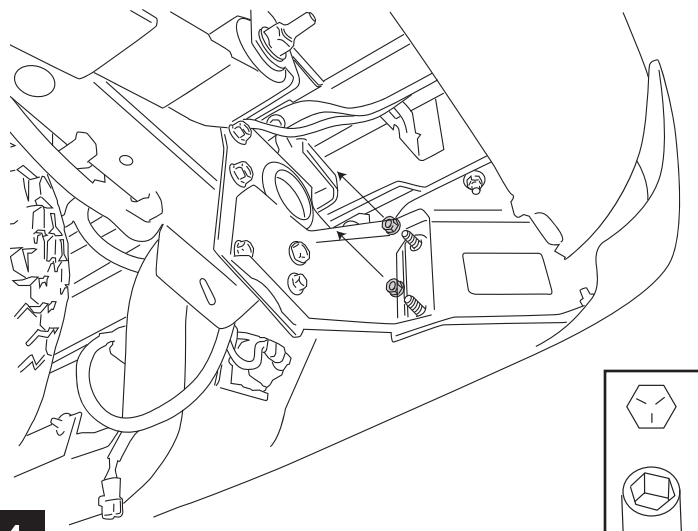


17mm

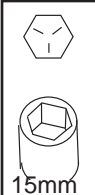


3

Driver Side bumper mount



4

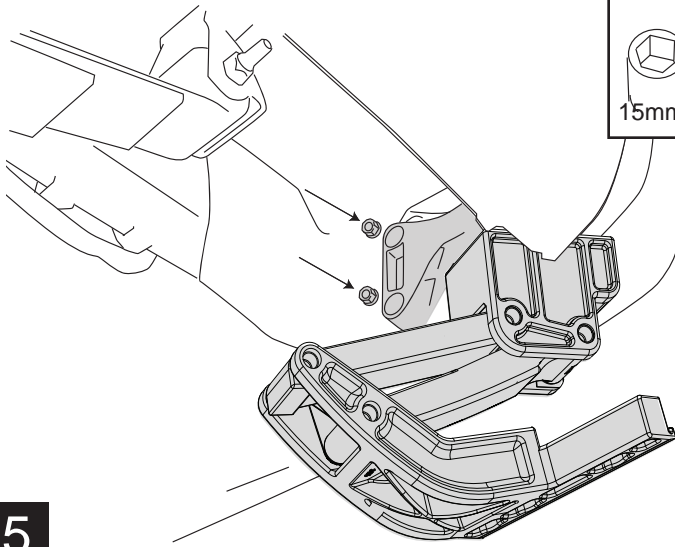


15mm

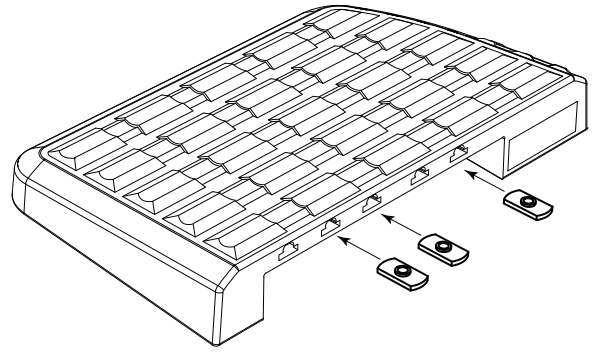
59 ft-lbs / 80 Nm



15mm



5

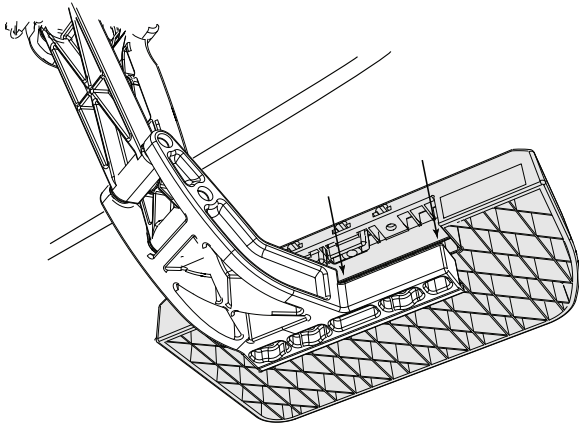


6

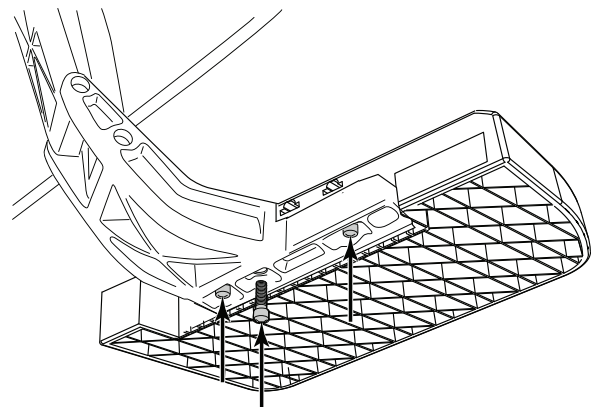
6 ft-lbs / 8 Nm



3/16"

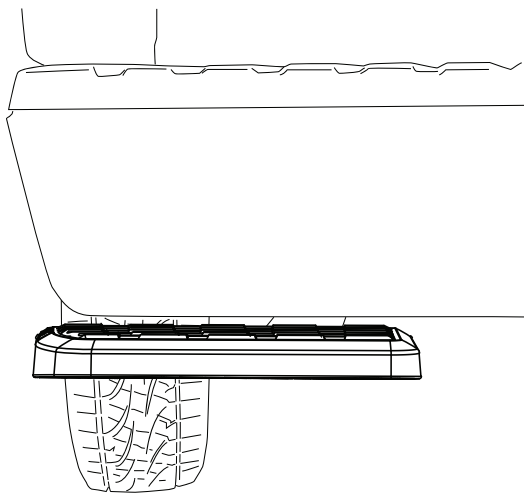


7

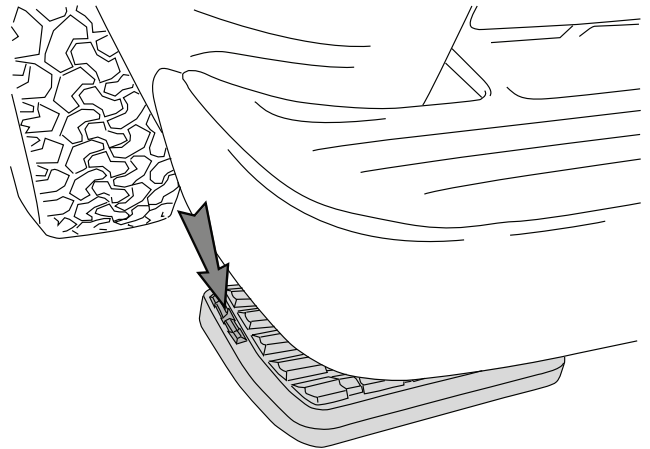


8

NOTE: Overtightening may damage step pad



9



10