

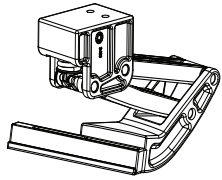
AMP RESEARCH BedStep®

MADE IN USA

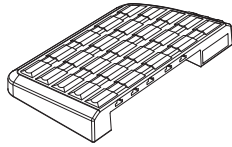
APPLICATION: Toyota Tundra
With Factory Tow Hitch

MODEL YR: 2007 - 2013

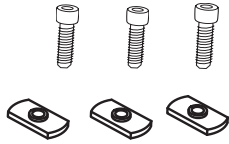
PART NUMBER:
AMP 75305-01A



20-03435-10



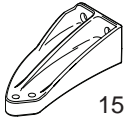
19-03593-90



19-03560-90

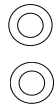
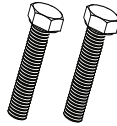


19-03237-90

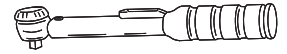


15-03519-90

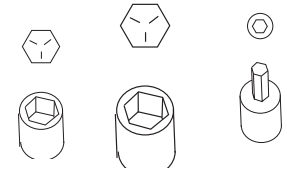
19-03569-91



19-03378-90



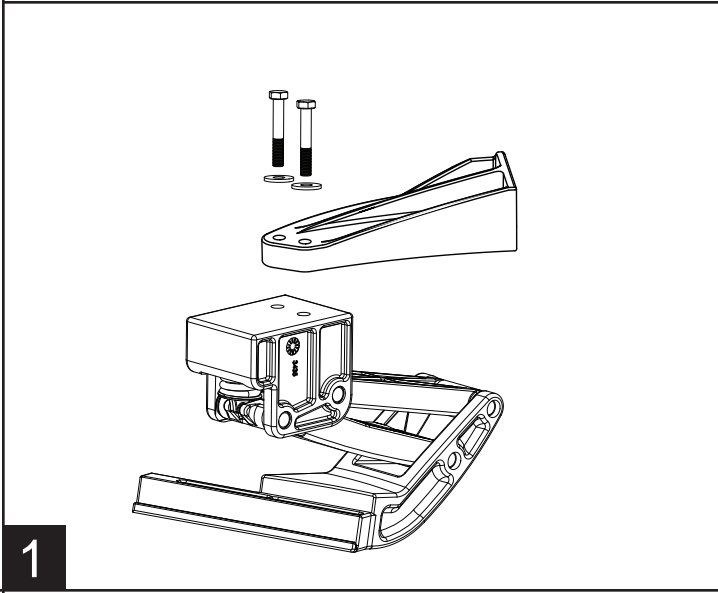
Torque wrench



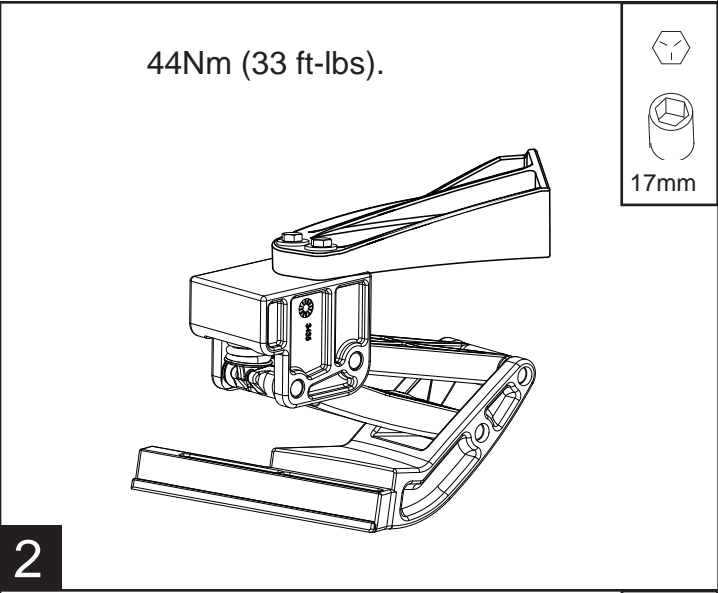
17mm

19mm

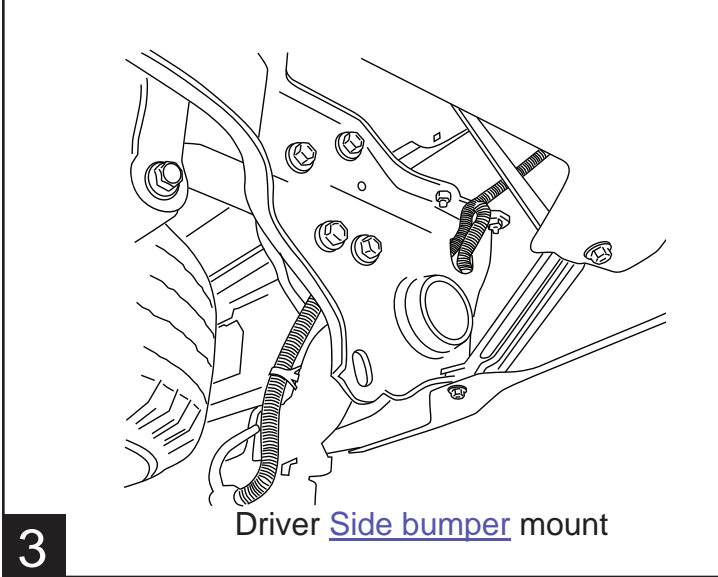
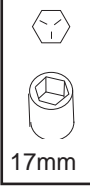
3/16"



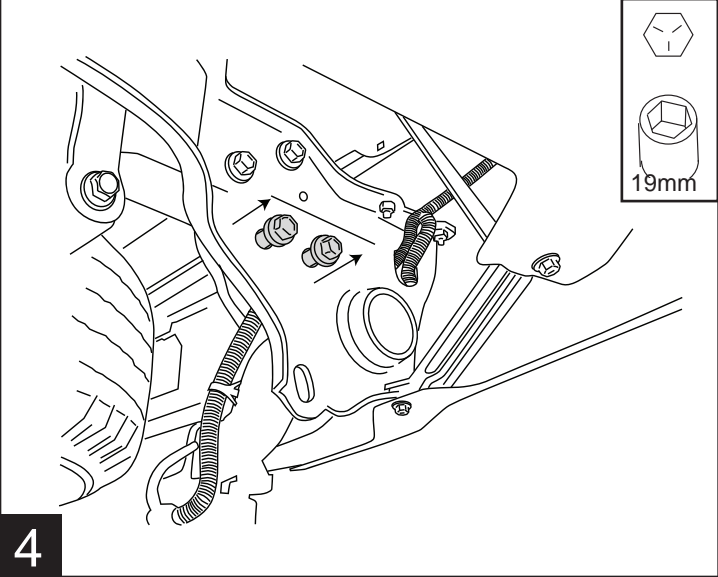
1



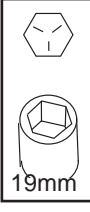
2



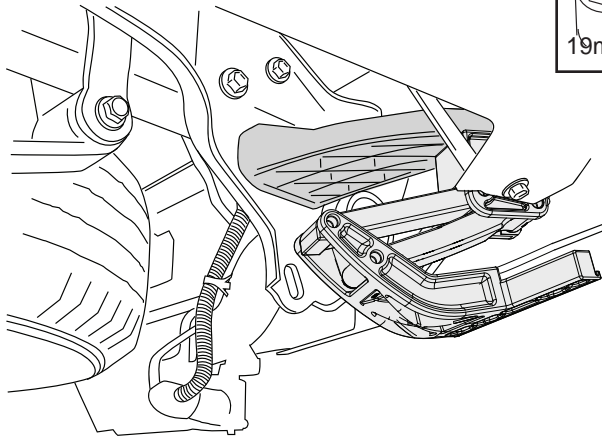
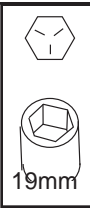
3



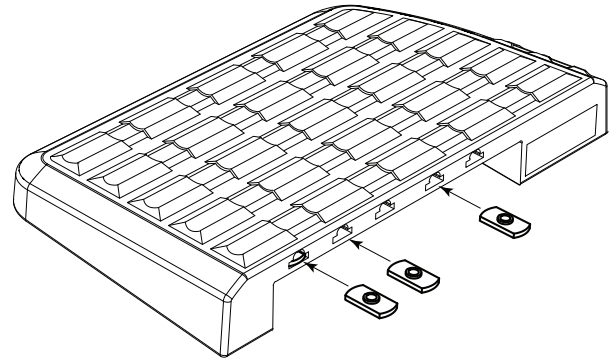
4



90 ft-lbs / 125 Nm.

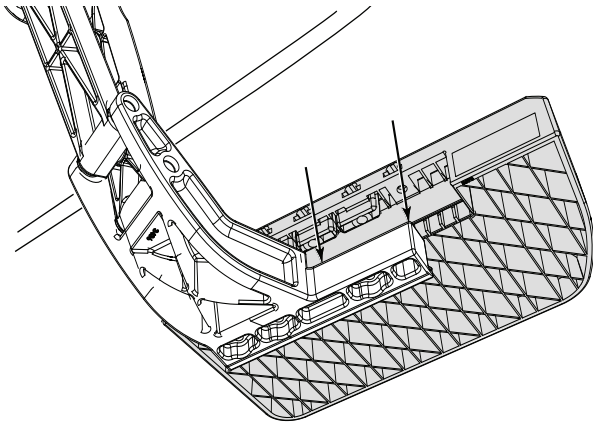
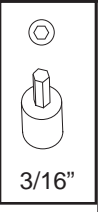


5

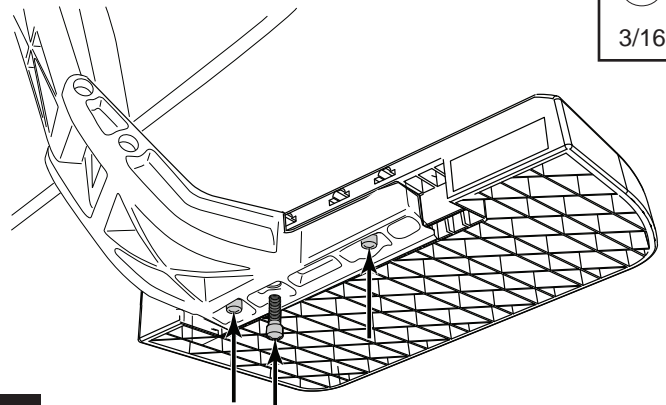


6

6 ft-lbs / 8 Nm.

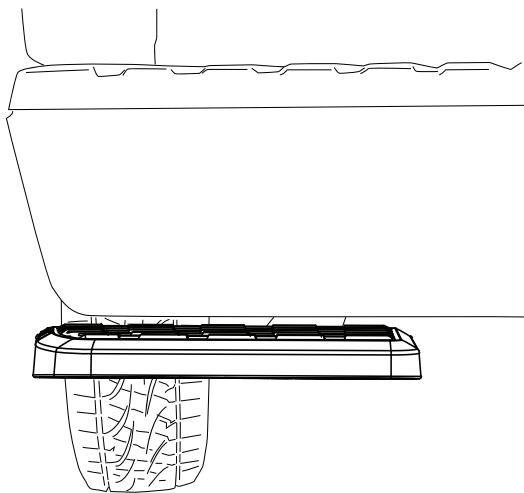


7

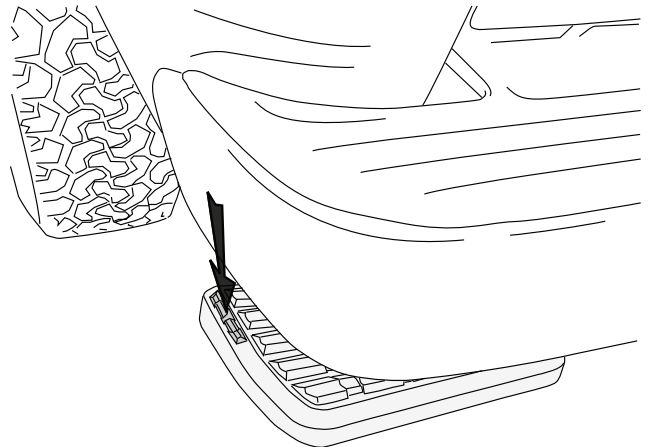


8

NOTE: Overtightening may damage step pad



9



10