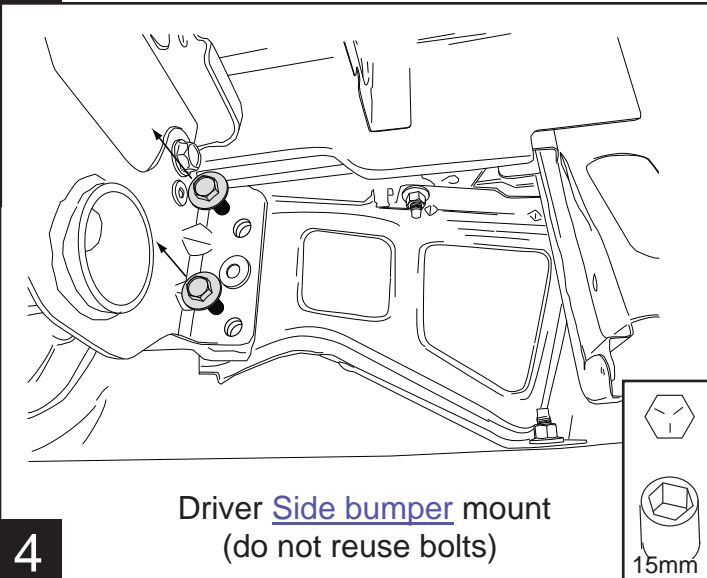
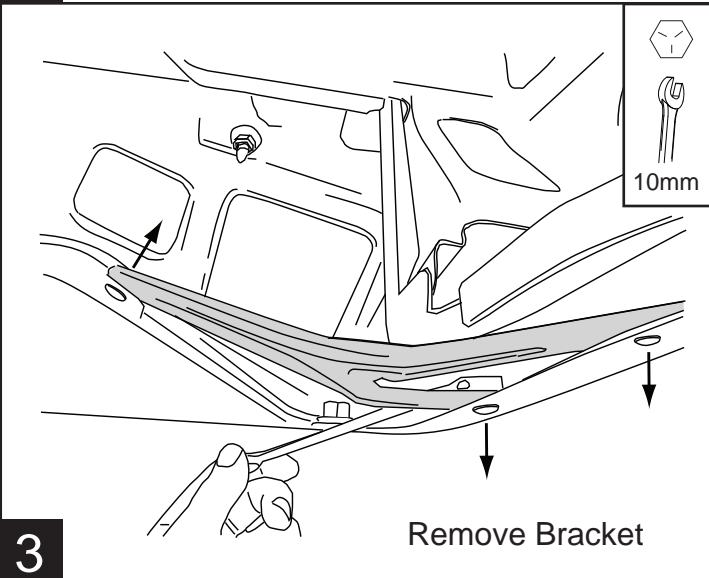
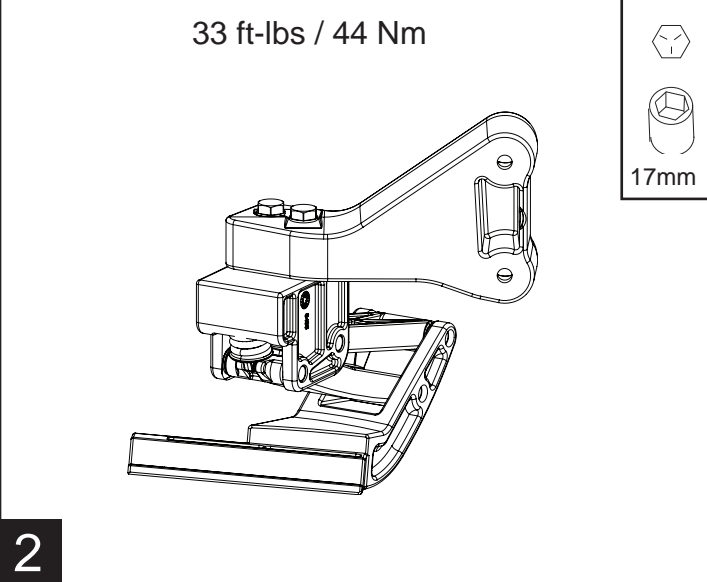
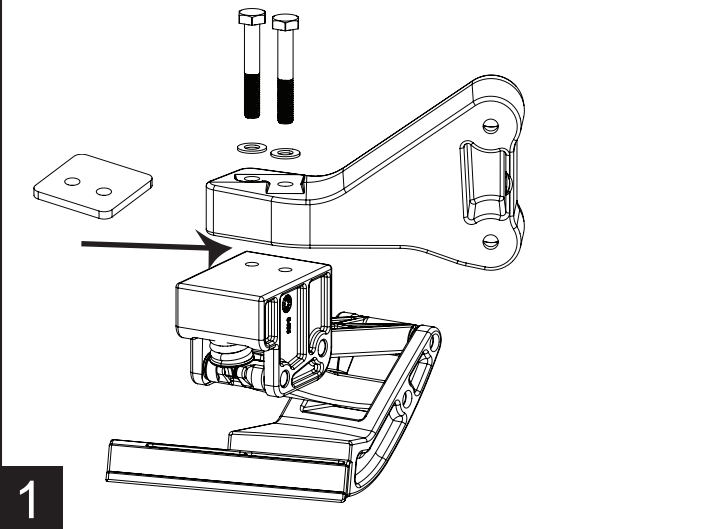


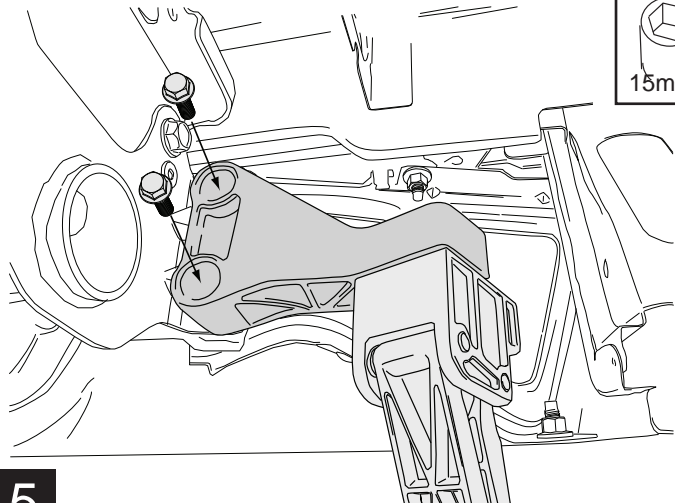
Spacer may be required on 2011-up model trucks



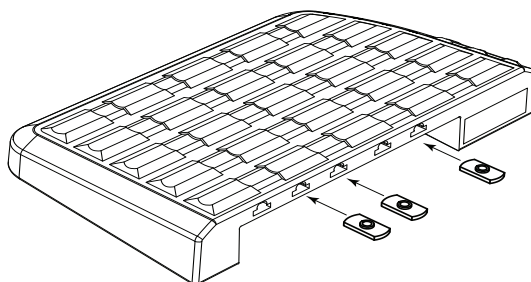
Hex Bolts: 41 ft-lbs / 55 Nm  
(use new supplied bolts)



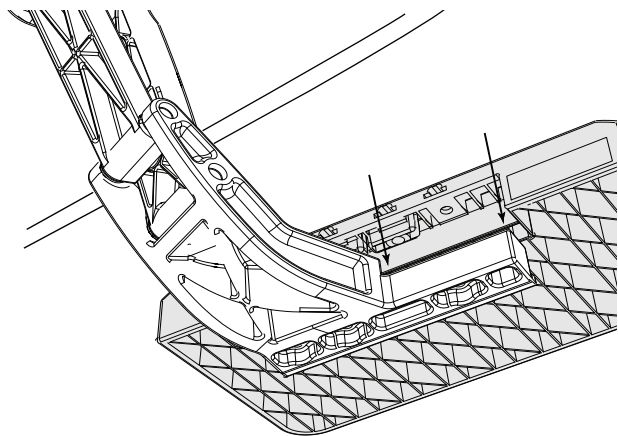
15mm



5



6

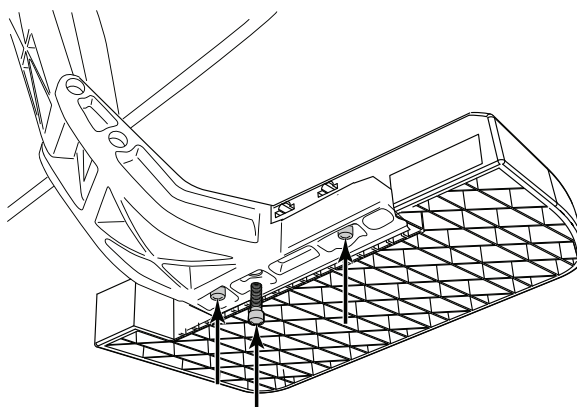


7

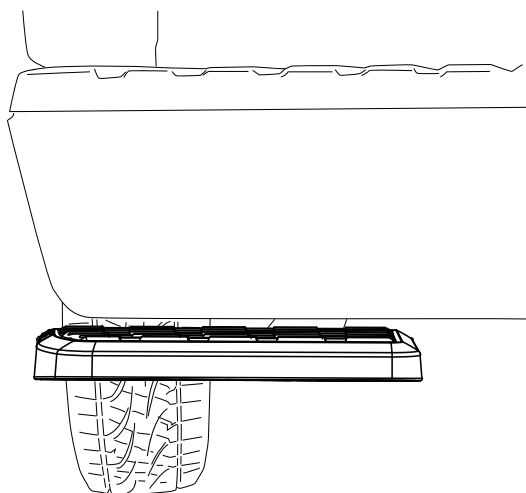
6 ft-lbs / 8 Nm



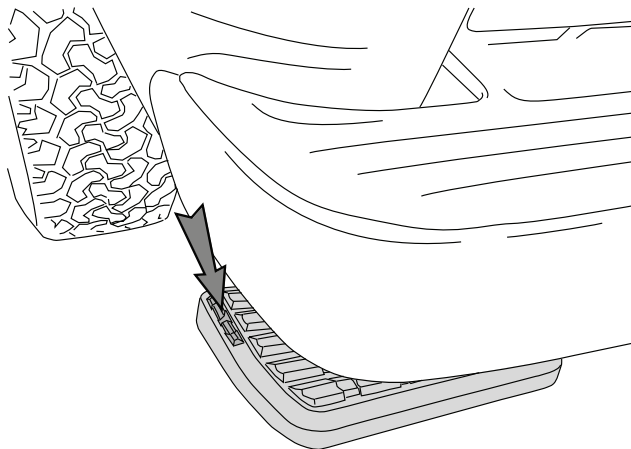
3/16"



8 NOTE: Overtightening may damage step pad



9



10