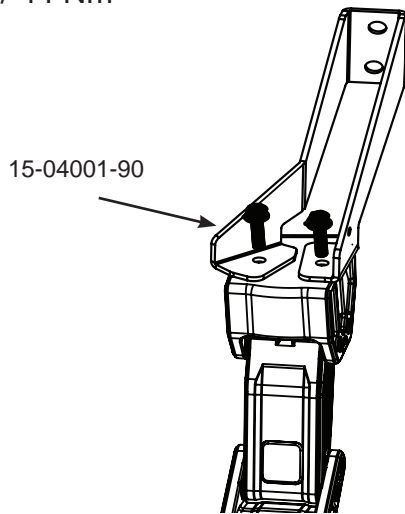
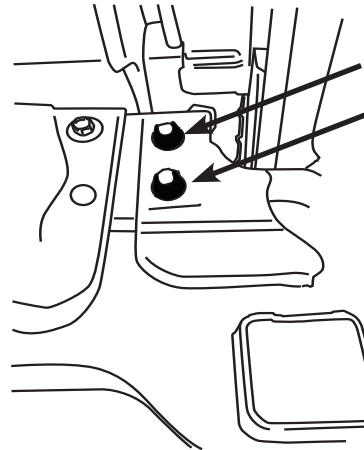


33 ft-lbs / 44 Nm



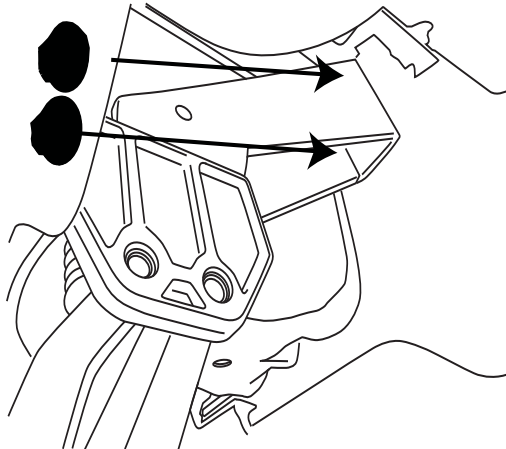
1

Remove factory bolts



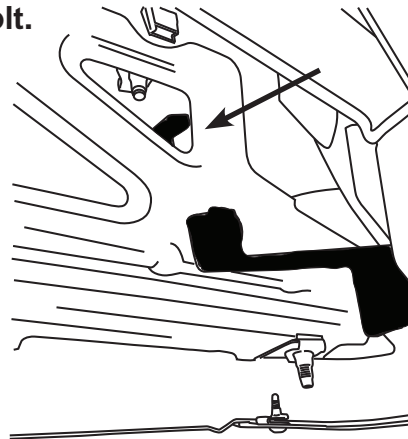
2

Install **bracket** to truck Torque nuts to 59 ft-lbs / 80Nm

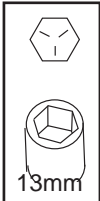
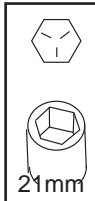


3

Insert threaded bracket (15-03963-90) into bumper and assemble bracket (15-04001-90) with supplied bolt. **Use slotted end of bracket at bolt.**

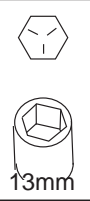
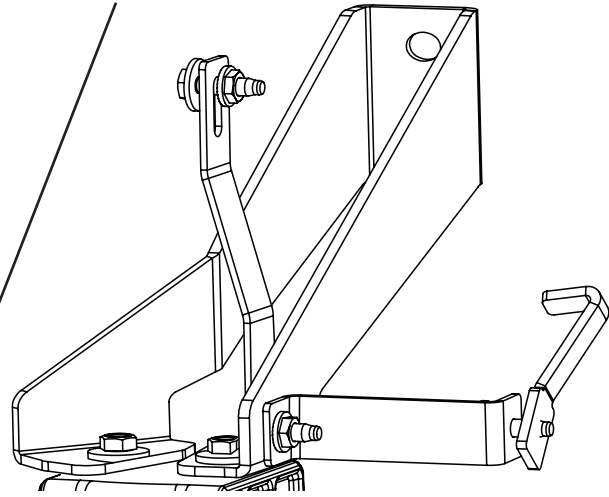
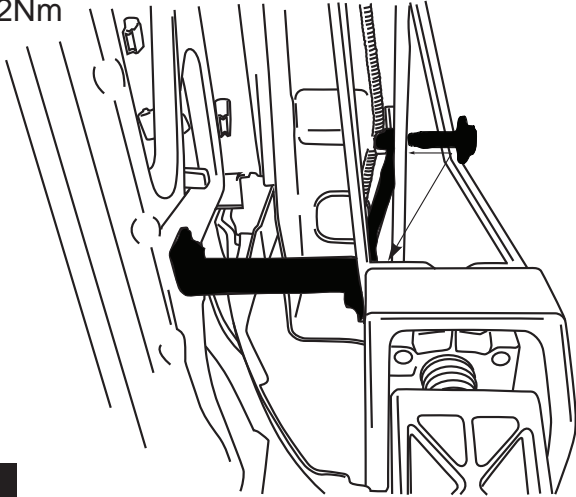


4



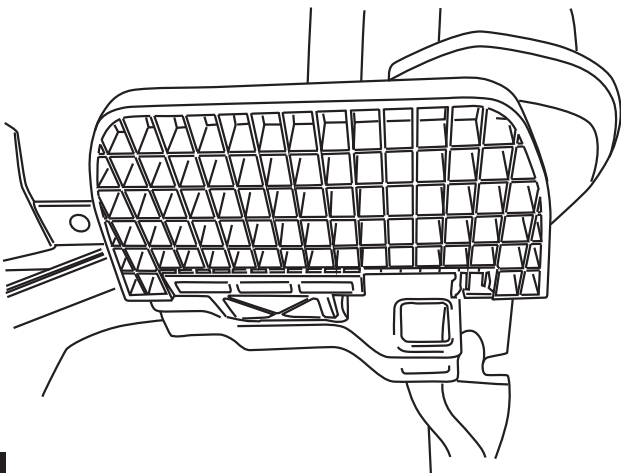
Install bracket (15-04012-90) to upper bed panel. Slotted side will mount on bed panel. See image for bracket orientation. Use provided bolts and nuts to mount and torque bolts to 16 ft-lbs / 22Nm

5



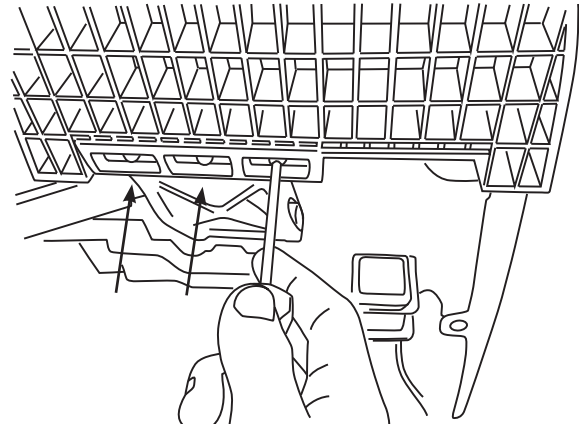
Install step pad. Offset pad to rearward position

6

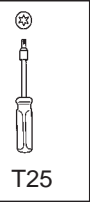


Torque 3 PT screws to 5 ft-lbs / 6Nm

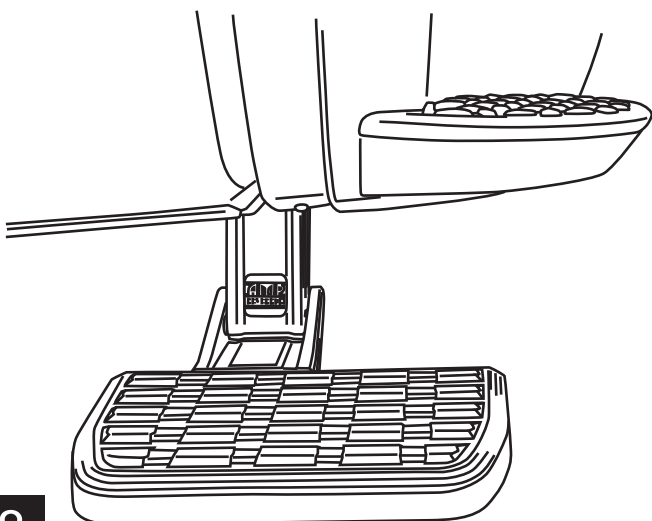
7



Note: Overtightening screws may damage step pad.



8



# Congratulations on the purchase of your AMP RESEARCH BedStep®



Here's what you should know...

## OPERATION

- The AMP Research BedStep® is foot operated and deploys and retracts with a nudge of your foot.
- To deploy, press down using your left foot, on the forward outside corner of the step pad.
- To retract, gently kick the underside of the step pad.
- Max Load Capacity: 300lbs.
  
- Always use appropriate hand holds when stepping up to or down from your truck's cargo bed.

## MAINTENANCE TIPS

The step pad surface and linkage arms can be washed with mild soap and water using a soft brush or sponge to dislodge any mud, dirt or accumulated road grime. Rinse with fresh water.

To prevent slipping, avoid applying waxes, lubricants or protectants like Armor All® to the step surface.

## ATTENTION!

**BEDSTEP SHOULD ALWAYS BE STOWED IN THE RETRACTED POSITION WHEN DRIVING.**