

AMP RESEARCH BedStep 2™

APPLICATION

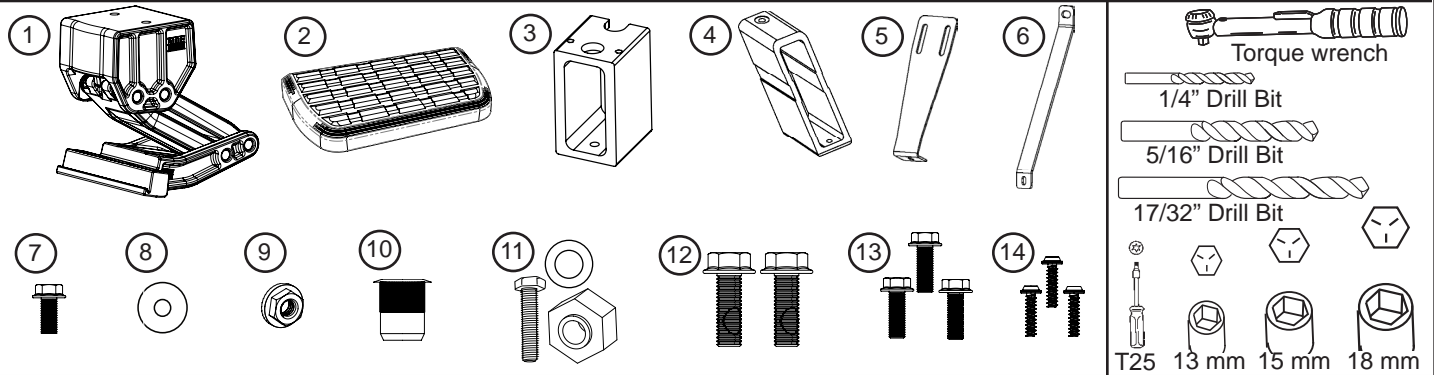
Dodge Ram DS

3500

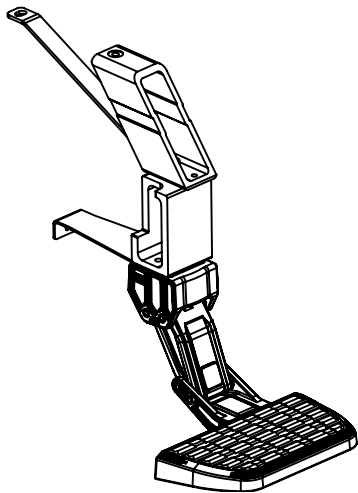
2010 - 2016

Dually 8' Bed

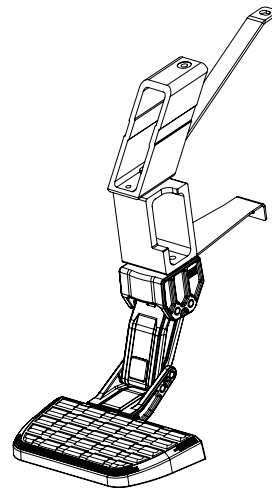
AMP PART # 75410-01A



Components must be configured for Passenger or Drivers-Side as shown.



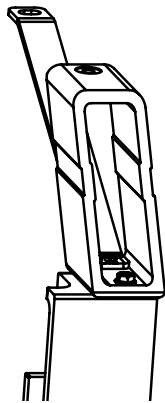
Driver-Side Orientation



Passenger-Side Orientation

Assemble Frame mount(4) to Lateral mount(3) with Bracket(6) using supplied M8 Flange bolts(13). Do not tighten.

Assemble Linkage Assembly(1) to Lateral mount(3) with Bracket(5) between using M10 Flange bolts(12). Do not tighten.

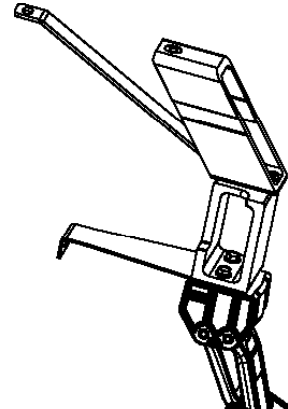


1



13mm

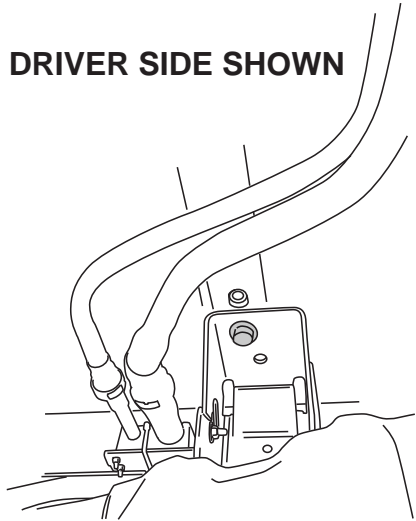
2



15mm

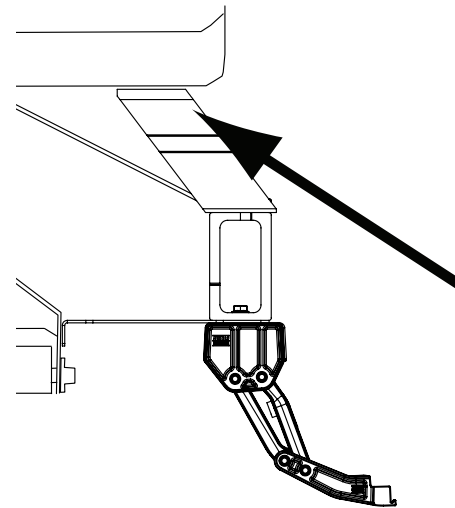
Locate Bed bolt in second bed channel back from the front. Remove bolt.

NOTE: DRIVER SIDE SHOWN

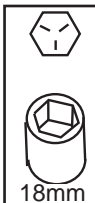


3

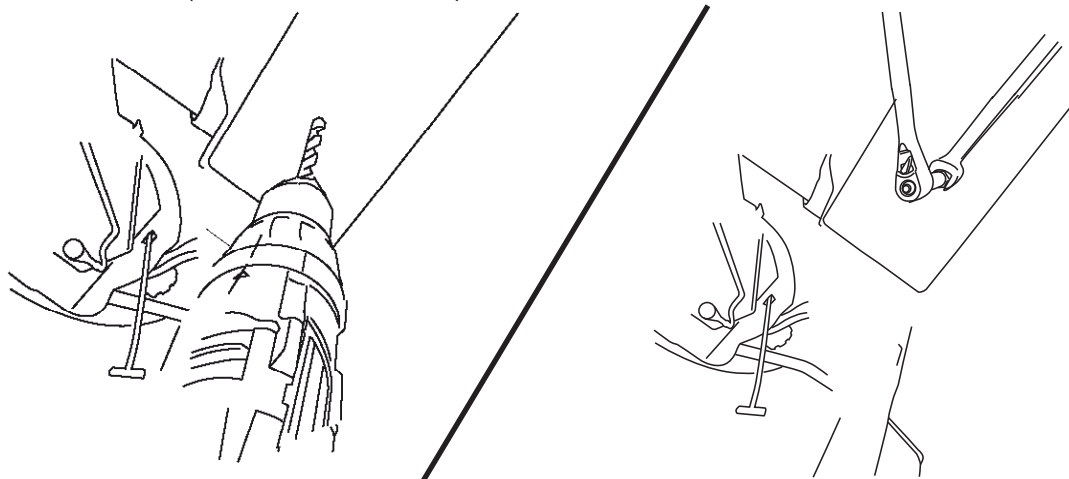
Set assembly into place as shown and mark hole in bed channel for rivet nut placement.



4



Once hole is marked remove Bedstep Assembly and pre drill using an 1/8" drill bit. Drill to 17/32". With Rivet Nut Tool held in place with 9/16" wrench, tighten Hex Bolt until Rivet Nut deforms and secures itself to the sheet metal (20 ft-Lbs. or 4 turns). Remove Hex Bolt and Rivet Nut Tool.

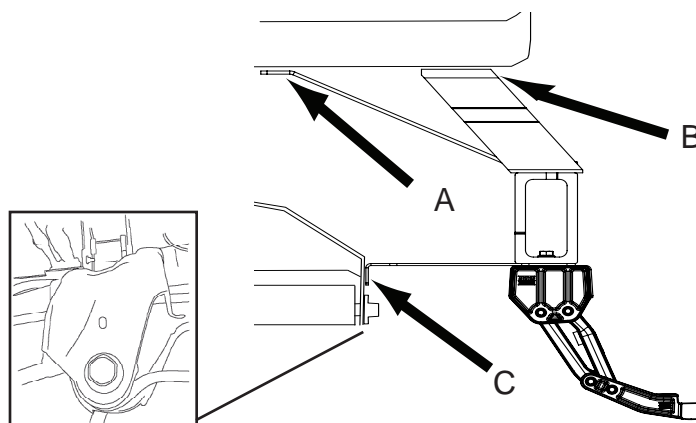


5

Reassemble Bedstep Assembly under truck and snug the three locations up.

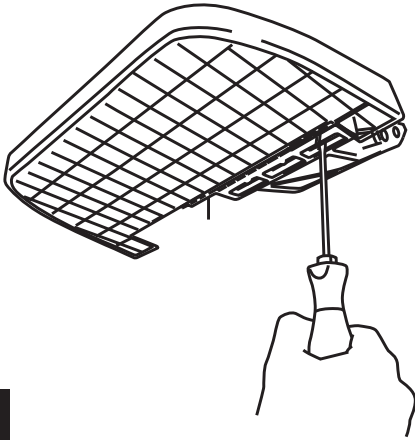
A. Torque bed bolt to 35 ft-lbs. B. Torque frame mount bolt to 20 ft-lbs. C. Use provided bolt(7), Washer(8), and Nut(9) to secure bracket to leafspring hanger. Torque to 20 ft-lbs.

Note if older model vehicle does not have hole mark and drill hole to 5/16".

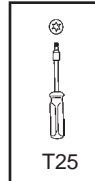


6

Locate the step pad in the following position. Step pad to be offset forward. Torque to 5 Ft-Lbs.

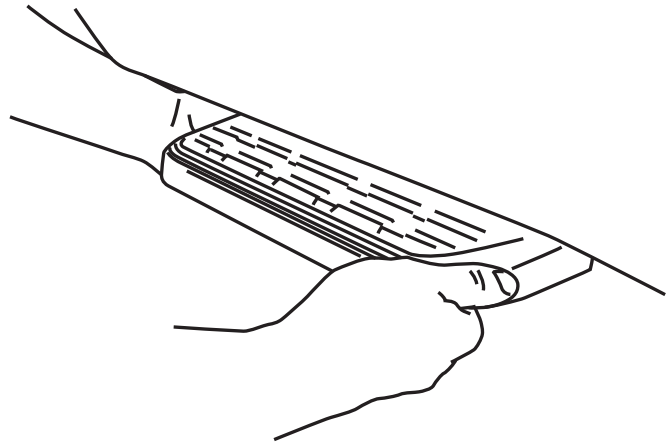


7

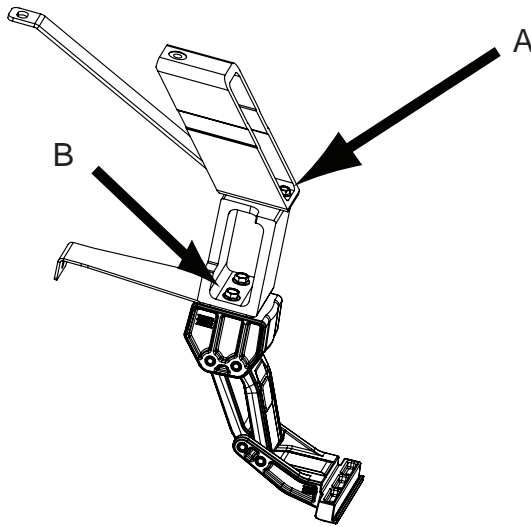


8

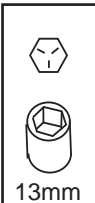
Verify step pad alignment to body line of vehicle.



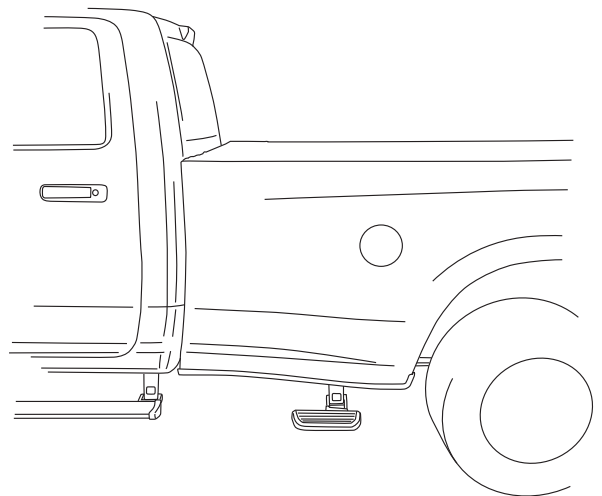
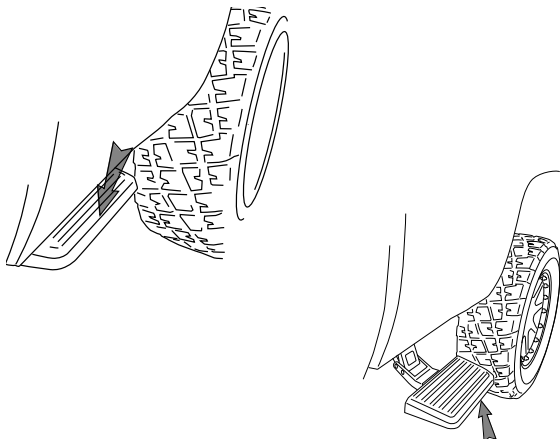
Torque bolts from step 1 & 2. A. Torque bolts to 20ft-lbs. B. Torque bolts to 20 ft-lbs.



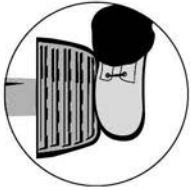
9



To deploy step pad press down using your foot on the outer edge of the step pad. To retract, gently kick up on the underside of the step pad.



10



BEDSTEP²[™] OPERATION

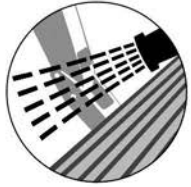
The AMP Research [BedStep](#) is foot operated and deploys and retracts with a nudge of your foot. To deploy, press down using your foot, on the outside edge of the step pad.

Maximum load capacity of the deployed step pad is 300 lbs.

Always use appropriate hand holds when stepping up to or down from your truck's cargo bed.



To retract, gently kick up on the underside of the step pad.



MAINTENANCE TIPS - The stepping surface and linkage should be periodically washed with mild soap and water using a soft brush or sponge to dislodge any mud, dirt or accumulated road grime.

In severe driving conditions, pressure washing the linkage is strongly recommended.

Do not apply silicone spray, waxes or protectants like Armor All[®] to the stepping surfaces.

CAUTION! BEDSTEP²[™] SHOULD ALWAYS BE STOWED IN THE RETRACTED POSITION WHEN DRIVING.