



For 2009-2018 Dodge Ram 1500 Regular Cab(Incl. 2019 Ram 1500 Classic)/2010-2019 Dodge Ram 1500/3500/4500/5500 Regular Cab

## Installation Instructions for IA04SAG8B by APS Auto Parts Specialist Inc.

**Application:** FOR 2009-2018 Dodge Ram 1500 Regular Cab(Incl. 2019 Ram 1500 Classic)/  
2010-2019 Dodge Ram 2500/3500/4500/5500 Regular Cab

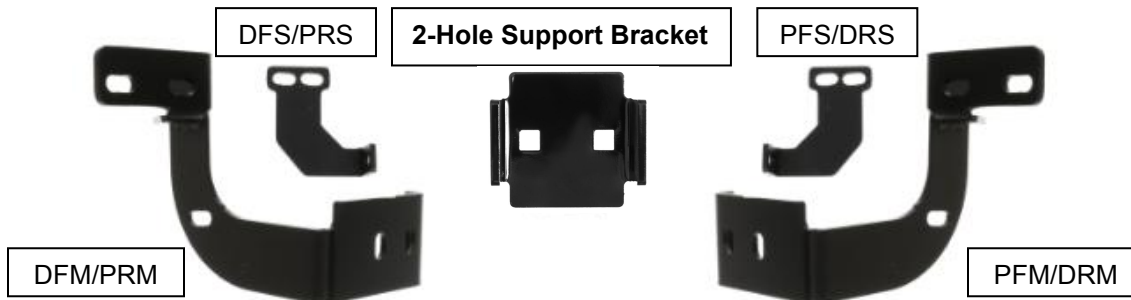
**Estimated Time:** 1 to 2 hours



The instruction here is for your reference only. We strongly recommend the professional installer for best result. We are not responsible for any damage caused by the installation. Thank you for choosing our product!

**PARTS LIST:**

Item	QTY	Description	Item	QTY	Description
#1	2	Driver/ Passenger Side Bar	#11	8	8mm Lock Washers
#2	2	Driver Front Mounting Bracket (DFM/PRM)	#12	4	M8 Hex Nuts
#3	2	Passenger Front Mounting Brackets (PFM/DRM)	#13	4	M8 Nylon Lock Nuts
#4	2	Driver Support Brackets (DFS/PRS)	#14	8	M6x1-25 Hex Bolts
#5	2	Passenger Support Brackets(PFS/DRS)	#15	16	6mm Flat Washers
#6	4	2-Hole Support Bracket	#16	8	M6 Nylon Lock Nuts
#7	4	8mm Nut/Bolt Plates	#17	8	M10X1.5-75 Carriage Bolts
#8	4	8mm Plastic Washers	#18	8	M10 Lock Washers
#9	12	M8X1.25-30 Hex Bolts	#19	8	M10 Flat Washers
#10	16	8mm Flat Washer	#20	8	M10 Hex Nuts



**PROCEDURE:**

- REMOVE CONTENTS FROM BOX. VERIFY ALL PARTS ARE PRESENT. READ INSTRUCTIONS CAREFULLY BEFORE STARTING INSTALLATION. DRILLING MAY BE REQUIRED.**
- Starting at the driver side-front of the vehicle, remove the sealing tape covering the factory holes in the side of the inner panel, **(Figure 1)**.
- Determine the correct procedure to attach one driver side Bracket for your model/year:
 

**Models without factory threaded inserts in body panel:**

  - Partially thread an 8mm Hex Bolt onto the threaded end of a 8mm Bolt and Nut Plate, **(Figure 2)**. Thread the Hex Bolt in until it is flush with the welded nut, **(Figure 3)**. Use the Hex Bolt as a handle and insert the Bolt and Nut Plate into the oval hole, **(Figure 4)**. Feed the threaded bolt on the Bolt Plate through one of the hex shaped factory holes. Thread (1) 8mm Plastic Retainer onto the threaded end and down tight against the body panel, **(Figure 5)**. **NOTE:** The Plastic Retainer is designed to keep the Bolt/Nut Plate from falling into the body panel and to aid in Bracket installation.
  - Select a driver side Mounting Bracket, **(Figure 6)**. Attach the Bracket to the threaded end of the Bolt Plate with (1) 8mm Flat Washer, (1) 8mm Lock washer and (1) 8mm Hex Nut, **(Figure 7)**. Do not tighten at this time.
  - Remove the 8mm Hex Bolt from the nut on the Bolt Plate from **Step 3a**. Rotate the Bolt on the Bolt Plate until the threaded nut lines up with the remaining hole in the Mounting Bracket and body panel, **(Figures 7 & 8)**. Attach the Bracket to the threaded Nut Plate with (1) 8mm x 30mm Hex Bolt, (1) 8mm Lock Washer and (1) 8mm Flat Washer, **(Figure 8)**. Do not fully tighten hardware at this time.

**Models with factory threaded inserts:**

  - Attach the driver side Bracket to the threaded inserts with (2) 8mm x 30mm Hex Bolts, (2) 8mm Lock Washers and (2) 8mm Flat Washer, **(Figures 9 & 10)**. Leave hardware loose.
- Next, select a driver side Support Bracket. Attach the Bracket to the front facing side of the front Bracket with (1) 8mm x 30mm Hex Bolt, (2) 8mm Flat Washers and (1) 8mm Nylon Lock Nut, **(Figure 11)**. Rotate the Support Bracket to the back of the pinch weld. Line up the slots in the top of the Support

Bracket with the (2) factory holes in the pinch weld. Attach the Bracket to the back of the pinch weld with (2) 6mm x 25mm Hex Bolts, (4) 6mm Flat Washers and (2) 6mm Nylon Lock Nuts, (**Figures 10 & 11**). Do not fully tighten hardware at this time. **IMPORTANT:** 2009-10 models are not equipped with factory holes and will require drilling through the pinch weld to attach the Support Bracket. Do not drill through pinch weld at this time.

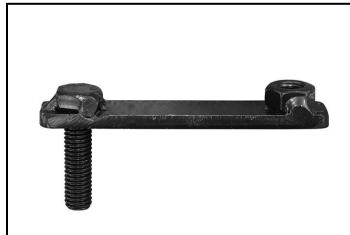
5. Move to the rear location, (**Figure 12**). Repeat **Step 3** to install the rear Mounting Bracket, (**Figure 13**).
6. Select the Driver Side Bar. Slip (2) M10X1.5-75 Carriage Bolts into each 2-Hole Support Brackets, and insert the 2-Hole support bracket into the Driver Side Bar. (**Fig 14**). Carefully position the Bar onto the (4) Mounting Brackets. **IMPORTANT:** Do not slide the Bar on the Brackets or damage to the finish may result. Attach the Driver Side Bar to the Mounting Brackets with (2) M10 Hex Nuts, (2) 10mm lock washers and (2) 10mm flat washers, (**Fig 15**). Do not tighten hardware.
7. Level and adjust the Bar properly and tighten all hardware. **NOTE: Torque all M10 X1.5-75 Carriage Bolts to 22~25 lb-ft. Don't over tighten, or the aluminum square bars will be damaged by the brackets.**
8. Repeat Step 2-7 for the other side installation. Installation completed!!! (**See Fig 16**)
9. Do periodic inspections to the installation to make sure that all hardware is secure and tight.

Products have a high quality finish that must be cared for like any other exposed finish on the vehicle. Protect the finish with a non-abrasive automotive wax, (e.g. Pure Carnauba) on a regular basis. The use of any soap, polish or wax that contains an abrasive is detrimental, as the compounds scratch the finish and open it to corrosion.

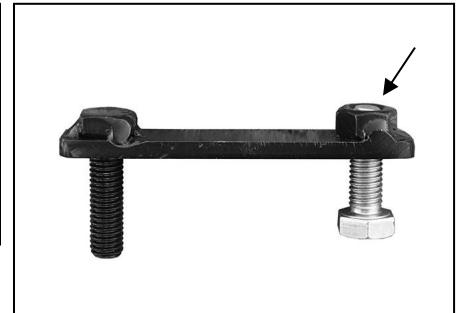
#### Driver/Passenger Side Installation Pictured



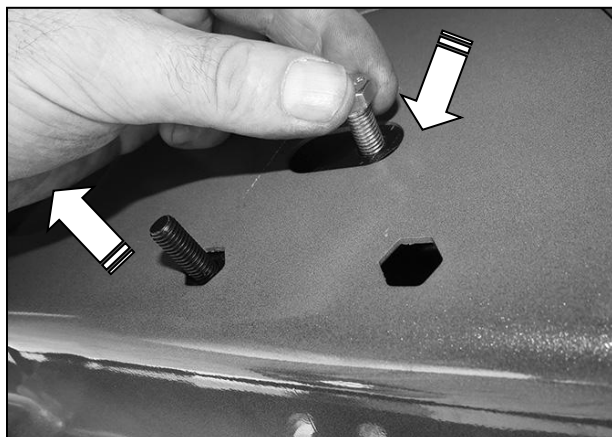
(Fig 1) 2009-mid 2015 Driver/Left front mounting location (No factory holes in pinch weld 2009-2011 models)



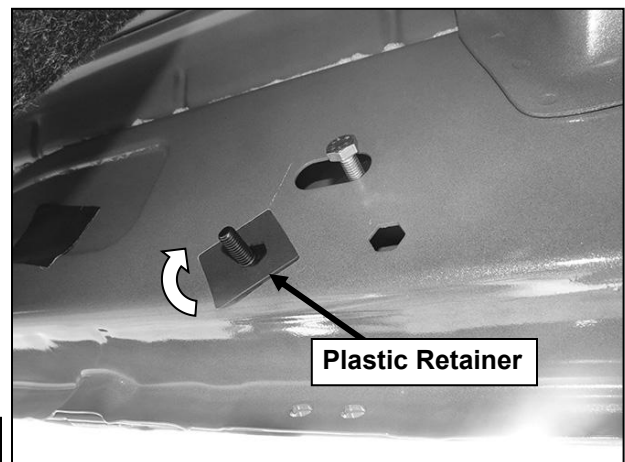
(Fig 2) 8mm Bolt-8mm Nut Plate, NOTE: 8mm Bolt-Nut Plate is not required on models with threaded inserts



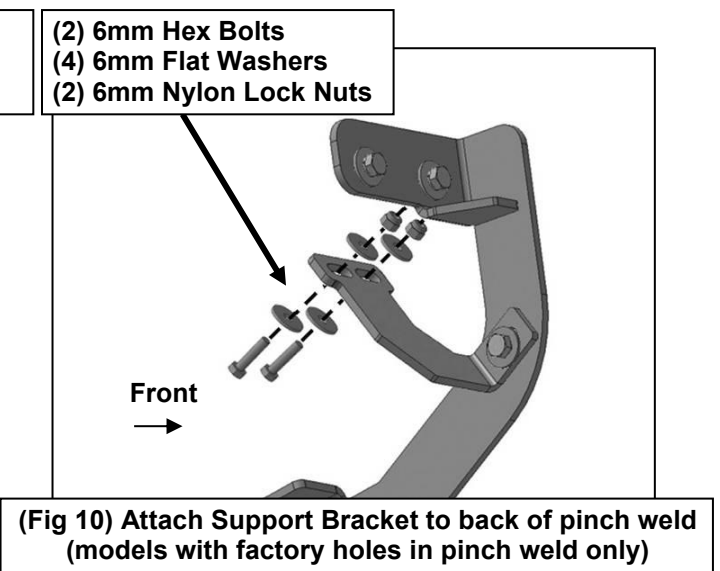
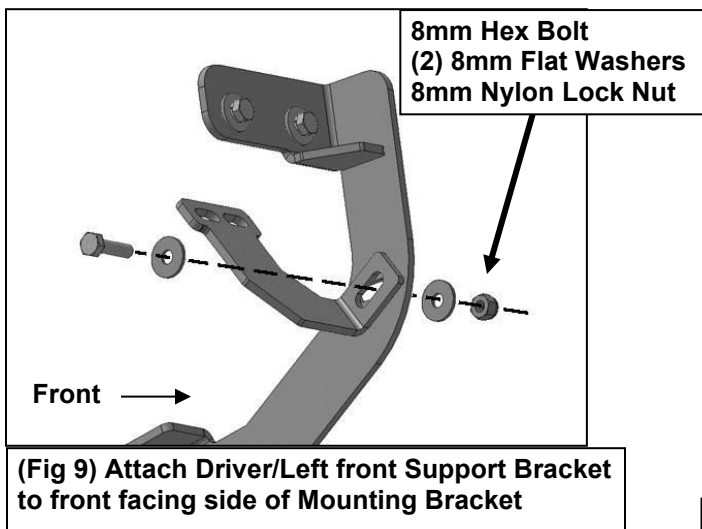
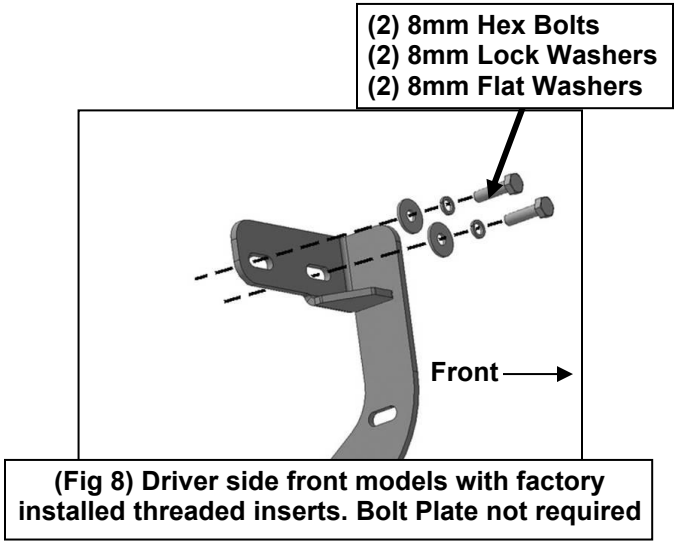
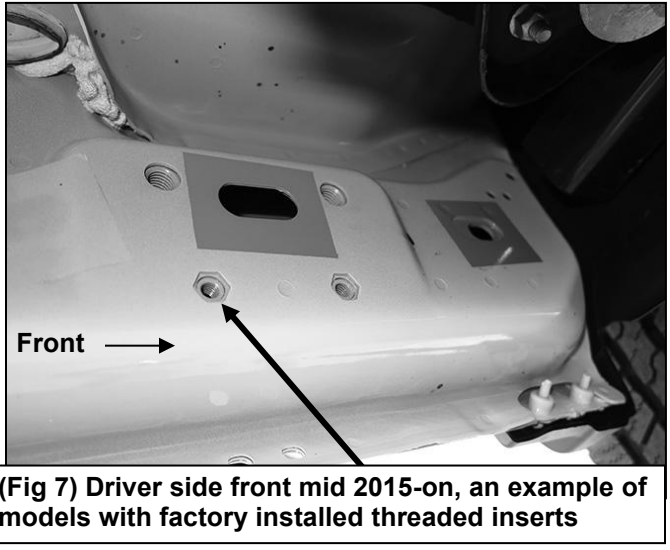
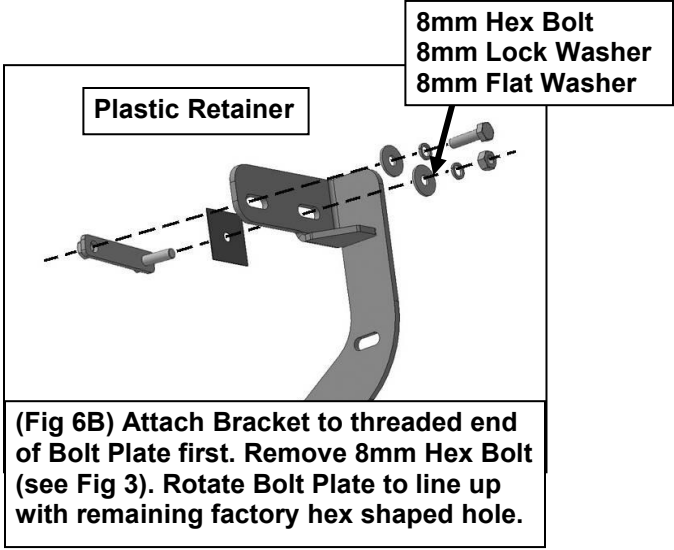
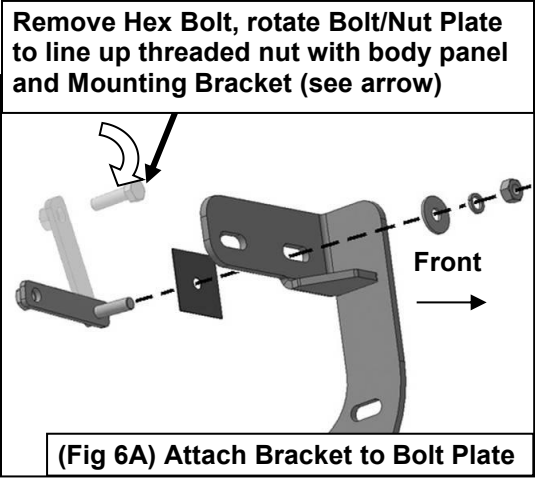
(Fig 3) Thread (1) 8mm Hex Bolt into the nut on the plate. Stop when bolt reaches end of nut as pictured



(Fig 4) Use the loose Hex Bolt as a handle. Insert the Bolt Plate into the oval hole and feed the threaded end out either factory hex shaped hole. **IMPORTANT:** Do not let go of the hex bolt until after Plastic Retainer has been threaded onto bolt (Fig 5)



(Fig 5) Thread Plastic Retainer onto Bolt Plate to hold Bolt Plate in position.



- (2) 6mm Hex Bolts
- (4) 6mm Flat Washers
- (2) 6mm Nylon Lock Nuts

