



**TAB001-AMPS**



**SPRM38MM**



**APMAMPS38MM**



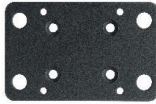
**SP10FLIFT**



**SP-12M-4M7**



**SPFLBKTRC**



**APFLBKTRC**



**APFLBKTRC**



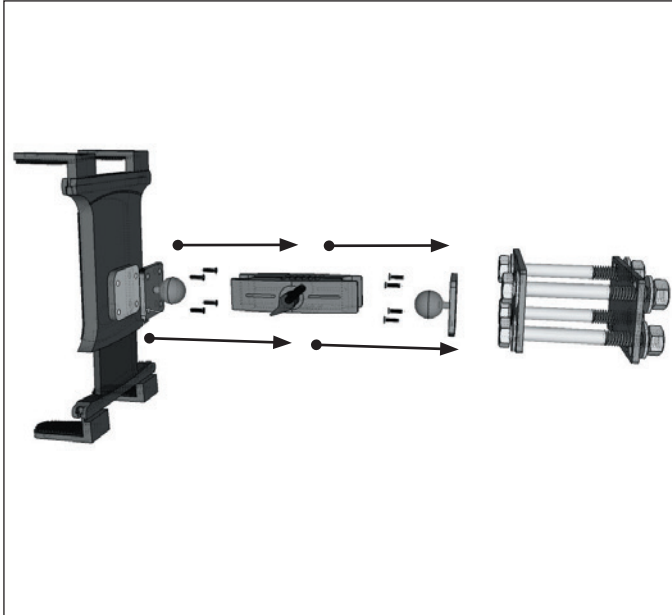
Example of assembled mount

**Package Contents:**

- (1) **APFLBKTRC** – 2.5" x 4" Black Steel Forklift Mounting Plate
- (1) **APFLBKTRC** – 2.5" x 4" Black Steel Recessed Forklift Mounting Plate
- (1) **SP10FLIFT** – Hardware Pack
- (1) **SPFLBKTRC** – Recessed Plate Hardware Pack
- (1) **TAB001-AMPS** – Slim-Grip Universal Tablet Holder with AMPS Pattern
- (1) **SPRM38MM** – 38mm Metal Robust Mount Shaft
- (2) **APMAMPS25MM** – Metal AMPS to 38mm Ball Adapter
- (1) **SP-12M-4M7** – Screw Pack

Each steel plate weighs just over .5 pounds and measures 4" x 2.5" x 1/4" (101mm x 64mm x 6mm).

FLBK38TAB1 includes two steel mounting plates (including one recessed plate) for placement on either side of the forklift pillar. Use the included recessed plate hardware pack to secure the recessed plate to the FRONT of the forklift pillar. Use the included 3/8-16x4" Tap Bolts with washers and nuts to secure the plates at each corner.



**Safety Precautions**

Use caution during installation when handling heavy metal plates to avoid injury. Arkon assumes no responsibility of liability for injury or death due to the installation or use of this mount.

**ARKON® MOUNTS**