

APFLBKTRC



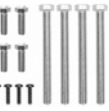
APFLBKT



SP25MM17



APMAMPS25MM



SP10FLIFT



SPFLBKTRC



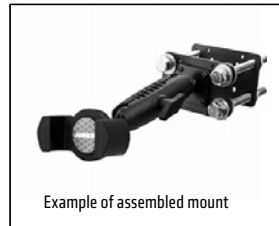
SP-12M-4M7



RVXLWR-B



SP-RM250



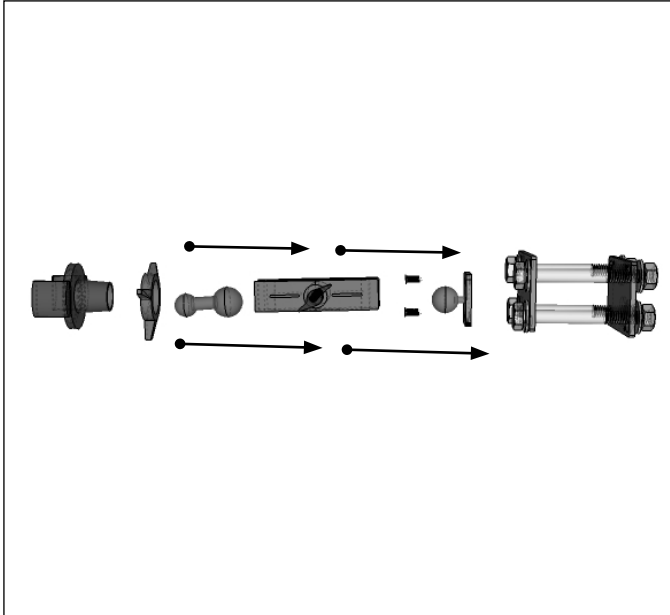
Example of assembled mount

Package Contents:

- (1) APFLBKT – 2.5" x 4" Black Steel Forklift Mounting Plate
- (1) APFLBKTRC – 2.5" x 4" Black Steel Recessed Forklift Mounting Plate
- (1) SP10FLIFT – Hardware Pack
- (1) SPFLBKTRC – Recessed Plate Hardware Pack
- (1) RVXLWR-B – RoadVise™ XL Holder for Phones and Midsize Tablets
- (1) SP-RM250 – Robust Mount Shaft
- (1) APMAMPS25MM – Metal AMPS to 25mm Ball Adapter
- (1) SP-12M-4M7 – Screw Pack
- (1) SP25MM17 – 25mm Ball to 17mm Ball Adapter

Each steel plate weighs just over .5 pounds and measures 4" x 2.5" x 1/4" (101mm x 64mm x 6mm).

FLBKTXL includes two steel mounting plates (including one recessed plate) for placement on either side of the forklift pillar. Use the included recessed plate hardware pack to secure the recessed plate to the FRONT of the forklift pillar. Use the included 3/8-16x4" Tap Bolts with washers and nuts to secure the plates at each corner.



Safety Precautions

Use caution during installation when handling heavy metal plates to avoid injury. Arkon assumes no responsibility of liability for injury or death due to the installation or use of this mount.

ARKON® MOUNTS