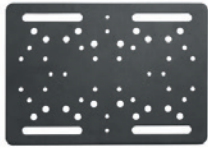
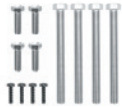


**APFLIFT**



**SP10FLIFT**



**TAB005KL-B**



**SPRM38MM**



**APMAMP538MM**



**SPTAB5KL**



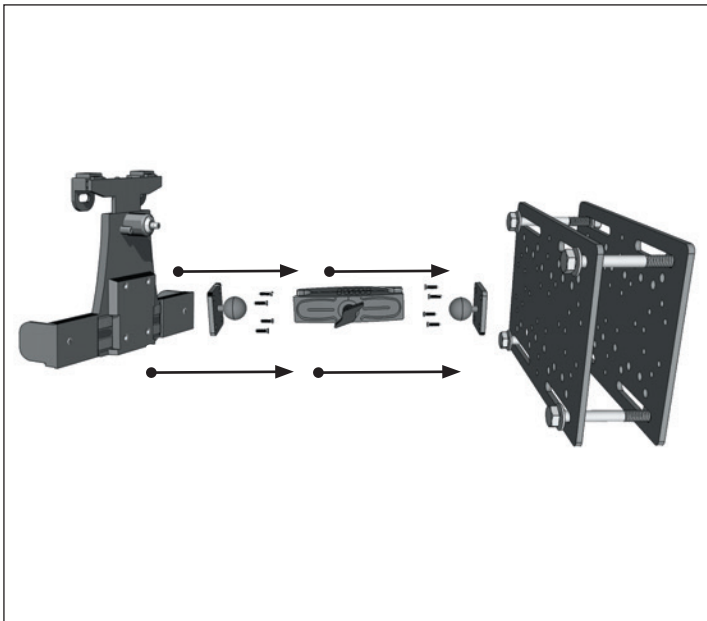
Example of assembled mount

**Package Contents:**

- (2) **APFLIFT** – 7" x 10" Black Steel Forklift Mounting Plate
- (1) **SP10FLIFT** – Hardware Pack
- (1) **TAB005KL-B** – Universal Plastic Locking Tablet Holder with Key Lock
- (1) **SPTAB5KL** – Security Kit for TAB005KL-B
- (1) **SPRM38MM** – Metal 38mm Robust Mount Shaft
- (2) **APMAMP538MM** – 38mm Ball to 4-Hole AMPS Adapter

Each steel plate weighs just over 3 pounds and measures 10" x 7" x 1/8". Multiple size holes (4.9mm, 5.7mm, and 8.5mm) as well as hole patterns are pre-drilled into the plate, including 4-Hole AMPS, VESA 75, VESA 100, and Gamber-Johnson 2" x 4.09" for mounting multiple types of devices.

FLRM38TAB5 includes two metal mounting plates for placement on either side of the forklift guard. Use the included 3/8-16 x 4" Tap Bolts with washers and nuts to secure the plates at each corner.



**! Safety Precautions**

Do not install Arkon products over an air bag cover or within the air bag deployment zone. Arkon Resources, Inc. assumes no responsibility of liability for injury or death as a result of car crashes and/or air bag deployment.

Arkon Resources, Inc. is not responsible for any damages caused to your vehicle, device or yourself due to the installation or use of this mount.

**ARKON MOUNTS**