



**Package Contents:**

**HD007** – Multi-Angle Mounting Pedestal with 8" Adjustable Arm and C-Clamp Base

**SP-20MCAM** – 20mm Ball to 1/4"-20 Camera Screw Mount Adapter

**SP-1420-SCREW** – 1/4"-20 to GoPro® HERO® Mount Connection Adapter

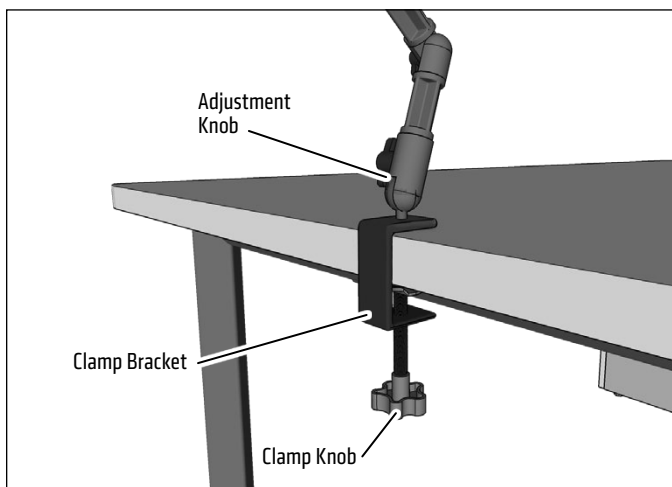
**NOTE:** C-Clamp Opening: 0" – 1 5/8" (0mm – 41mm).

**Device Compatibility:**

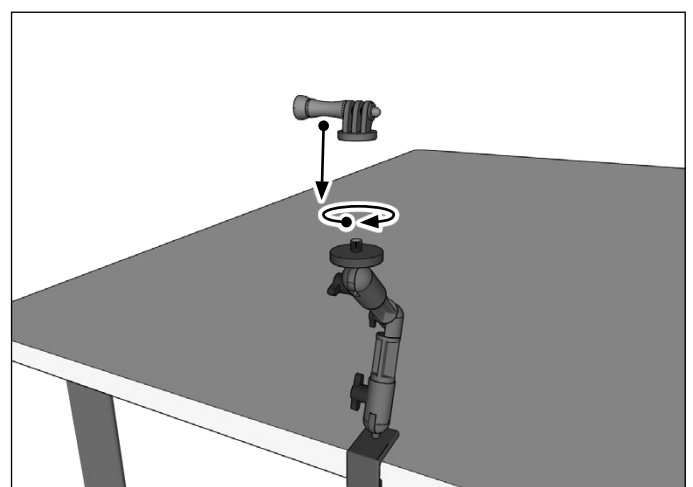
Compatible with GoPro® HERO® action cameras, as well as 1/4"-20 compatible cameras.

GoPro® and HERO® are trademarks or registered trademarks of Woodman Labs, Inc. in the United States and other countries. Arkon Resources, Inc. is not affiliated with Woodman Labs.

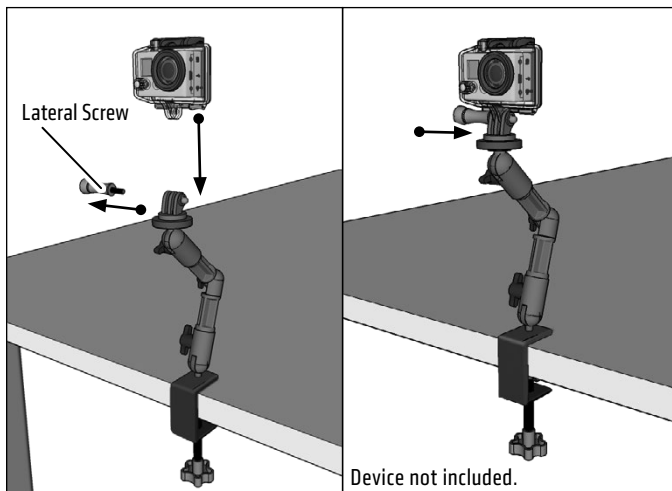
- 1 Attach pedestal clamp by turning the c-clamp knob; adjust the clamp bracket position if necessary with a Phillips screwdriver.



- 2 Screw the included 1/4"-20 to GoPro HERO Adapter onto the mounting bolt.



- 3 Unscrew lateral screw and insert GoPro HERO (sold separately) to the adapter. Re-insert lateral screw.



**! Safety Precautions**

Arkon is not responsible for any damages caused to your device or yourself due to the installation or use of this mount.

**ARKON**  
RESOURCES INC. *The Mobile Mounting Specialists™*