

Package Contents:

RM0862T – Heavy-Duty C-Clamp Mounting Pedestal with 4" Adjustable Arm

SP25MMCAM – 25mm Ball to 1/4"-20 Camera Head Adapter

SP-1420-SCREW – 1/4"-20 to GoPro® HERO® Mount Connection Adapter

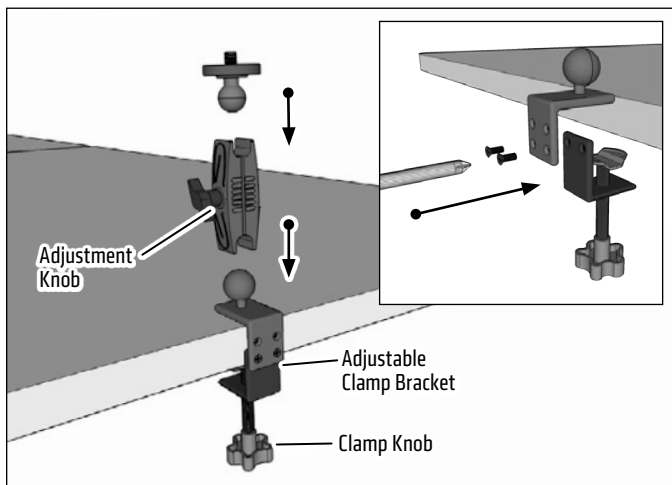
NOTE: C-Clamp Opening: .25" – 2.5" (6mm – 64mm).

Device Compatibility:

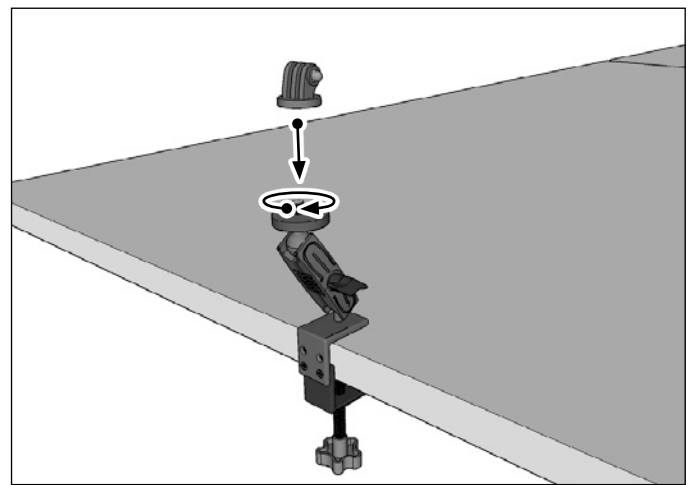
Compatible with GoPro® HERO® action cameras, as well as 1/4"-20 compatible cameras.

GoPro® and HERO® are trademarks or registered trademarks of Woodman Labs, Inc. in the United States and other countries. Arkon Resources, Inc. is not affiliated with Woodman Labs.

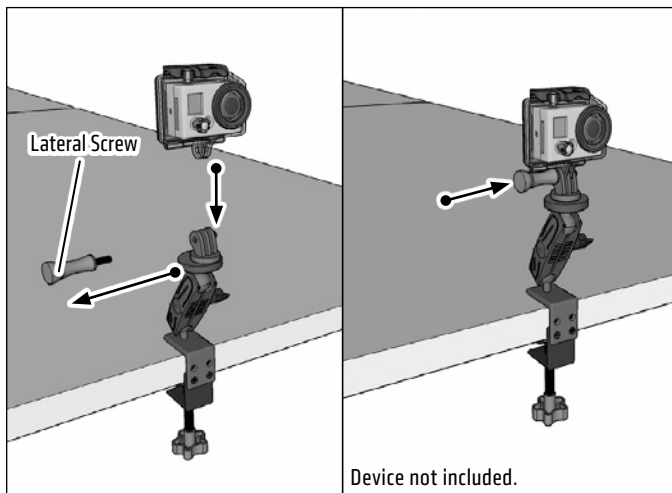
- 1 Attach pedestal clamp by turning the c-clamp knob; adjust the clamp bracket position if necessary with a Phillips screwdriver. To attach the camera head adapter, loosen the adjustment knob, insert the adapter, and retighten to desired position.



- 2 Screw the included 1/4"-20 to GoPro HERO Adapter onto the mounting bolt.



- 3 Unscrew lateral screw and insert GoPro HERO (sold separately) to the adapter. Re-insert lateral screw.



! Safety Precautions

Arkon is not responsible for any damages caused to your device or yourself due to the installation or use of this mount.

ARKON
RESOURCES INC.

The Mobile Mounting Specialists™