

Package Contents:

- (1) HD005 – 10" Drill-Base Pedestal with Adjustable Arm
- (1) AP20MMVESA – 20mm Ball to VESA 75/VESA 100 Adapter

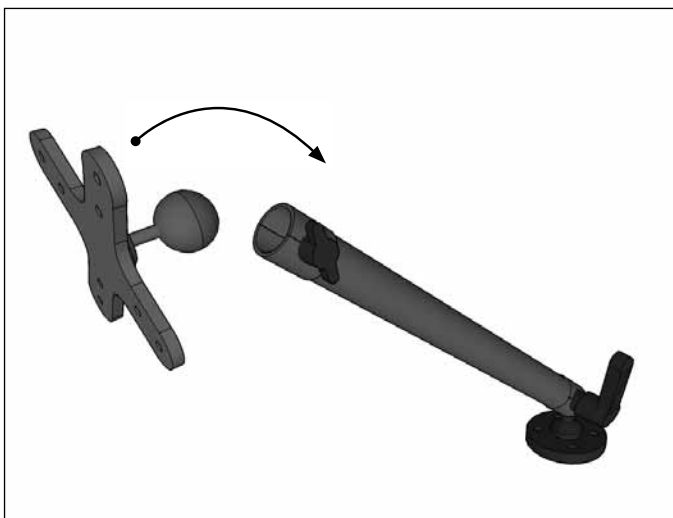


HD005

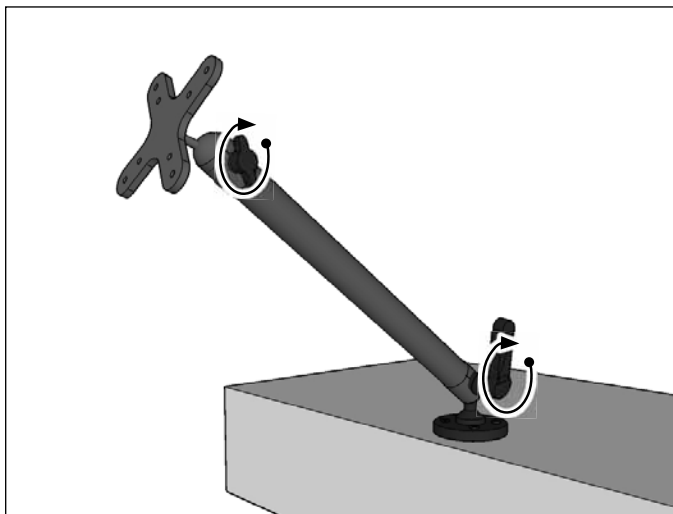


AP20MMVESA

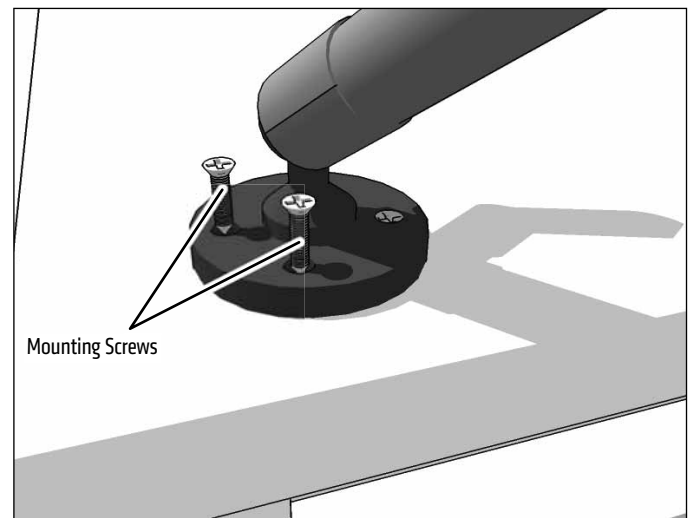
- 1** Remove the Dual-T head and attach AP20MMVESA adapter to the pedestal as shown by loosening knob. Tighten to secure.



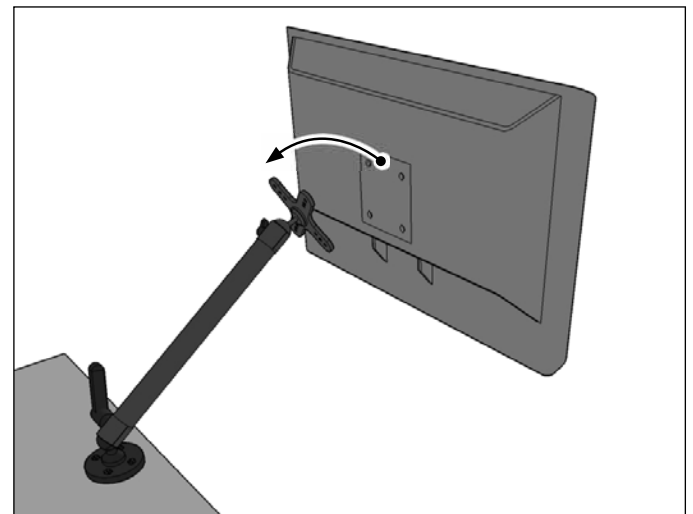
- 3** Loosen adjustment knobs to adjust angle of pedestal and position of VESA plate. Tighten to secure.



- 2** Attach the pedestal to the mounting surface through the AMPS base plate. Choose the screws that will work best on the chosen mounting surface. Use anchors if necessary.



- 4** Attach any VESA 75/VESA 100 compatible device or holder (not included, sold separately) to the VESA plate.



! Safety Precautions

Do not install Arkon products over an air bag cover or within the air bag deployment zone. Arkon Resources, Inc. assumes no responsibility of liability for injury or death as a result of car crashes and / or air bag deployment.

Arkon is not responsible for any damages caused to your car, your device, or yourself due to the installation or use of this pedestal mount.

ARKON
RESOURCES INC.

The Mobile Mounting Specialists™