



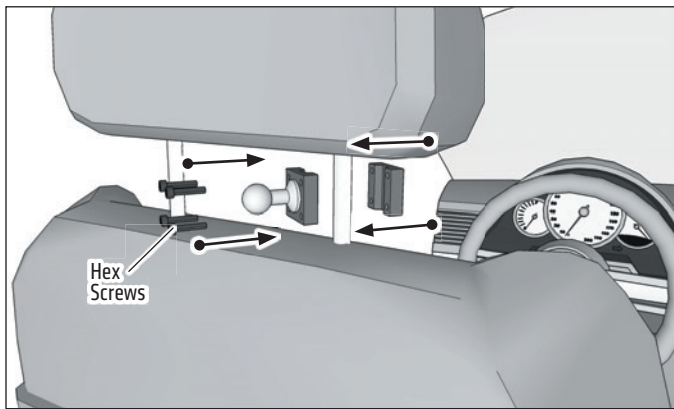
**Package Contents:**

- (1) HD006 – Heavy-Duty Multi-Angle AMPS Mounting Pedestal
- (1) HM004-B – Headrest Clamp with 20mm Ball
- (1) AP20MMAL – 4-Hole AMPS to 20mm Metal Ball Adapter

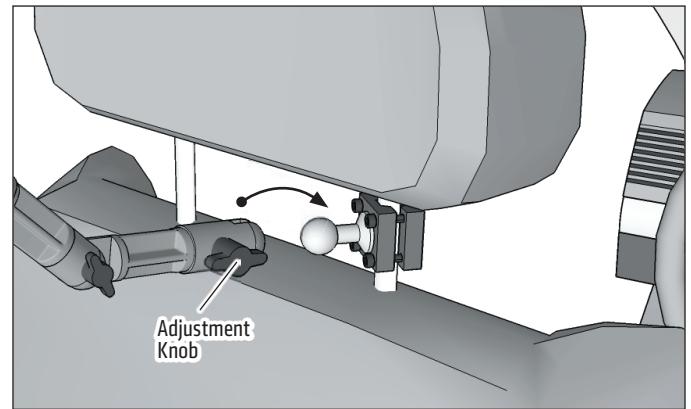
Clamp fits .31"-.63" (8mm-16mm) diameter posts.

**IMPORTANT:** Clamp may not fit all headrest types. Please consult your vehicle's user manual for compatibility.

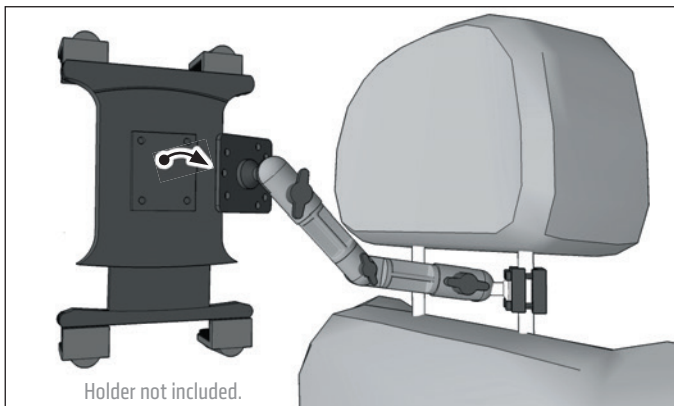
- 1 Place clamp on headrest and use the included hex key to securely tighten the clamp to screw the 4 hex screws to securely mount clamp onto post.



- 2 Loosen the adjustment knob on the pedestal, remove the drill base, and position the pedestal over the mount's ball. Retighten knob and set pedestal to desired angle.



- 3 Attach 4-Hole AMPS compatible holder or device (not included).



**⚠ Safety Precautions**  
Do not install Arkon products over an air bag cover or within the air bag deployment zone. Arkon Resources, Inc. assumes no responsibility of liability for injury or death as a result of car crashes and/or air bag deployment.

Arkon Resources, Inc. is not responsible for any damages caused to you, your passengers, or your vehicle due to the installation of this product.

**ARKON® MOUNTS**