



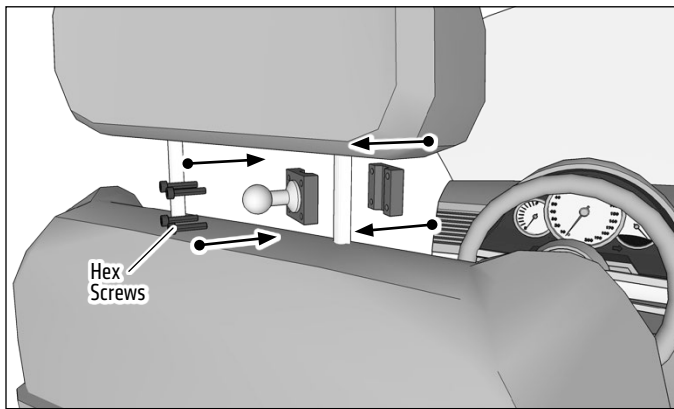
Package Contents:

- HD006** – Multi-Angle Aluminum Mounting Pedestal with 8" Adjustable Arm
- HM004-B** – Headrest Clamp with 20mm Ball
- RVXLWR** – RoadVise XL Phone and 7" Tablet Holder with Tightening Ring
- SP20MM17** – 20mm Ball to 17mm Ball Adapter

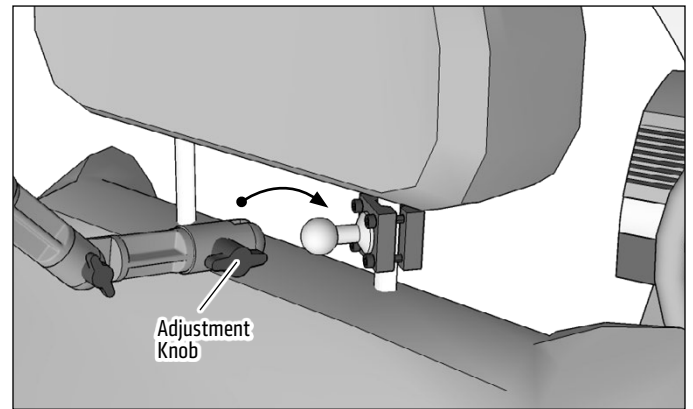
Clamp fits .31"-.63" (8mm-16mm) diameter posts.

IMPORTANT: Clamp may not fit all headrest types. Please consult your vehicle's user manual for compatibility.

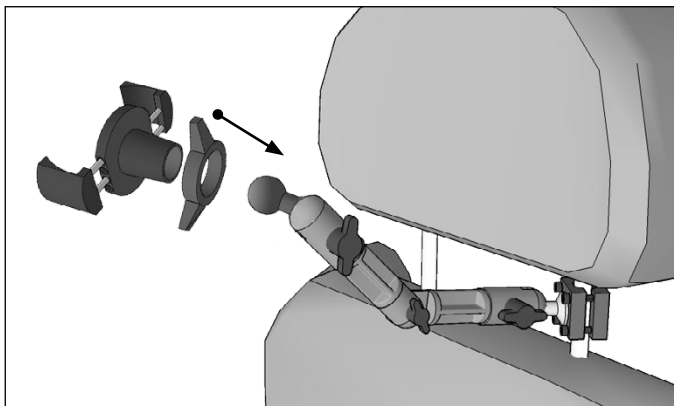
- 1** Place clamp on headrest and use the included hex key to securely tighten the clamp to screw the 4 hex screws to securely mount clamp onto post.



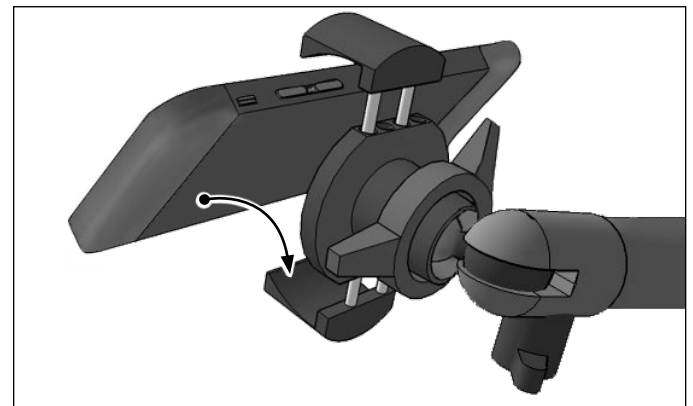
- 2** Loosen the adjustment knob on the pedestal, remove the drill base, and position the pedestal over the mount's ball. Retighten knob and set pedestal to desired angle.



- 3** Attach holder to pedestal and re-tighten ring.



- 4** Using two hands, insert device into the holder by pushing the device into one of the spring-loaded legs. Expand the other leg and fully insert device until it lays flat against the rubber pad.



Safety Precaution

Arkon Resources, Inc. is not responsible for any damages caused to your vehicle or yourself due to the installation of this product.



The Mobile Mounting Specialists™