



Package Contents:

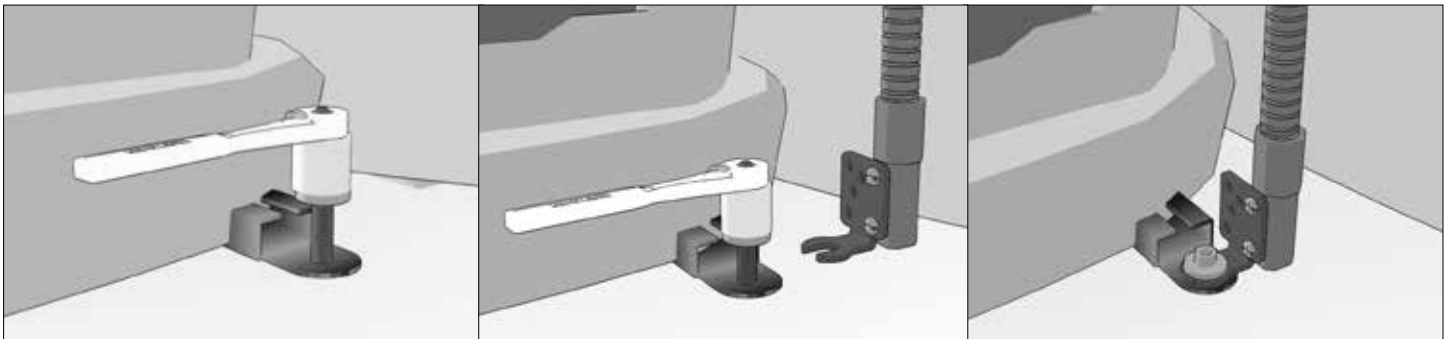
- (1) CM088-G17 – Flexible Aluminum Floor Mount
- (1) MG002 – Mobile Grip 2 Universal Smartphone Holder
- (1) SP-SB-RING – Swivel Adjustment Ring

Drilling into the dash, floor, or console may damage the vehicle. Use caution and consult a mobile install professional to avoid drilling into the gas tank, electrical system, or other highly sensitive vehicle components.

Arkon's Mobile Grip 2 Universal Smartphone Holder fits all smartphones up to 3.6" wide.

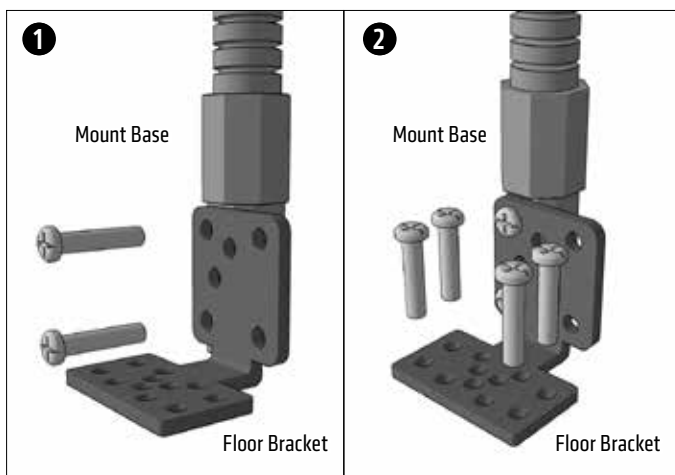
Passenger Seat Bolt Mounting – Option 1:

- 1** Use a socket wrench to loosen the passenger seat track bolt.
- 2** Insert the seat track bolt bracket.
- 3** Retighten the seat track bolt.



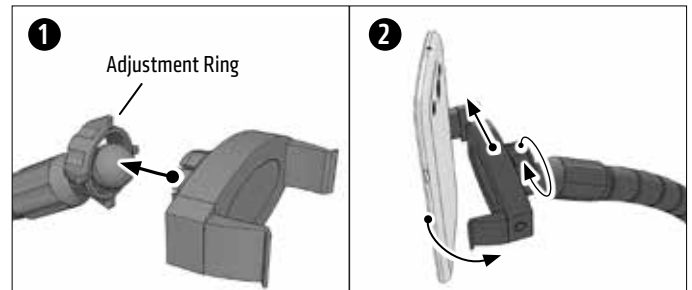
Floor Mounting – Option 2:

Screw the floor bracket to the mount. (Depending on your vehicle, you may need to change the orientation of the bracket.) Attach the floor / console bracket with screws.

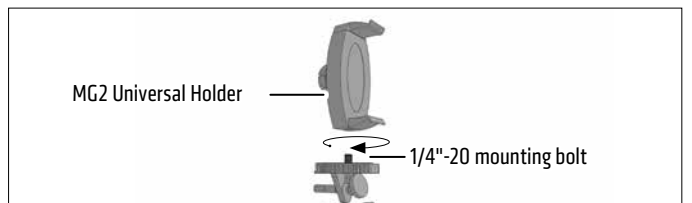


Using the Mobile Grip 2 Universal Smartphone Holder

Place adjustment ring over the pedestal ball and snap Mobile Grip 2 Universal Holder onto the pedestal. Insert device and tighten ring to set position.



OPTIONAL: Remove the rubber insert on the side of the Mobile Grip 2 Universal Holder to reveal a 1/4"-20 threaded camera mounting pattern for use on tripods (not included, sold separately).



Safety Precautions
Do not install Arkon products over an air bag cover or within the air bag deployment zone. Arkon Resources, Inc. assumes no responsibility of liability for injury or death as a result of car crashes and / or air bag deployment.

Arkon is not responsible for any damages caused to your vehicle, your device, or yourself due to the installation or use of this mount.

ARKON® MOUNTS