

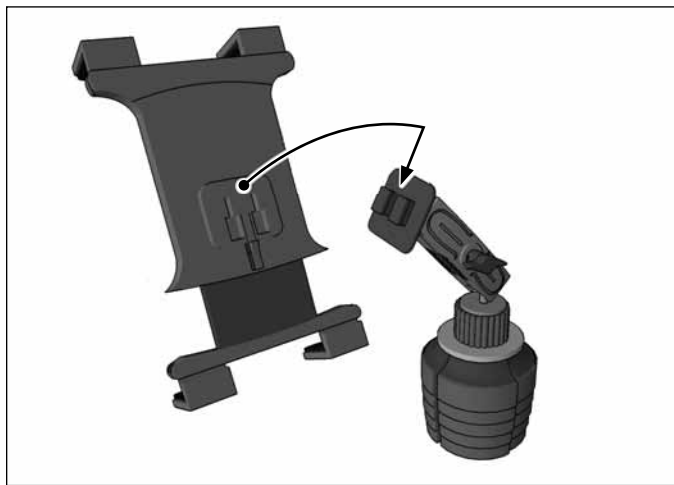


RM0232T-B

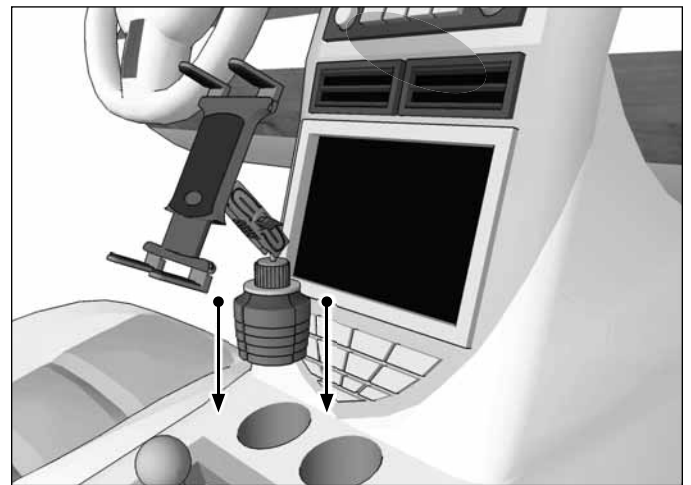
**Package Contents:**

(1) RM0232T-B – Heavy-Duty Car Cup Holder Mounting Pedestal

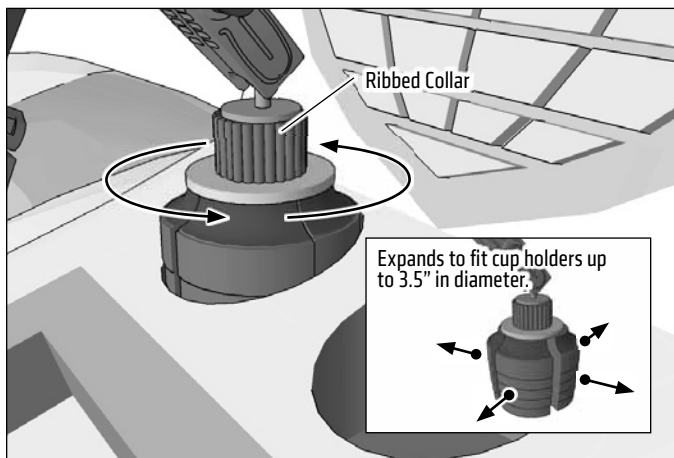
**1** Attach Dual-T compatible holder or adapter (not included).



**2** Insert mounting pedestal into car cup holder.



**3** Twist ribbed collar counterclockwise to expand base to fit cup holder. Expands to fit cup holders up to 3.5 inches in diameter.



**Safety Precautions**

Do not install Arkon products over an air bag cover or within the air bag deployment zone. Arkon Resources, Inc. assumes no responsibility of liability for injury or death as a result of car crashes and / or air bag deployment.

Arkon is not responsible for any damages caused to your vehicle, your device, or yourself due to the installation or use of this mounting pedestal.

**ARKON**  
RESOURCES INC. *The Mobile Mounting Specialists™*