

RM2XAMPS-MET-SH | Robust Metal AMPS Mount with Security Hardware

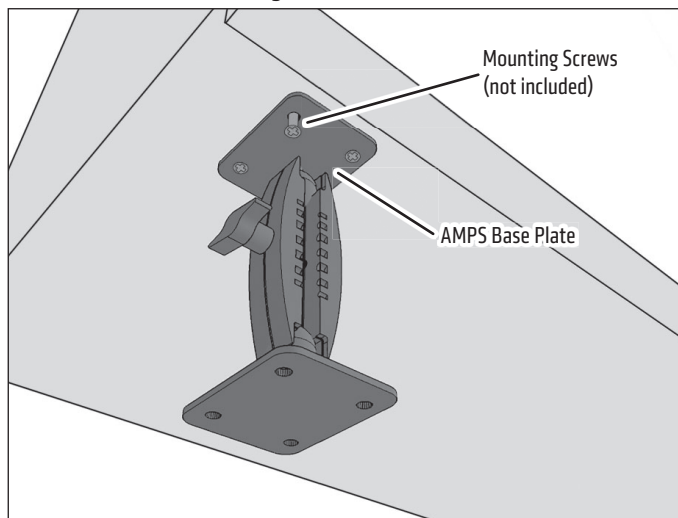


RM2XAMPS-MET-SH
Robust Metal AMPS Mount
with Security Hardware

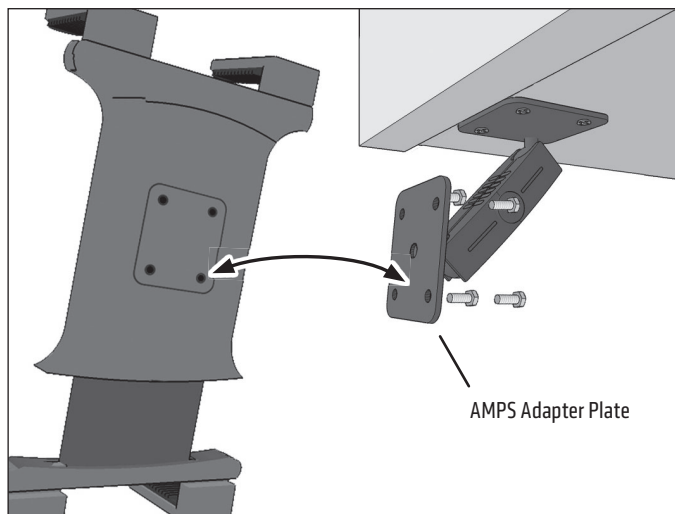
Package Contents:

RM2XAMPS-MET-SH – Robust Metal AMPS Mount with Security Hardware

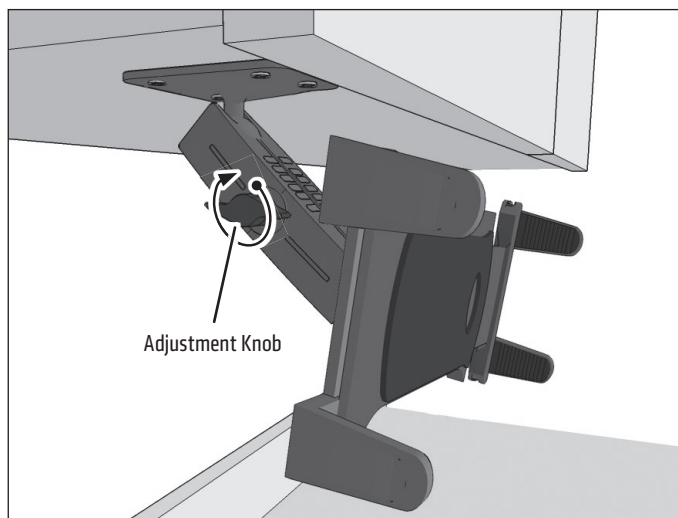
- 1 Attach the pedestal to the mounting surface through the AMPS base plate. Choose the screws (not included) that will work best on the chosen mounting surface.



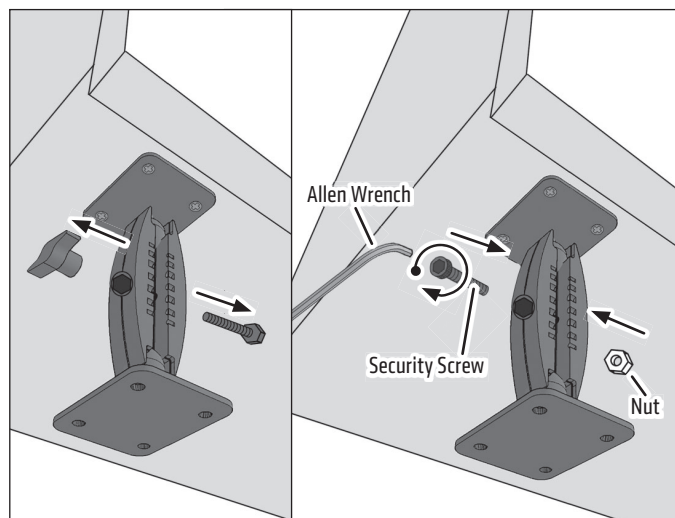
- 2 Attach any AMPS-compatible device, holder, or adapter (not included, sold separately) to the AMPS adapter plate.



- 3 To adjust pedestal position, loosen the adjustment knob and reposition. Retighten to set.



Optional: To install security hardware: 1) Remove the adjustment knob and bolt. 2) Insert security screw and attach nut. 3) Tighten with Allen wrench.



Safety Precautions

Do not install Arkon products over an air bag cover or within the air bag deployment zone. Arkon Resources, Inc. assumes no responsibility of liability for injury or death as a result of car crashes and / or air bag deployment.

Arkon is not responsible for any damages caused to your vehicle, your device, or yourself due to the installation or use of this mount.

ARKON MOUNTS

Discover other car mounts and chargers on our website.