



Package Contents:

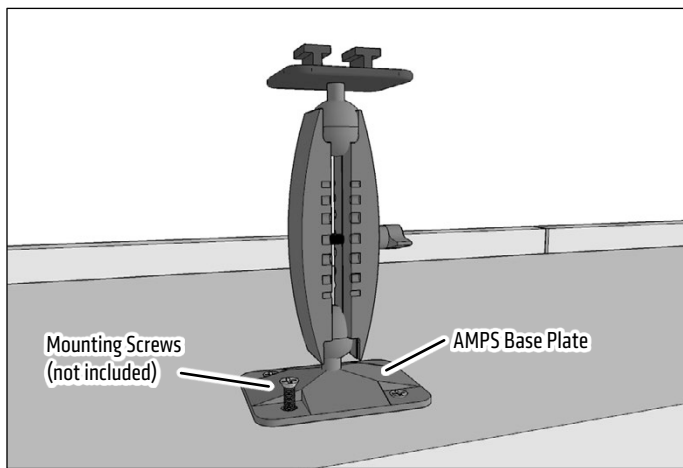
RMAMPS2T – Robust Mount Series AMPS Mount with Dual-T Head

SM060-2 - Slim-Grip® Ultra™ Universal Smartphone and Midsize Tablet Holder

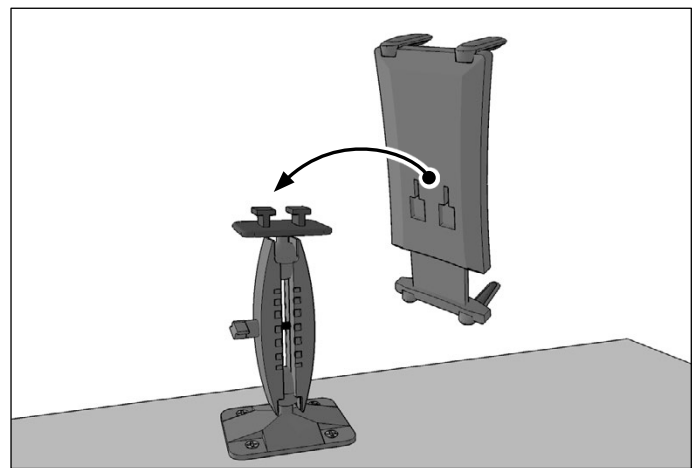
IMPORTANT:

Select the appropriate size support legs and install to holder. For large smartphones, midsize tablets, or devices with cases, use included long support legs.

- 1 Attach the pedestal to the mounting surface through the AMPS base plate. Choose the screws (not included) that will work best on the chosen mounting surface.



- 2 Attach Slim-Grip Ultra holder by sliding the Dual T-Tabs on the pedestal head into the Dual T-Slots of the holder.



- 3 Insert smartphone or midsize tablet by placing it on the two lower legs and pushing down on the spring-loaded bottom of the holder. Loosen adjustment knob to adjust position & angle. Retighten to set.

