

RM6AMPS2T-MET | Slim-Grip® Ultra™ Robust Metal Drill Base Mount



RM6AMPS2T-MET

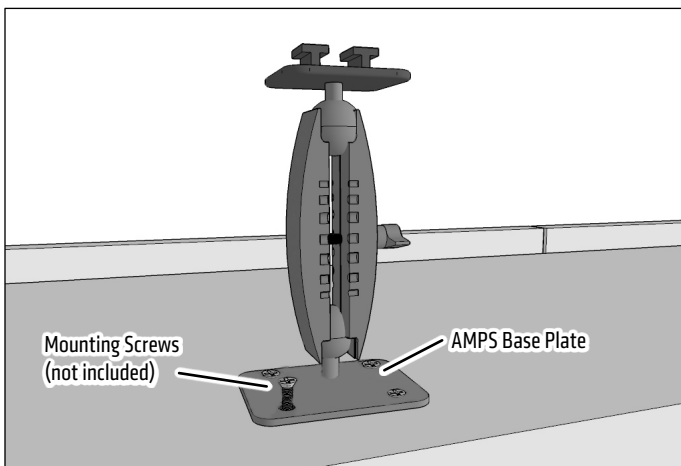
Package Contents:

RMAMPS2T-MET – Heavy-Duty 4-Hole Metal AMPS to Dual-T Mounting Pedestal
SM060-2 - Slim-Grip® Ultra™ Universal Smartphone and Midsize Tablet Holder

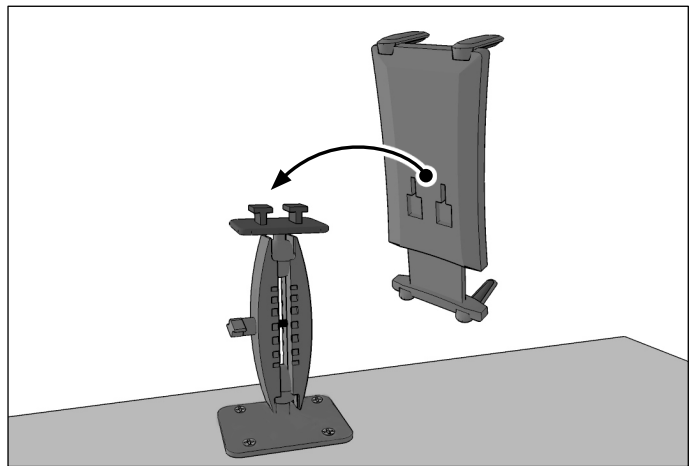
IMPORTANT:

Select the appropriate size support legs and install to holder. For large smartphones, midsize tablets, or devices with cases, use included long support legs.

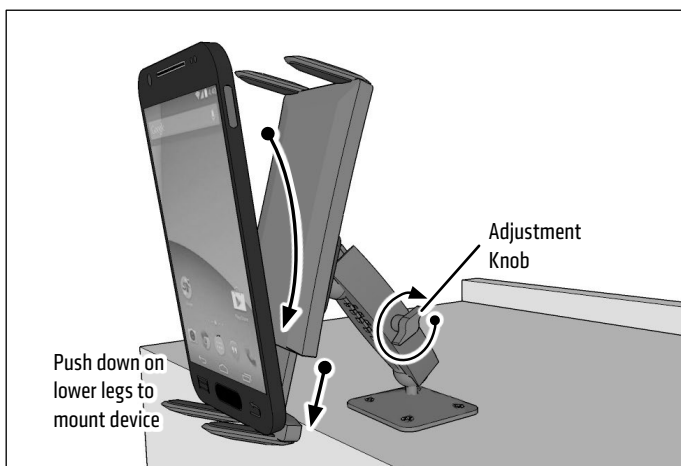
- 1 Attach the pedestal to the mounting surface through the AMPS base plate. Choose the screws (not included) that will work best on the chosen mounting surface.



- 2 Attach Slim-Grip Ultra holder by sliding the Dual T-Tabs on the pedestal head into the Dual T-Slots of the holder.



- 3 Insert smartphone or midsize tablet by placing it on the two lower legs and pushing down on the spring-loaded bottom of the holder. Loosen adjustment knob to adjust position & angle. Retighten to set.



Safety Precautions

Arkon is not responsible for any damages caused to your vehicle, your device, or yourself due to the installation or use of this mount. Do not install Arkon products over an air bag cover or within the air bag deployment zone. Arkon Resources, Inc. assumes no responsibility of liability for injury or death as a result of car crashes and/or air bag deployment.

ARKON MOUNTS