



Package Contents:

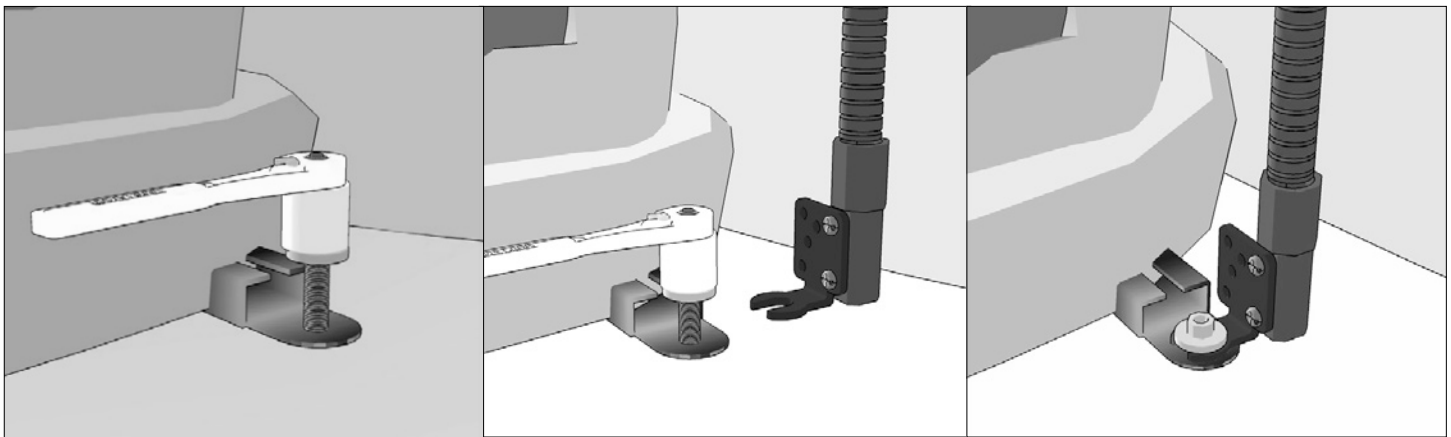
- (1) GN088-L22-SBH – Flexible Aluminum Seat Rail or Floor Mount
- (1) SM060-2 – Slim-Grip® Ultra™ Universal Smartphone and Midsize Tablet Holder

Holder includes 8 support legs (4 long and 4 short) for maximum versatility. For most large smartphones and midsize tablets, the best configuration is 2 short legs on the top of the holder and 2 long legs on the bottom of the holder.

Optional: Attach included metal conduit to console to minimize vibration. Screws not included.

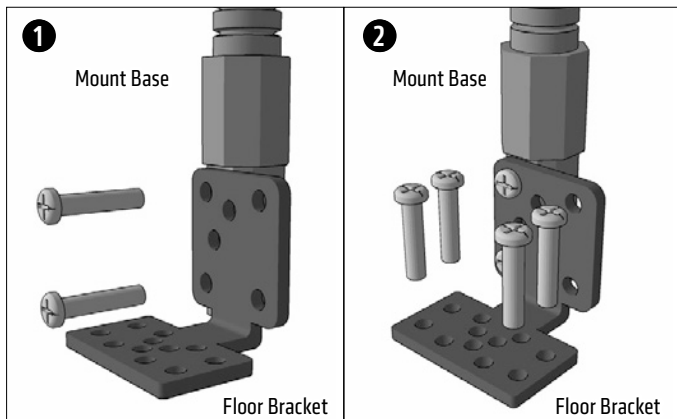
Passenger Seat Bolt Mounting – Option 1:

- 1 Use a socket wrench to loosen the passenger seat track bolt.
- 2 Insert the seat track bolt bracket.
- 3 Retighten the seat track bolt.



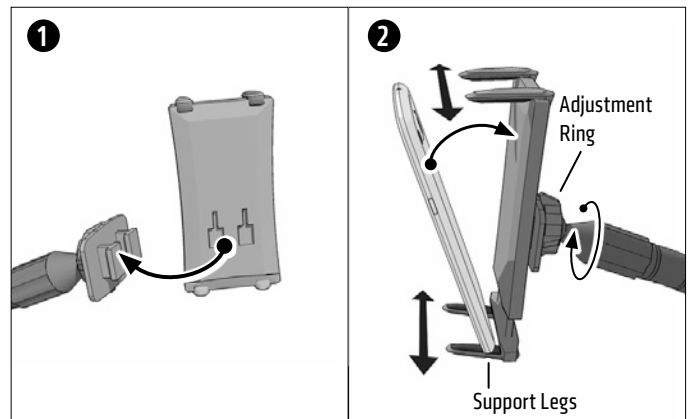
Floor Mounting – Option 2:

Screw the floor bracket to the mount. (Depending on your vehicle, you may need to change the orientation of the bracket.) Attach the floor / console bracket with screws.



Using the Slim Grip® Ultra™ Holder

Attach the holder to the pedestal by sliding the Dual T-Tabs into the Dual T-Slots of the pedestal. Insert device by pushing down on the spring loaded support legs. Loosen adjustment ring to change position. Adjust support legs if necessary.



! Safety Precautions
 Drilling into the dash, floor, or console may damage the vehicle. Use caution and consult a mobile install professional to avoid drilling into the gas tank, electrical system, or other highly sensitive vehicle components.
 Do not install Arkon products over an air bag cover or within the air bag deployment zone. Arkon Resources, Inc. assumes no responsibility of liability for injury or death as a result of car crashes and / or air bag deployment.
 Arkon is not responsible for any damages caused to your vehicle, your device, or yourself due to the installation or use of this mount.

ARKON
 RESOURCES INC. The Mobile Mounting Specialists™