



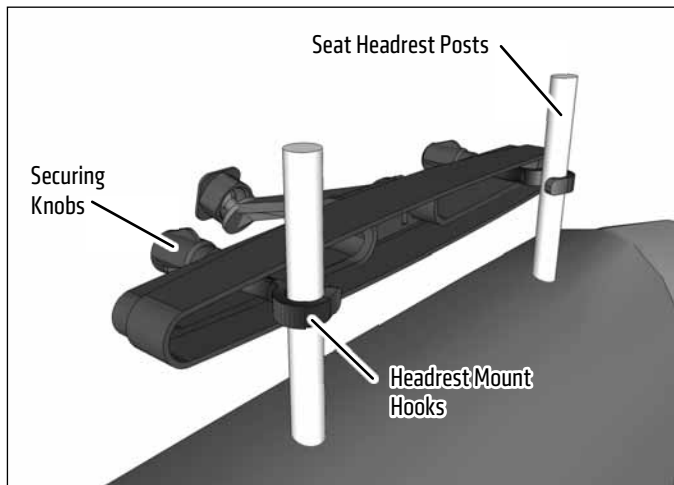
SM6HM7

Package Contents:

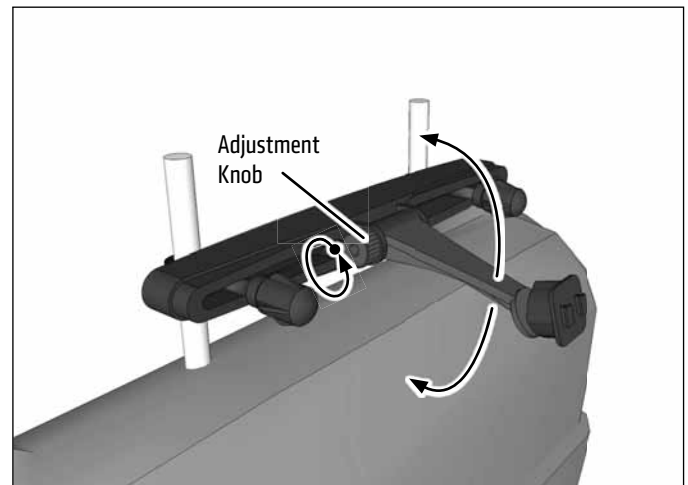
- (1) HM007-SBH – Car Headrest Mounting Pedestal with Adjustable Arm
- (1) SM060-2 – Slim-Grip® Ultra™ Universal Midsize Tablet and Smartphone Holder

Universal Midsize Tablet and Smartphone Holder includes 8 support legs (4 long and 4 short) that can be customized based on device size.

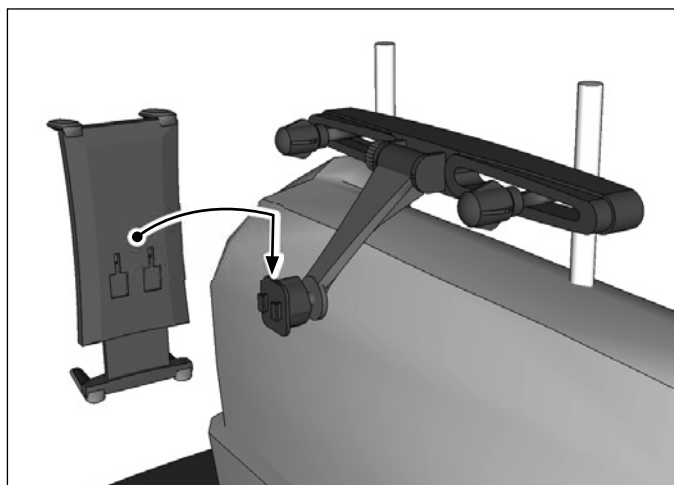
- 1 Raise the vehicle's headrest and place the headrest mount hooks around the headrest posts. Tighten the securing knobs.



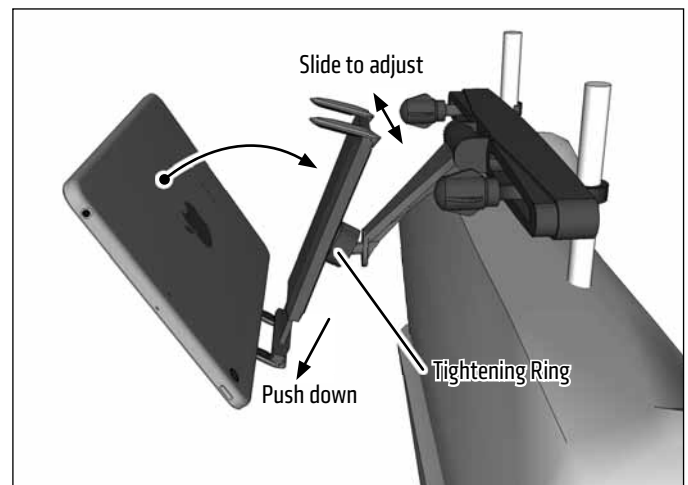
- 2 Loosen adjustment knob to reposition mount arm. Retighten to set.



- 3 Attach Slim-Grip Ultra holder by sliding the Dual T-Tabs on the pedestal head into the Dual T-Slots of the holder.



- 4 Insert iPad mini or midsize tablet by placing it on the 2 lower legs and pushing down on the spring-loaded bottom of the holder. Loosen tightening ring to adjust position and angle. Retighten to set.



! Safety Precautions

Do not install Arkon products over an air bag cover or within the air bag deployment zone. Arkon Resources, Inc. assumes no responsibility of liability for injury or death as a result of car crashes and / or air bag deployment.

Arkon is not responsible for any damages caused to your car, your device, or yourself due to the installation or use of this pedestal mount.

ARKON
RESOURCES INC. *The Mobile Mounting Specialists™*