

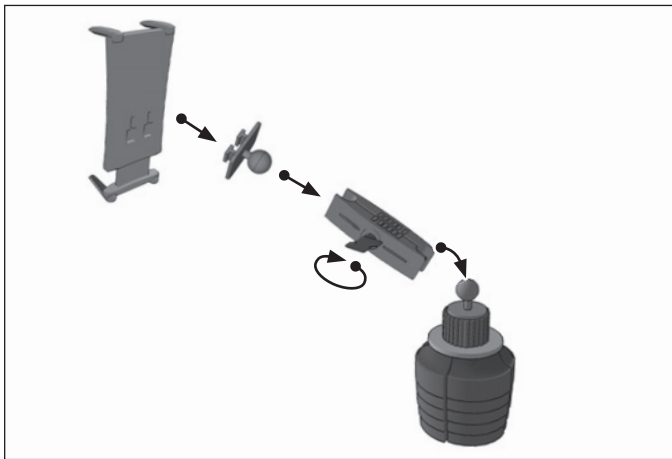


Package Contents:

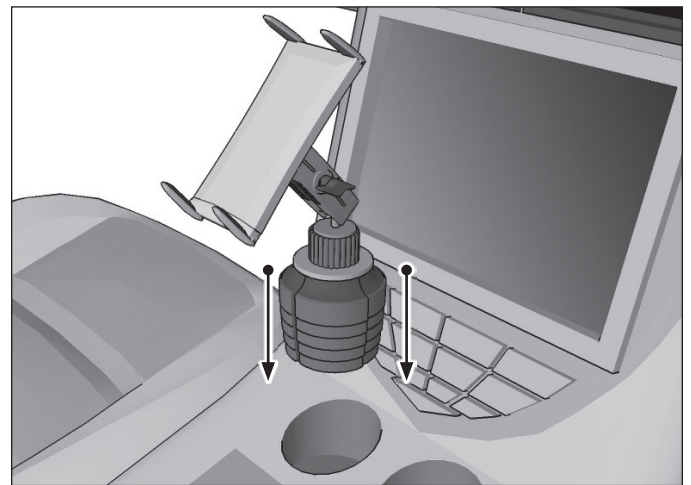
- (1) SM060-2 – Mega Grip Universal Phone Holder
- (1) SPRM023 – Robust Cup Holder Pedestal
- (1) SP-RM250 – Robust Mount Shaft
- (1) APRM2T – 25mm Ball to Dual T-Tab Adapter

COMPATIBILITY: Fits phones with cases up to 7.5" tall

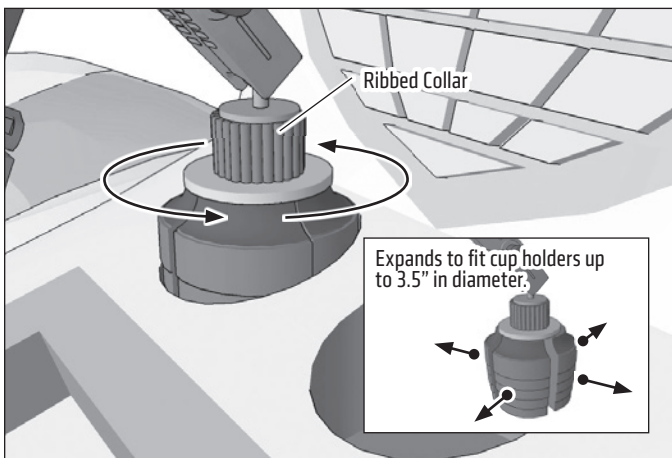
- 1 Attach Robust shaft to cup holder pedestal. Attach APRM2T to Robust shaft and turn knob to tighten. Attach SM060-2 to APRM2T.



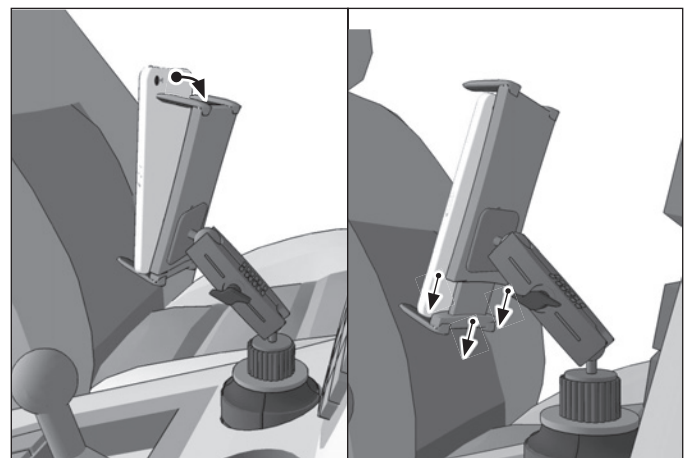
- 2 Insert mount into car cup holder.



- 3 Twist ribbed collar counterclockwise to expand base to fit cup holder. Expands to fit cup holders up to 3.5 inches in diameter.



- 4 Using two hands, lay down the device on the holder. Pull down on the middle-bottom of the holder to extend it until the device fits in.



Safety Precautions

Do not install Arkon products over an air bag cover or within the air bag deployment zone. Arkon Resources, Inc. assumes no responsibility for liability for injury or death as a result of car crashes and/or air bag deployment. Arkon is not responsible for any damages caused to your vehicle, your device, or yourself due to the installation or use of this mount.

ARKON MOUNTS