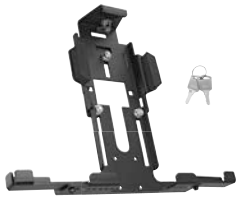


TAB4XLMETKL | Extra Large Universal Aluminum Locking Tablet Mount with 4-Hole Metal AMPS Base



TAB4XLKL-B



RMS2XAMPS-MET



SP-12M-4M7



SPRMLGKNOBNL

Package Contents:

- (1) **TAB4XLKL-B** – Extra Large Universal Locking Adjustable Aluminum Tablet Holder with Key Lock and Keys
- (1) **RMS2XAMPS-MET** – Robust Mount Series Shaft with 4-Hole AMPS Base
- (1) **SP-12M-4M7** – Screw Pack

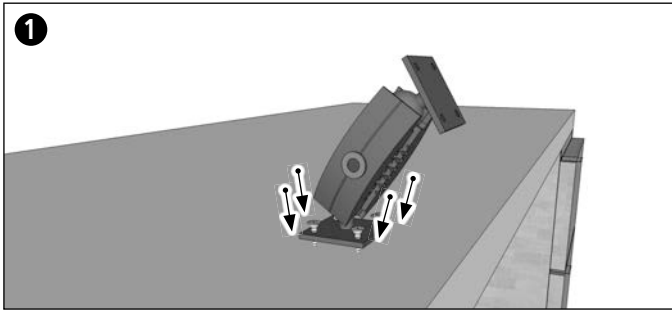
Optional (for converting locking tablet holder to NON-LOCKING option):

- (1) **SPRMLGKNOBNL** – Large Robust Shaft Knob (see page 2)

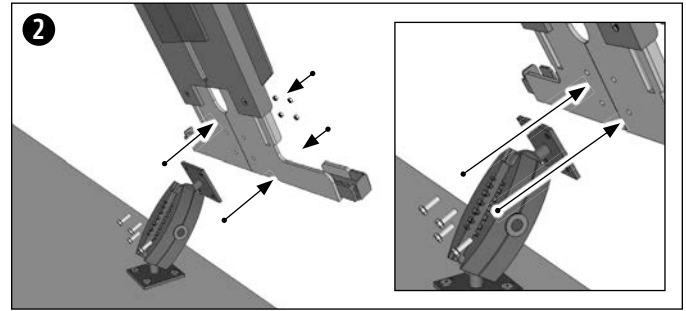
Device Compatibility: Fits 10"-12" screen size tablets

Tools Needed: 7mm and 10mm socket wrenches

Mounting Base & Holder

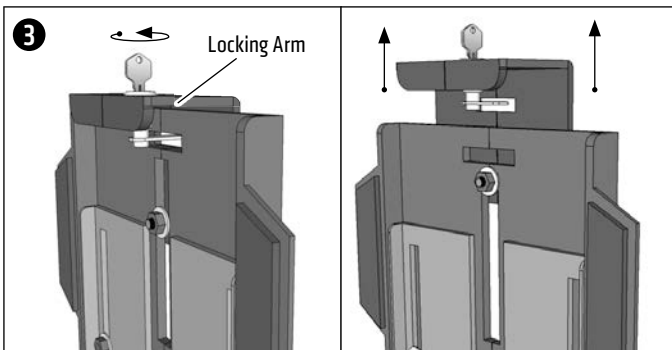


Using a screwdriver and/or drill, attach the metal AMPS mounting base to a flat surface with 4 screws (not included).

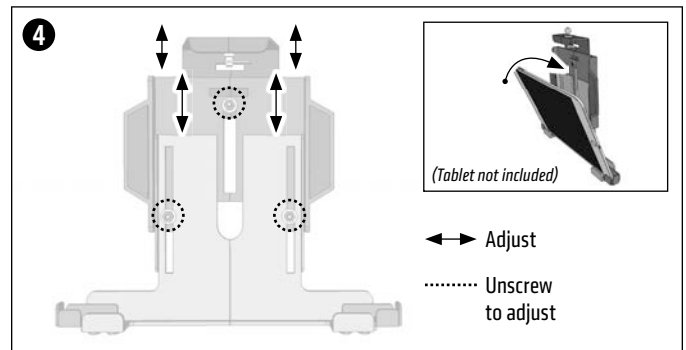


Connect the tablet holder to the mounting base (screws provided) using the 4-Hole AMPS mounting pattern. Loosen adjustment knob to reposition shaft, retighten to desired position.

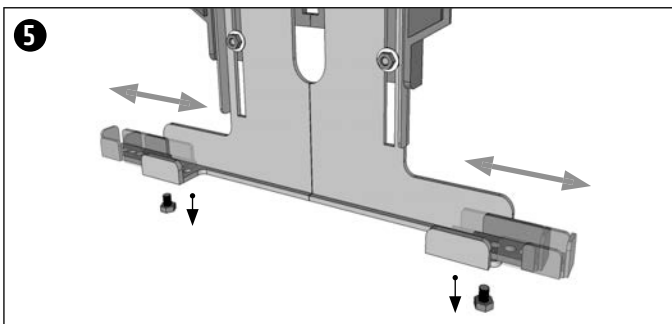
Inserting Tablet



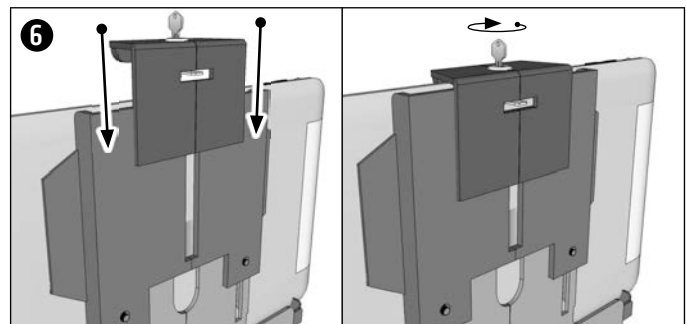
To size the tablet holder to your tablet, begin by unlocking the top of the tablet holder with the key and push up on the locking arm.



Unscrew the three screws/washers at the back/center of the holder to adjust the tablet holder's height to the tablet (not included). Retighten the screws/washers to secure.



Unscrew the screws at the bottom sides of the holder to adjust the tablet holder's width to the tablet. Tighten to secure.

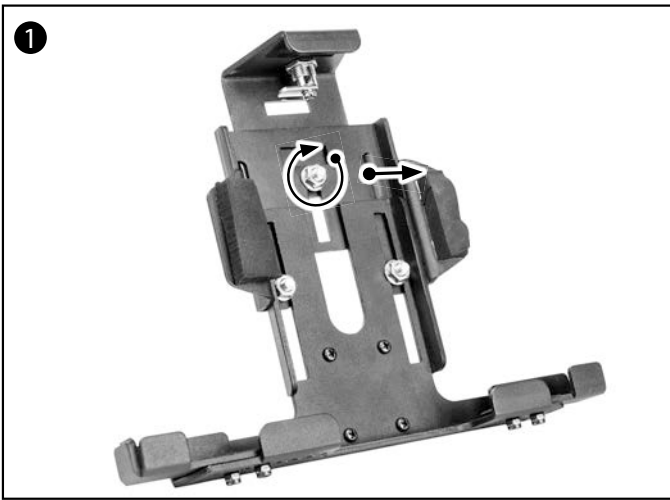


To lock down tablet, close down on the locking arm on the top of the tablet and lock with key (included).

⚠ Safety Precautions
Arkon is not responsible for any damages caused to your device or yourself due to the installation or use of this mount.

ARKON MOUNTS

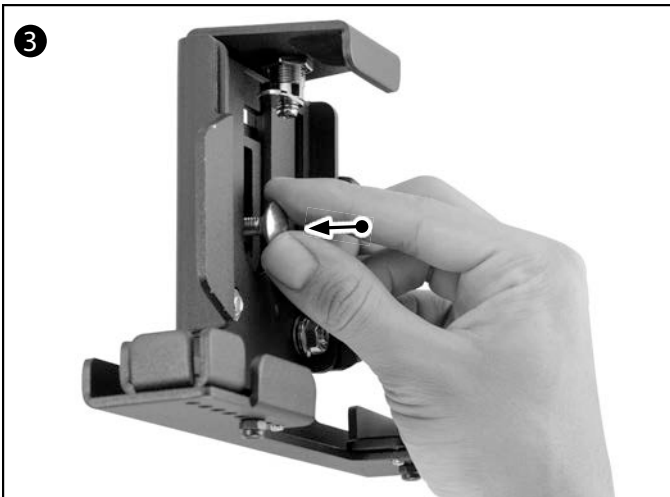
To convert the metal locking tablet holder to a NON-LOCKING option:



Remove nut from the center of the front of the holder.



Pull screw out from the back of the holder.



Re-insert screw to the front of the holder.



Attach knob to screw on the back of the holder.



Safety Precautions

Arkon is not responsible for any damages caused to your device or yourself due to the installation or use of this mount.

ARKON MOUNTS

Discover other car mounts and chargers on our website.