



TAB801



HD001

**Package Contents:**

TAB801 - Slim-Grip® Universal Tablet Holder

HD001 - 22" Heavy-Duty Aluminum Floor Mount

**Includes:**

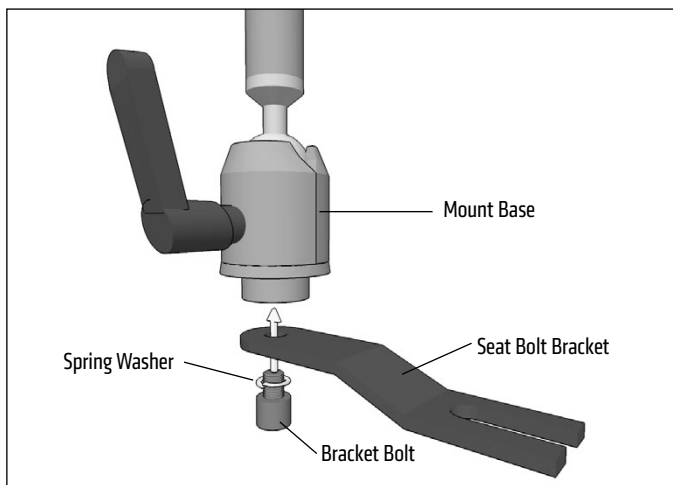
- (3) Seat Bolt Brackets
- (1) Bracket Bolt
- (1) Spring Washer
- (1) Hex key

The Slim-Grip Universal Tablet Holder fits all tablets with 8.9" - 18.4" screen size. It includes 4 short, 2 medium, and 4 long support legs. Select a combination of 4 support legs in conjunction for use with the spring-loaded holder to achieve the perfect fit for your tablet.

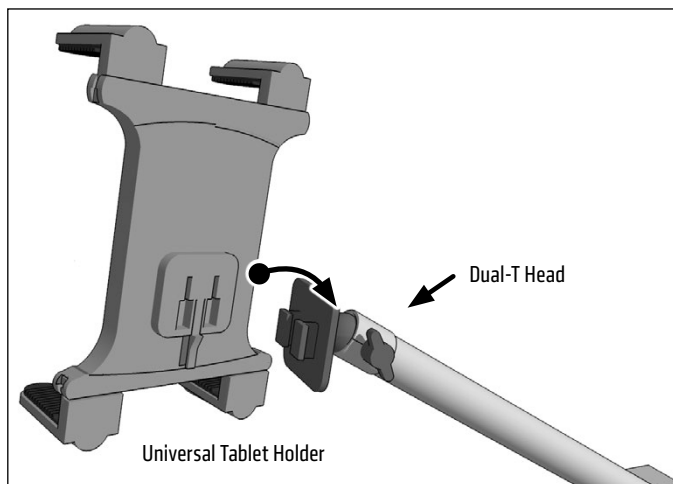


**IMPORTANT:** Do not place mount in or near an air bag deployment zone or where it will obstruct view of the road.

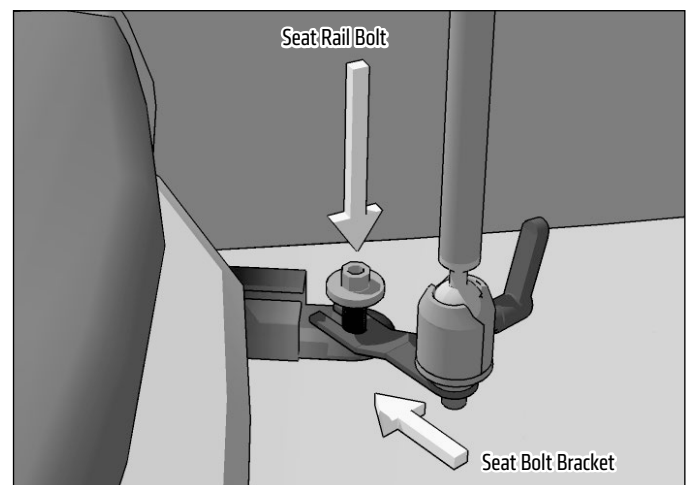
- 1 Attach the appropriate seat bolt bracket to the mount with the included bracket bolt and hex key. Be sure to position the spring washer between the bolt and bracket as shown.



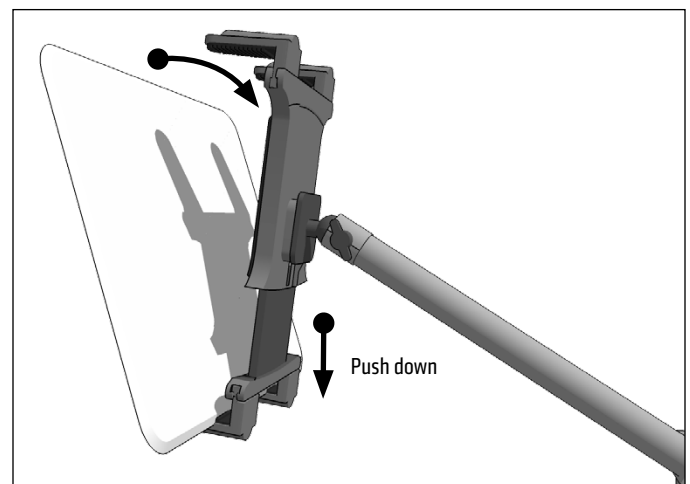
- 3 Attach a holder to the mount by inserting the Dual T-Tabs into the holder's Dual T-Slots and sliding the holder down to lock.



- 2 With a socket wrench, loosen the passenger seat rail bolt, insert the seat rail bolt bracket, and retighten the seat rail bolt.



- 4 Insert tablet into holder by pushing down on the bottom spring-loaded support legs with the tablet. Slide the top of the tablet under the top support legs until it fits snugly in the holder.



**IMPORTANT:** Install the appropriate size support legs on the holder that will work for your device.



**Safety Precautions**

Do not install Arkon products over an air bag cover or within the air bag deployment zone. Arkon Resources, Inc. assumes no responsibility of liability for injury or death as a result of car crashes and / or air bag deployment.

Arkon is not responsible for any damages caused to your vehicle, your device, or yourself due to the installation or use of this mount.



The Mobile Mounting Specialists™