



Package Contents:

HD006 – Heavy-Duty Multi-Angle Drill-Base Mounting Pedestal with 8" Arm

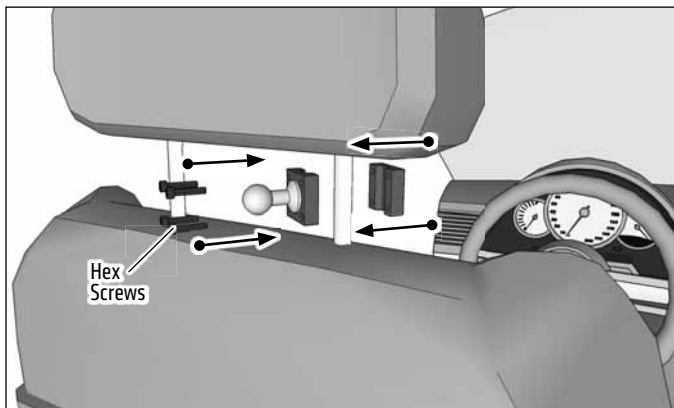
TAB003 – Universal Tablet Push-Button Holder

HM004-B – Headrest Clamp with 20mm Ball

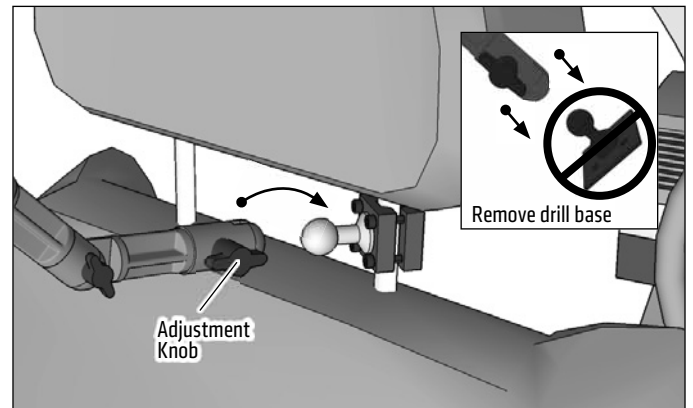
Clamp fits .31"-.63" (8mm-16mm) diameter posts.

IMPORTANT: Clamp may not fit all headrest types. Please consult your vehicle's user manual for compatibility.

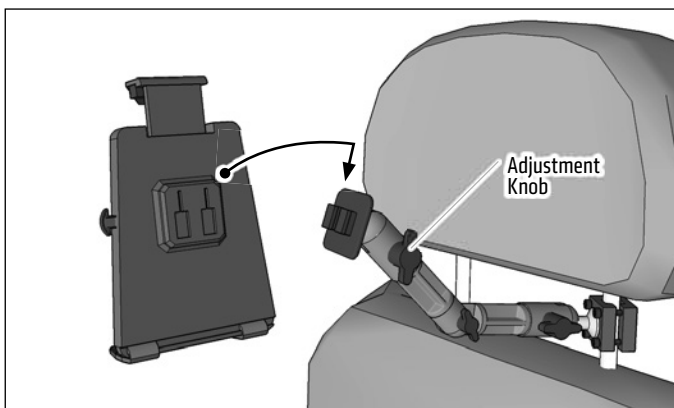
- 1 Place clamp on headrest and use the included hex key to securely tighten the 4 hex screws to securely mount clamp onto post.



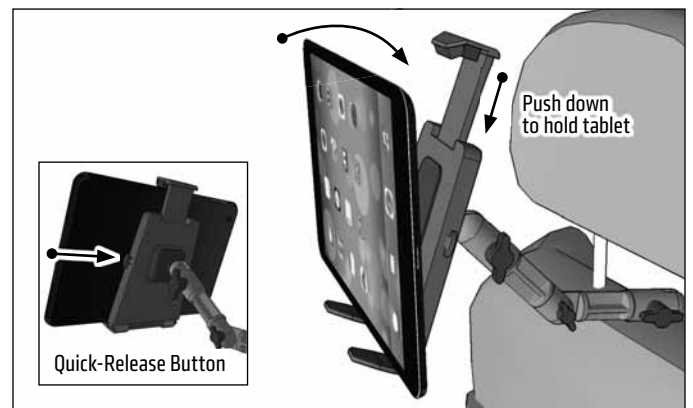
- 2 Loosen the adjustment knob on the pedestal, remove the drill base, and position the pedestal over the mount's ball. Retighten knob and set pedestal to desired angle.



- 3 Attach the holder to the mount by inserting the Dual T-Tabs into the holder's Dual T-Slots and pushing down to lock. Loosen adjustment knob to set desired position of holder and retighten.



- 4 Insert tablet into holder; push down the spring-loaded leg to secure tablet. Remove tablet by pressing the quick-release button.



Safety Precaution

Arkon Resources, Inc. is not responsible for any damages caused to your vehicle or yourself due to the installation of this product.



The Mobile Mounting Specialists™