

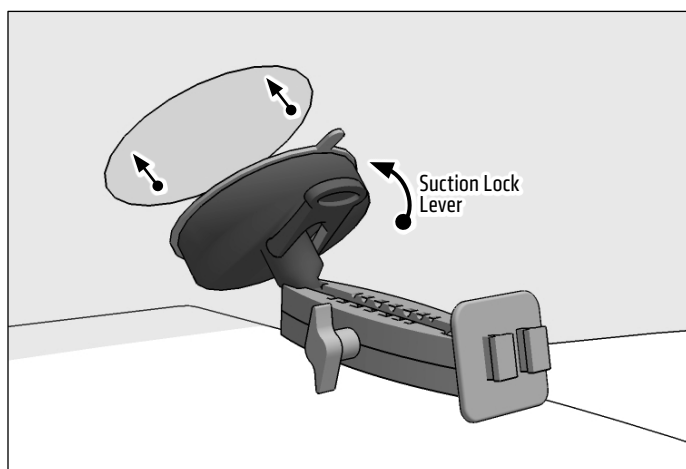


Package Contents:

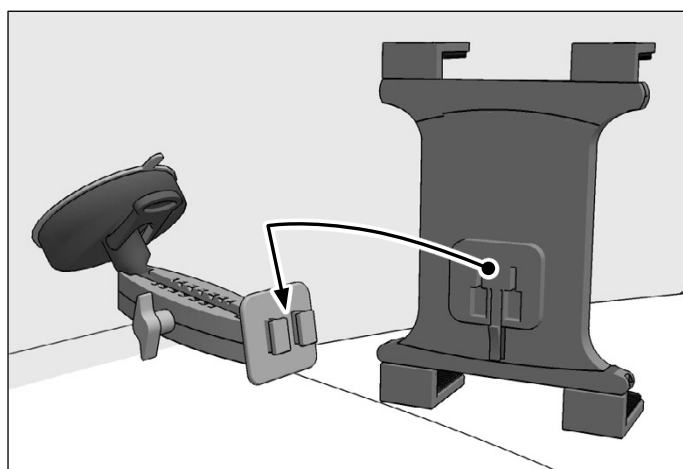
- (1) RM079 – Sticky Suction Windshield or Dash Mounting Pedestal
- (1) TAB001 – Slim-Grip® Universal Tablet Holder
- (1) APO20 – Optional 90mm Adhesive Dash Mounting Disk

IMPORTANT: The Slim-Grip Universal Tablet Holder fits all tablets with 8.9" - 18.4" screen size. It includes 4 short, 2 medium, and 4 long support legs. Select a combination of 4 support legs in conjunction for use with the spring-loaded holder to achieve the perfect fit for your tablet.

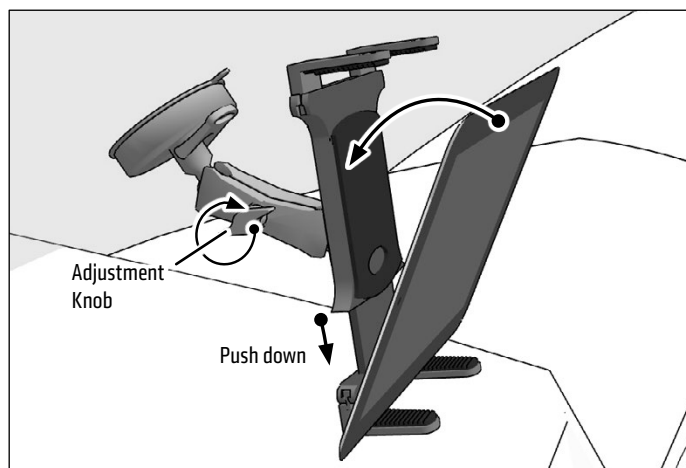
1 Attach pedestal to windshield, engage suction lock lever to secure.



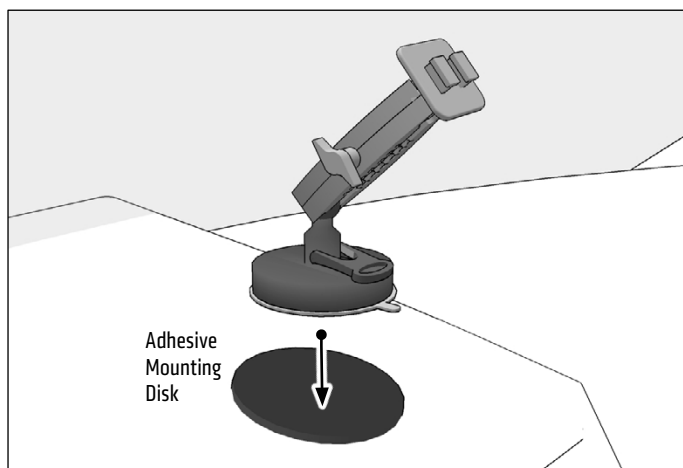
2 Attach Slim-Grip tablet holder by sliding the Dual T-Tabs of the pedestal head into the Dual T-Slots of the holder.



3 Insert tablet by placing it on the two lower legs and pushing down on the spring-loaded bottom of the holder. Loosen adjustment knob to adjust rotation, position, or angle. Retighten to set.



OPTIONAL: For dashboard mounting, use included adhesive disk. Clean surface before applying and let dashboard disk adhesive cure for 24 hours before use.



! Safety Precautions

Do not install Arkon products over an air bag cover or within the air bag deployment zone. Arkon Resources, Inc. assumes no responsibility of liability for injury or death as a result of car crashes and/or air bag deployment.

Arkon is not responsible for any damages caused to your vehicle, your device, or yourself due to the installation or use of this mount.

ARKON
RESOURCES INC.

The Mobile Mounting Specialists™