



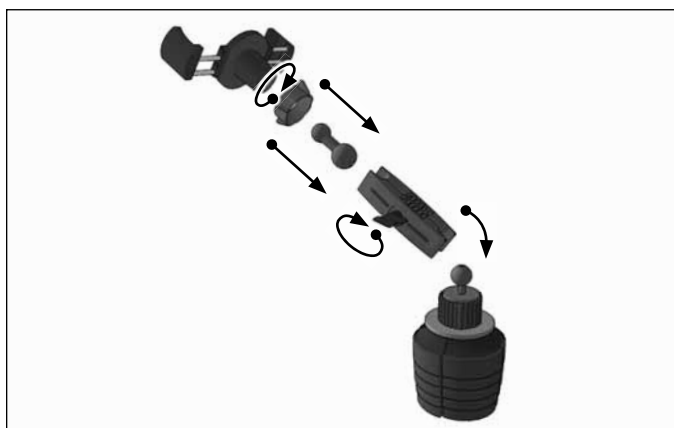
Package Contents:

- SPRM023** – Robust Car Cup Holder Mount Pedestal
- RVXLWR-B** – RoadVise XL Phone and Midsize Tablet Holder with Tightening Ring
- SP-RM200** – Robust Mount Shaft
- SP25MM17** – 25mm Ball to 17mm Ball Adapter

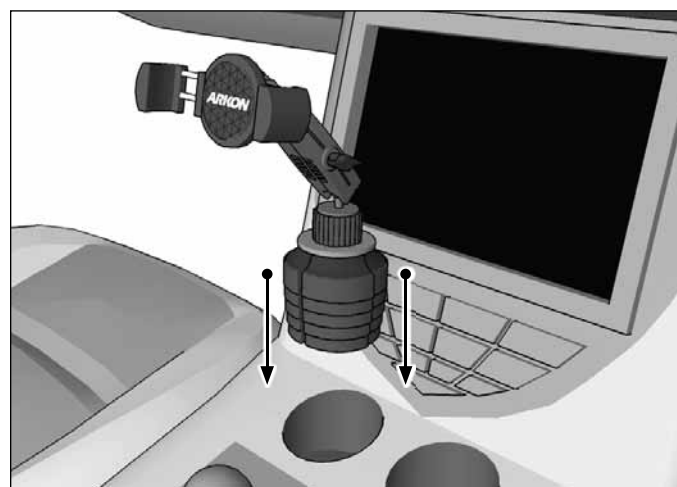
IMPORTANT: Do not overtighten ring. Overtightening ring may damage threads on holder and also make it difficult to adjust holder.

COMPATIBILITY: Fits phones, 7-8" screen size tablets, and handheld gaming devices measuring 2.5" up to 5" wide.

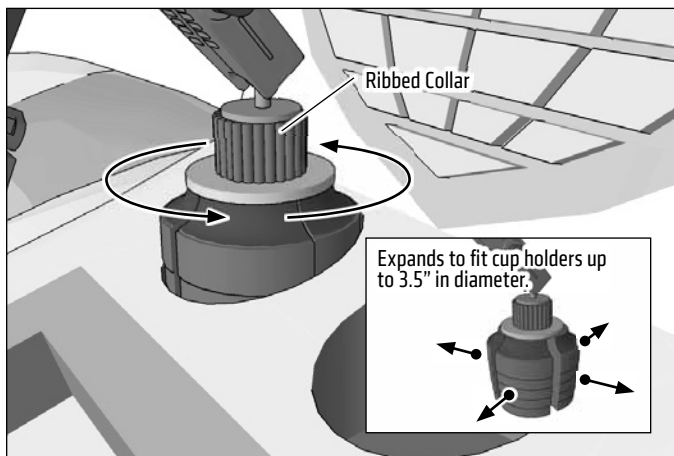
- 1** Attach Robust shaft and SP25MM17 adapter to cup holder pedestal by unscrewing knob on pedestal to loosen. Screw knob to tighten. Attach ring and RoadVise XL holder to pedestal, and tighten ring to secure.



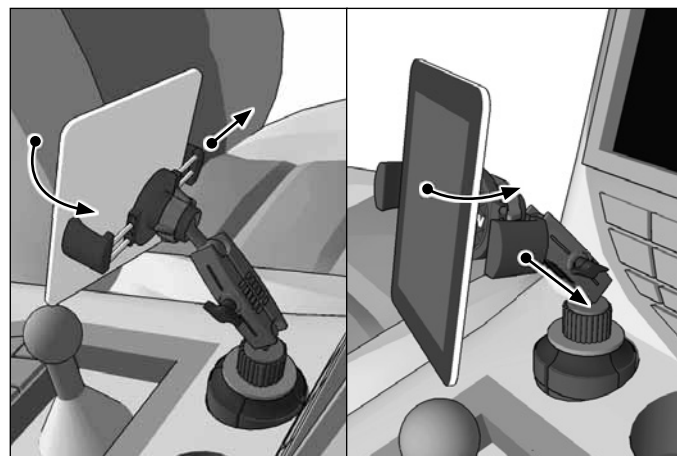
- 2** Insert mount into car cup holder.



- 3** Twist ribbed collar counterclockwise to expand base to fit cup holder. Expands to fit cup holders up to 3.5 inches in diameter.



- 4** Using two hands, insert the device into the holder by pushing device sideways into one of the spring-loaded legs. Expand the other leg and fully insert device until it lays flat against the gray rubber pad.



! Safety Precautions
 Do not install Arkon products over an air bag cover or within the air bag deployment zone. Arkon Resources, Inc. assumes no responsibility for liability for injury or death as a result of car crashes and/or air bag deployment. Arkon is not responsible for any damages caused to your vehicle, your device, or yourself due to the installation or use of this mount.

ARKON
 RESOURCES INC. *The Mobile Mounting Specialists™*