



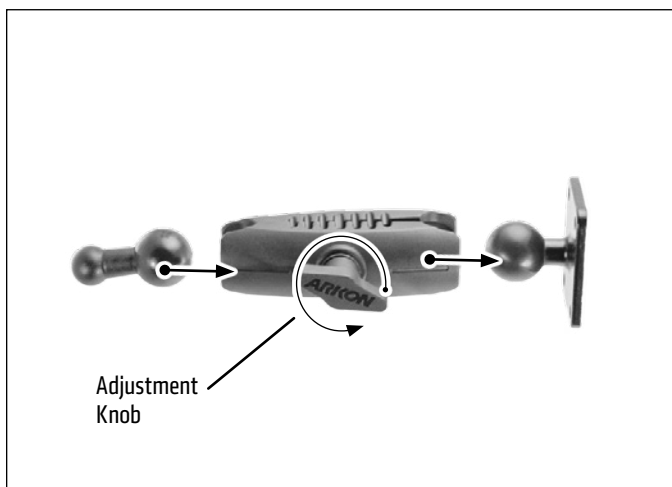
Package Contents:

- (1) SP-RM250 – Robust Mount Series Shaft
- (1) RVXLWR – RoadVise® XL Universal Phone Holder with Tightening Ring
- (1) APMAMPS25MM – 4-Hole Metal AMPS to 25mm (1 inch) Ball Adapter
- (1) SP25MM17 – 25mm (1 inch) Ball to 17mm Ball Adapter

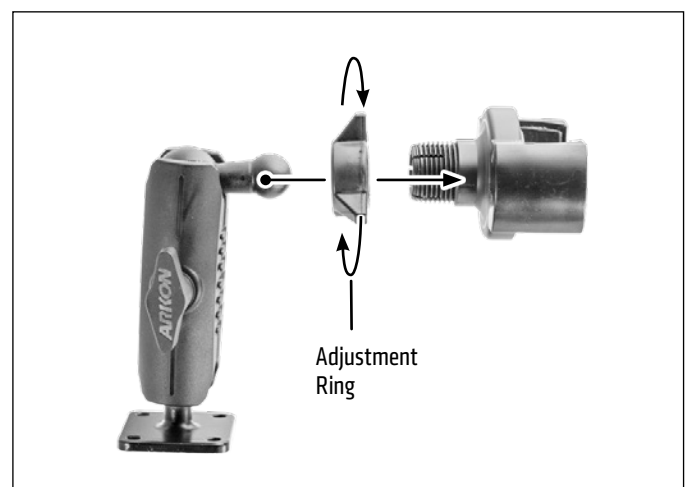
Compatibility: Fits smartphones and midsize tablets with cases weighing up to 2 pounds and measuring up to 5" wide.

IMPORTANT: Do not overtighten ring. Overtightening ring may damage threads on holder and also make it difficult to adjust holder.

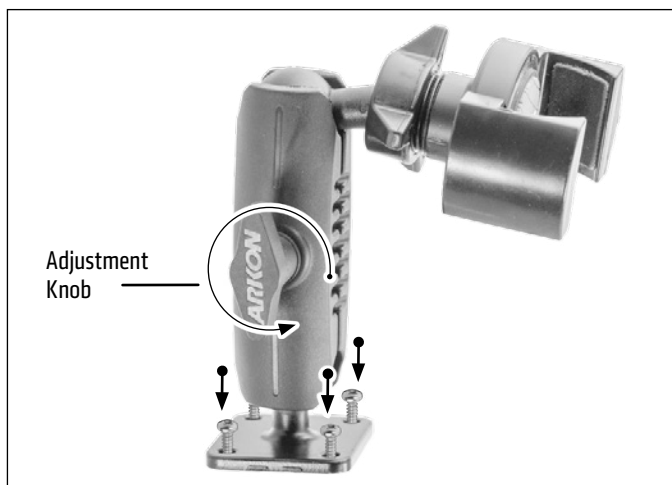
- 1 Attach Robust shaft and adapter to metal AMPS by unscrewing knob on pedestal to loosen. Screw knob to tighten.



- 2 Place adjustment ring over 17mm ball adapter. Snap the RoadVise XL holder onto the pedestal and tighten adjustment ring to set position.



- 3 Use appropriate screws (not included) to secure mount to mounting surface. Use anchors if necessary. Loosen adjustment knob, set to desired position, and retighten to set.



- 2 Using two hands, insert device (not included) into the holder by pushing the device into one of the spring-loaded legs. Expand the other leg and fully insert device until it lays flat against the gray rubber pad.



⚠ Safety Precautions
 Arkon is not responsible for any damages caused to your vehicle, your device, or yourself due to the installation or use of this mount. Do not install Arkon products over an air bag cover or within the air bag deployment zone. Arkon Resources, Inc. assumes no responsibility of liability for injury or death as a result of car crashes and/or air bag deployment.

ARKON® MOUNTS