



Model:

**45070**

Product Type:

**7 PIECE WINDSHIELD MOLDING  
REMOVAL TOOL SET**



## WARNING



Study, understand and follow all instructions provided with this product. Read these instructions carefully before installing, operating, servicing or repairing this tool. Keep these instructions in a safe accessible place.

### INTENDED USE OF THE TOOL

This 45070 set is intended to remove front and rear sealed wind screens for a variety of vehicle applications. Do not use this tool outside of the designed intent. Never modify the tool for any other purpose or use.



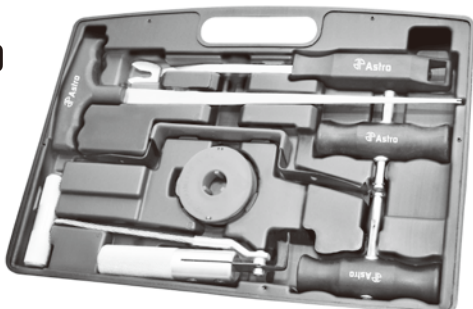
## WARNING



### Caution: To help prevent personal injury.

- Normal use of this product is likely to expose the user to dust and/or microscopic particles containing chemicals known to the State of California to cause cancer, birth defects or other reproductive harm. Always wear appropriate safety equipment and clothing when using this product. Study, understand and follow all instructions provided with this product. Failure to read and follow all warnings and operating instructions may result in damages and serious injury or death.
- Always wear ANSI approved goggles when using this product. (Users and Bystanders).
- Never use this tool for any application other than for which it was designed.
- Only use accessories designed for this tool.
- Never alter or modify this tool in any way.
- Improper operation and/or maintenance of the tool, modification of the tool, or use of the tool with accessories not designed for it could result in serious injury or death.
- Always select the correct accessories of the correct size and design for the job that you are attempting to perform.
- Always work in a clean, safe, well-lit, organized and adequately equipped area.
- Do not begin repairs without assurance that vehicle is in secure position, and will not move during repair.

### 7 PIECE WINDSHIELD MOLDING REMOVAL TOOL SET



MADE IN CHINA



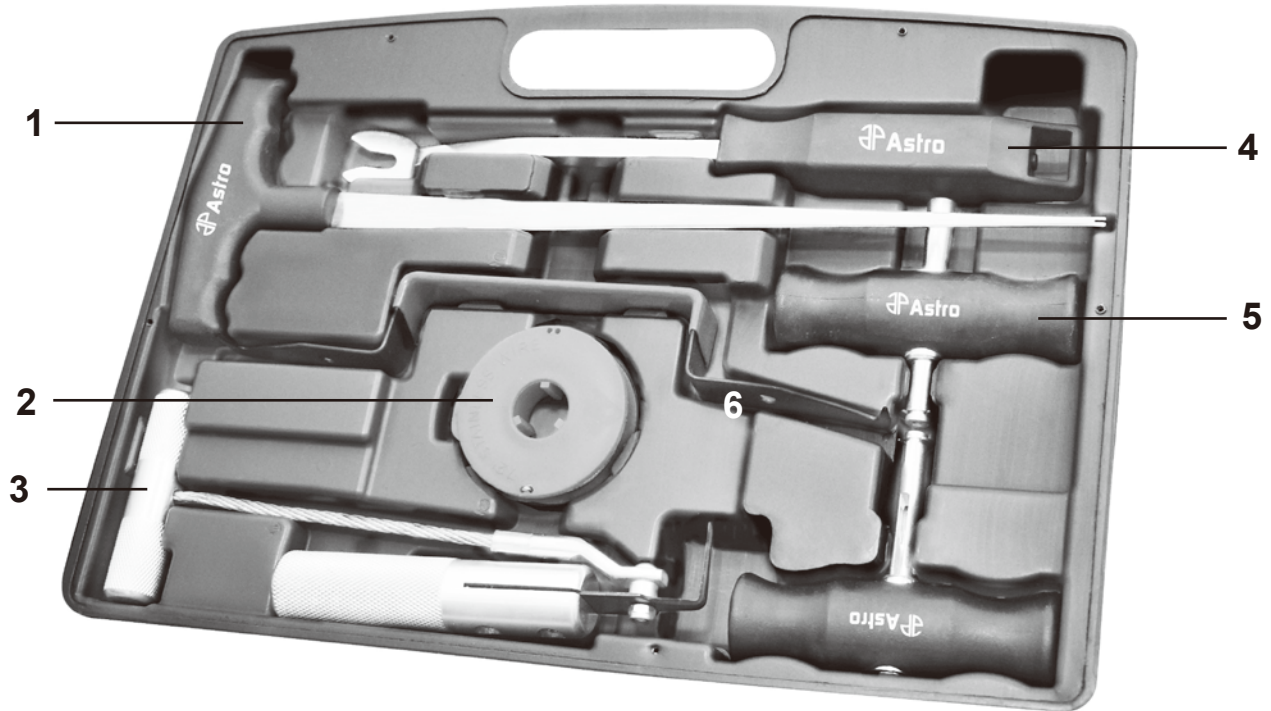
**Astro Pneumatic  
Tool Company**

### PRODUCT INFORMATION:

- Includes all of the specialized tools required to safely and quickly remove windshields for a large variety of vehicles
- Trim pad remover and molding release tool prevent damage to windshield surroundings
- Rubber gasket knife, wire feeder tool, cutting wire and two handles for proper hand removal of sealed glass
- Set includes:
  - 1pc. Rubber gasket knife
  - 1pc. Cutting wire
  - 2pc. Handles
  - 1pc. Wire feeder tool
  - 1pc. Trim pad remover
  - 1pc. Molding release tool

**DO NOT DISCARD – GIVE TO USER**

**PARTS BREAKDOWN**



**PARTS LIST**

<i>Index</i>	<i>Part No.</i>	<i>Description</i>	<i>Qty</i>
1	45070-01	Wire Feeder Tool	1
2	45070-02	Cutting Wire	1
3	45070-03	Rubber Gasket Knife	1
4	45070-04	Trim Pad Remover	1
5	45070-05	Handles	2
6	45070-06	Molding Release Tool	1