



Model:

78835

Product Type:

EXHAUST PIPE STRETCHER KIT



WARNING



Study, understand and follow all instructions provided with this product. Read these instructions carefully before installing, operating, servicing or repairing this tool. Keep these instructions in a safe accessible place.

INTENDED USE OF THE TOOL

The Exhaust Pipe Stretcher Kit is for expanding mild steel exhaust pipes to make perfect exhaust seals with smaller diameter piping. Do not use this tool outside of the designed intent. Never modify the tool for any other purpose or use.



WARNING



Caution: To help prevent personal injury

- Use of this product can expose you to chemicals including ethylene glycol, gasoline vapors and engine exhaust, which are known to the State of California to cause cancer, birth defects, or reproductive harm. For more information, visit www.P65Warnings.ca.gov. Always wear ANSI approved safety equipment, safety glasses and clothing when using this product. Study, understand, and follow all instructions provided with this product. Failure to read and follow all warnings and operating instructions may result in damages and serious injury or death.
- Always wear ANSI approved goggles when using this product. (Users and By standers).
- Never use this tool for any application other than for which it was designed.
- Only use accessories designed for this tool.
- Never alter or modify this tool in any way.
- Improper operation and/or maintenance of the tool, modification of the tool, or use of the tool with accessories not designed for it could result in serious injury or death.
- Always select the correct accessories of the correct size and design for the job that you are attempting to perform.
- Always work in a clean, safe, well-lit, organized and adequately equipped area.
- Do not begin repairs without assurance that vehicle is in secure position, and will not move during repair.

BEFORE USE

When unpacking, check the parts diagram and part number listing on page 2 to make sure all parts are included. If any parts are missing or damaged, please call your distributor.

DO NOT DISCARD – GIVE TO USER



Astro Pneumatic Tool Company

LIMITED WARRANTY

- Astro Pneumatic Tool Co. warrants our products to the original user against defective material or workmanship for a period of 1 year (except where noted on our price schedule) from the date of 1st use. Astro reserves the right to determine whether the product failed because of defective material, workmanship or other causes and to charge back for missing parts. Astro Pneumatic Tool Co., at its discretion, will repair products covered under this warranty free of charge. The distributor should direct the original user to return the product (with the exceptions listed below) with the distributor's name, address, adequate proof of date of purchase or a copy of warranty card, and a short note explaining the problem. **Failures caused by accident, alteration, or misuse are not covered by this warranty.**
- If one part of this product fails, please do not return the entire product. Astro will replace free of charge component parts of this product that fail within 1 year of first use by the original user. Items included in this category include but are not limited to kits, hand tool kits and any other product where there are multiple items or components that make up the unit. Please contact the phone number below in order to obtain the replacement components covered under warranty.
- Astro Pneumatic Tool Co. or its authorized service representatives must perform all warranty repairs. Any repair to the product by unauthorized service representatives voids this warranty. The rights under this warranty are limited to the original user and may not be transferred to subsequent owners.
- This warranty is in lieu of all other warranties, expressed or implied, including warranties of merchantability and fitness for a particular purpose. Some states do not allow the exclusion of limitations of incidental or consequential damages so the above limitations may not apply to you.

PRODUCT INFORMATION

Instructions:

- 1) Choose the appropriate expanding collet or collet set to use with your pipe diameter. Depending on your pipe sizes, you may be using a steel collet or a steel and aluminum collet set.
Note: The #5 steel collet can be used alone or with the #1 & #4 collet sets. The #8 steel collet can be used alone or with the #2 & #3 collet sets. The #6 collet must be used with the #2 collet set.
- 2) Lubricate threads. Ensure threads remain lubricated or the tool may become damaged.
- 3) Brace or clamp your pipe and position the expander in the end, tightening up the expander tool to remain in place. Drive with a 28 mm impact socket and impact wrench and continue impacting until the pipe clearly starts expanding.
- 4) Loosen the expander part way, rotate 45 degrees to even out the roundness of the expansion and operate again until meeting your final desired inside diameter.

Specification:

- Drive size of 28MM

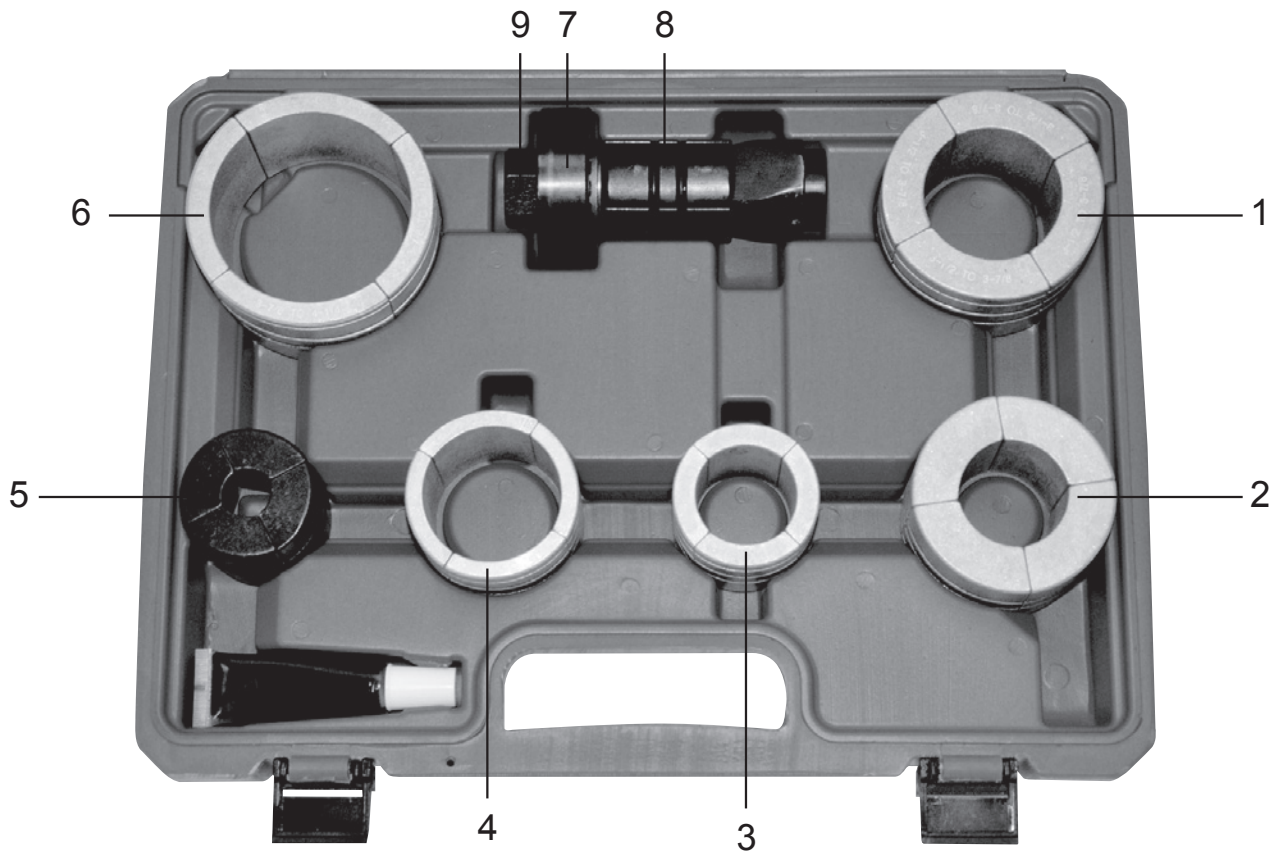
WARNING: NOT FOR USE ON STAINLESS EXHAUST



Model:

78835

Product Type:

EXHAUST PIPE STRETCHER KIT**PARTS BREAKDOWN****Parts List**

Index	Part No.	Description	Qty
1	78835-01	3 1/2" - 3 7/8" Collet	1
2	78835-02	3 1/8" - 3 1/2" Collet	1
3	78835-03	2 3/8" - 2 3/4" Collet	1
4	78835-04	2 3/4" - 3 1/8" Collet	1
5	78835-05	Large Steel Collet 2" - 2 1/2" (Works with #01 & 04)	1
6	78835-06	3 7/8" - 4 1/4" Collet (Works with #02)	1
7	78835-07	28 MM drive expanding tool	1
8	78835-08	Small Steel Collet 1 5/8"- 1 7/8" (Works with # 02 & 03)	1

Index	Part No.	Description	Qty
9	78835-09	Bearing Set	1
10	78835-01OR	01 Collet O-Ring	2
11	78835-02OR	02 Collet O-Ring	2
12	78835-03OR	03 Collet O-Ring	2
13	78835-04OR	04 Collet O-Ring	2
14	78835-05OR	05 Collet O-Ring	2
15	78835-06OR	06 Collet O-Ring	2
16	78835-08OR	08 Collet O-Ring	2

Astro

MODEL NO. **78835**

EXHAUST PIPE STRETCHER KIT

- ✔ Impact driven Heavy-Duty expander allows for fitting smaller exhaust piping and making exhaust seals
- ✔ The 28mm drive expanding tool and collet sets expand pipes from 1-5/8" to 4-1/4"

WHAT'S INCLUDES

Steel expander 1 5/8" - 2" Collet	3 1/8" - 3 1/2" Collet
Steel expander 2" - 2 1/2" Collet	3 1/2" - 3 7/8" Collet
2 3/8" - 2 3/4" Collet	3 7/8" - 4 1/4" Collet
2 3/4" - 3 1/8" Collet	

SPECIFICATION

Drive size of 28MM

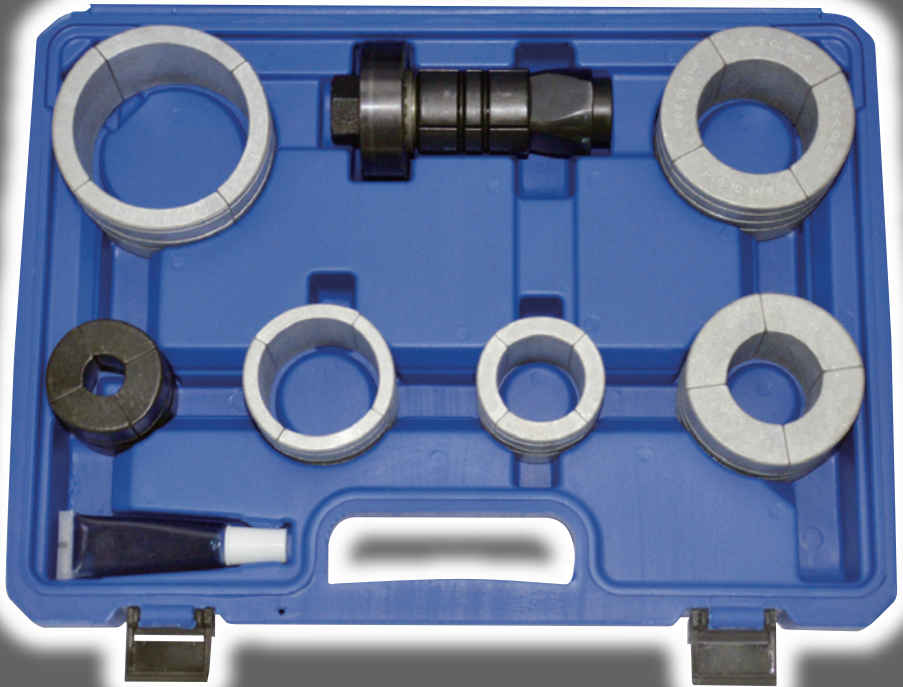




Model # 78835

**EXHAUST PIPE
STRETCHER KIT**

**THE 28MM DRIVE EXPANDING TOOL AND COLLET
SETS EXPAND PIPES FROM 1-5/8" TO 4-1/4"**



**WARNING: NOT FOR USE ON
STAINLESS EXHAUST PIPING**

Model	78835
Includes : Steel Expander 1 5/8" - 2" Collet Steel expander 2" - 2 1/2" Collet 2 3/8" - 2 3/4" Collet 2 3/4" - 3 1/8" Collet 3 1/8" - 3 1/2" Collet 3 1/2" - 3 7/8" Collet 3 7/8" - 4 1/4" Collet	

**IMPACT DRIVEN HEAVY-DUTY EXPANDER
ALLOWS FOR FITTING SMALLER EXHAUST
PIPING AND MAKING EXHAUST SEALS**

**Astro Pneumatic
Tool Company**



UNDERCAR KIT



Learn more about exhaust system service tools we have.