



**Model: ATD – 7331A**  
**Capacity: 3 Ton**

# Operating Instructions & Parts Manual

## ATD-7331A 3-Ton Hydraulic Service Jack



Capacity	Min. Height	Max Height	Handle Length	Overall Length	Overall Width	Saddle Diameter	Shipping Weight
3 Ton	5-1/4"	20"	50"	29-3/8"	14-1/4"	5"	92 LB

### Contents:

- Page: 1. Specifications  
 2. Safety & Warning Information  
 3. & 4. Setup, Operation & Preventive Maintenance  
 5. Inspection, Storage & Troubleshooting  
 6. Exploded View & Replaceable Part Numbers  
 7. Warranty Information  
 8. Preventive Maintenance Record Log

**⚠ WARNING ⚠**  
**WARNING:** This product may contain chemicals, including lead, known to the State of California to cause cancer, birth defects or other reproductive harm. *Wash hands after handling.*



**Model: ATD – 7331A**  
**Capacity: 3 Ton**

## SAFETY & WARNING INFORMATION



This is the safety notification symbol. This symbol will notify you of any potential injury hazards. Please follow all instructions that follow this symbol to avoid possible injuries or death.



Indicates a hazardous situation. If proper steps are not followed, death or serious injury could result.



### **IMPORTANT: READ ALL INSTRUCTIONS BEFORE USE**

Before operating this device, be sure to read all content within this manual, ensuring that you understand the operating procedures, maintenance requirements and all safety warnings.

The owner and/or operator shall have an understanding of the product, its operating characteristics, and safety operating instructions before operating this device. Safety information shall be emphasized and understood. If the operator is not fluent in English, the product and safety instructions shall be read to and discussed with the operator in the operator's native language by the purchaser/owner or his designee, making sure that the operator comprehends their contents.



### **Actions to help prevent dangerous situations**

- Study, understand, and follow all instructions before operating this device.
- Do not exceed the rated capacity stated.
- Use only on hard level surfaces.
- This item is to be used as a lifting device only. Immediately after lifting, support the vehicle with appropriate means.
- Do not move or dolly the vehicle while it is on the jack.
- Lift only on areas of the vehicle as specified by the vehicle manufacturer.
- No alterations shall be made to this product.
- Failure to heed these markings may result in serious personal injury and/or property damage.



**Model: ATD – 7331A**  
**Capacity: 3 Ton**

## SETUP, OPERATION & PREVENTIVE MAINTENANCE



### **Setup**

- Prior to each use, visual inspection (See Pg. 5) shall be made to the device by checking for abnormal conditions, such as cracked welds, leaks, and damaged, loose, or missing parts.
- Consult the vehicle owner's manual to determine the location of lift points.
- Be sure to set the vehicle in park with the emergency brake on and wheels securely chocked.
- Be sure that the vehicle and the jack are on a hard, level surface.



### **Assembly**

- If two piece handles are provided, assemble the upper section into the lower section, line up the holes, insert and tighten the screw.
- Insert the bottom end of handle into handle fork and securely tighten the bolt and washer. Ensure the handle can turn freely.



### **Lifting**

- Turn the handle/release valve clockwise to the closed position. Do not over tighten.
- Position the jack under the specified lift point.
- Begin lifting by pumping the handle up and down.
- Immediately after lifting, support the vehicle with appropriately rated jack stands.
- Turn the handle/release valve slowly counterclockwise to lower the vehicle onto jack stands.



### **Lowering**

- Turn the handle/release valve clockwise to the closed position. Do not over tighten.
- Pump the handle up and down to lift vehicle off jack stands.
- Remove the jack stands. Do not get under or let anyone get under the vehicle while lowering.
- Turn the handle/release valve slowly counterclockwise to lower the vehicle onto the ground.



**Model: ATD – 7331A**  
**Capacity: 3 Ton**

## **SETUP, OPERATION & PREVENTIVE MAINTENANCE (Cont.)**



### **Maintenance**

**NOTICE:** Use high grade hydraulic oil only. Never use brake fluid, motor oil, transmission fluid, turbine oil or any other fluids. ISO-VG22 or equivalent hydraulic oil is recommended.

### **Check and Refill Oil**

- With the jack in the fully lowered, level position, if unit cover is provided, remove unit cover, then remove oil filler plug.
- Proper oil level should be just covering inner cylinder as seen from the oil filler plug hole.
- Do not overfill. Always fill with new, clean hydraulic jack oil as recommended above.
- Reinstall oil filler plug, then reinstall unit cover.

### **Lubrication and Cleaning**

- Periodically clean and lubricate all moving parts and pivot points.

### **Air Venting Procedures**

- With the jack in the fully lowered position, release valve open, remove oil filler plug.
- Pump the handle rapidly several times. Reinstall oil filler plug.
- Turn the handle/release valve clockwise to the closed position.
- Pump the handle until the lift arm reaches maximum height and continue to pump several times to remove trapped air in the system.
- Turn the handle/release valve counterclockwise in one full turn and lower lift arm to the lowest position. Use force on saddle if necessary.
- Carefully and slowly loosen oil filler plug to release pressurized air.
- Repeat above steps until trapped air is completely vented.

### **Damaged Equipment**

Any jack that appears to be damaged in any way, is found to be worn, or operates abnormally **SHALL BE REMOVED FROM SERVICE UNTIL REPAIRED**. It is recommended that necessary repairs be made by a manufacturer's or supplier's authorized repair facility if repairs are permitted by the manufacturer or supplier.

### **Alterations**

Because of potential hazards associated with this type of equipment, no alterations shall be made to the product.

### **Attachments and Adapters**

Only attachments and/or adapters supplied by the manufacturer shall be used.



**Model: ATD – 7331A**  
**Capacity: 3 Ton**

## **INSPECTION, STORAGE & TROUBLESHOOTING**



### **Inspection**

- Visual inspection shall be made before each use of the device by checking for abnormal conditions, such as cracked welds, leaks, and damaged, loose, or missing parts.
- Other inspections shall be made per product operating instructions.
- This device shall be inspected immediately if the device is believed to have been subjected to an abnormal load or shock. It is recommended that this inspection be made by a manufacturer’s or supplier’s authorized repair facility.
- Owners and/or operators should be aware that repair of this equipment may require specialized knowledge and facilities. It is recommended that an annual inspection of the product be made by a manufacturer’s or supplier’s authorized repair facility and that any defective parts, decals, or safety labels or signs be replaced with manufacturer’s or supplier’s specified parts.



### **Storage**

This Jack should be stored in a dry location on a level surface.



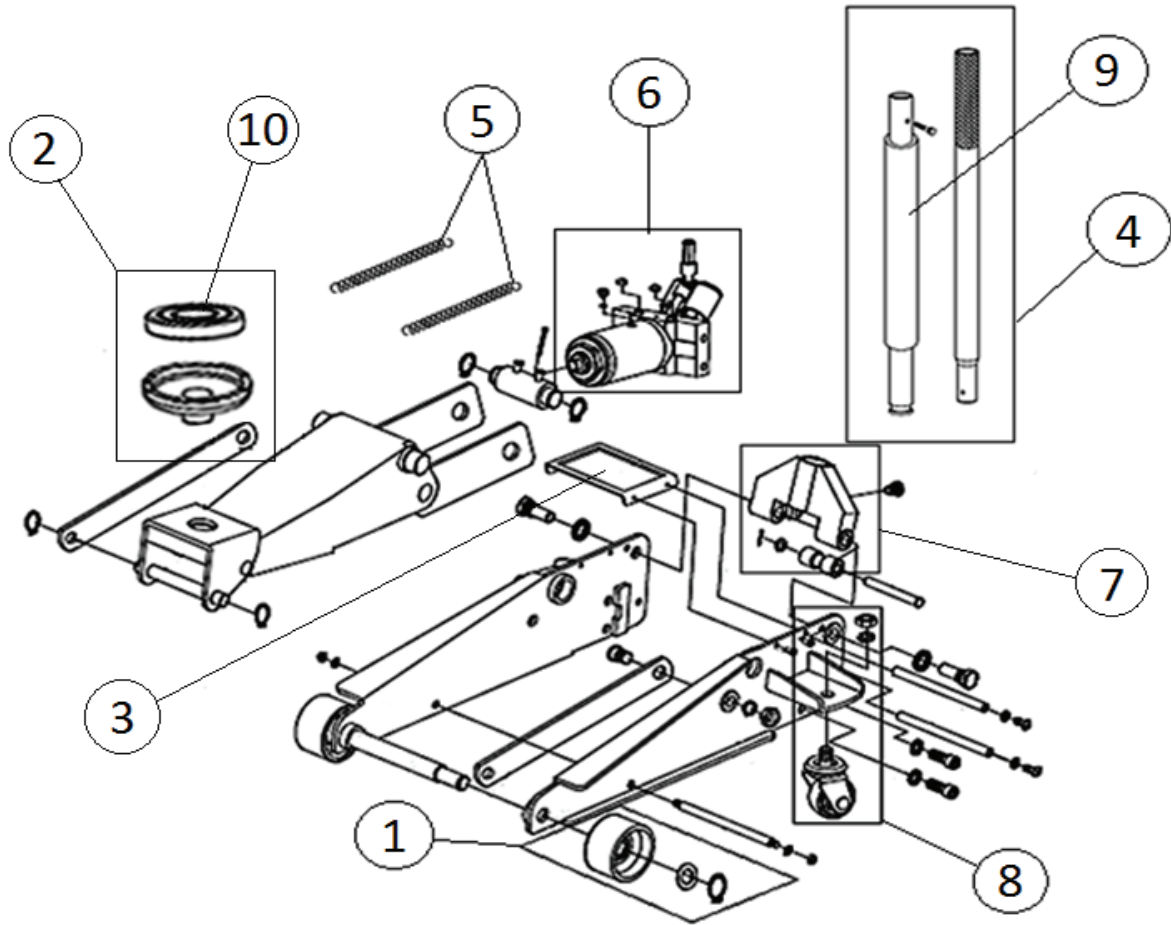
### **Troubleshooting**

<b>Symptom</b>	<b>Possible Causes</b>	<b>Solution</b>
<b>Jack will not lift the load.</b>	1. Release valve not tightly closed. 2. Low oil level. 3. Defective or worn internal parts. 4. Load exceeds maximum allowance.	1. Tighten release valve. 2. Check and add oil. Follow “Check and Refill Oil” instructions on Pg.4. 3. Discontinue use and contact a local repair center. 4. Use a higher capacity jack.
<b>Jack will not hold the load.</b>	1. Release valve not tightly closed. 2. Power unit malfunction.	1. Tighten release valve. 2. Discontinue use and contact a local repair center.
<b>Jack will not descend to minimum height, or will not remain in lowered position.</b>	1. Air trapped in system. 2. Reservoir oil overfilled.	1. Vent air out of system. Follow “Air Venting Procedures” above. 2. Check and ensure proper oil level. Follow “Check and Refill Oil” instruction on Pg.4.
<b>Jack will not lift to max height.</b>	1. Low oil level.	1. Check and ensure proper oil level. Follow “Check and Refill Oil” instructions on Pg. 4.
<b>Jack will not function properly after tried solution.</b>	1. Internal malfunction or structural damage.	1. Stop usage and contact an authorized repair center.



**Model: ATD – 7331A**  
**Capacity: 3 Ton**

**EXPLODED VIEW & REPLACEABLE PART NUMBERS**



Item	Part Number*	Description	Qty
1	LYD3G-100A	Front wheel assembly	2
2	LYD3K-100	Saddle w/pad	1
3	LYD3J-3	Cover	1
4	LYD3G-200A	Handle Assembly w/ foam	1
5	LYD2F-3	Return Spring	2
6	LYD2K.3	Power Unit Assembly	1
7	LYD3G-300	Handle Fork Assembly	1
8	LYD3F-103A	Rear Caster Assembly	2
9	LUDBI-3T-17	Handle foam only	1
10	LYD3K-1	Saddle pad only	1
N/A	ATD7331A-L	Product Label	1

\* Items not identified by part number are not available for replacement.