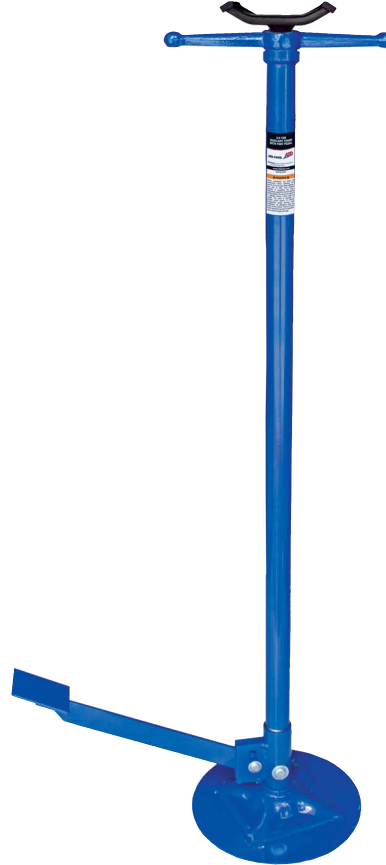




ATD-7441A 3/4-Ton Heavy-Duty Underhoist Stand ATD-7442A 3/4-Ton Heavy-Duty Underhoist Stand with Foot Pedal Owner's Manual



Model ATD-7441A



Model ATD-7442A

Features:

- Fast and safe technology designed to support vehicle components during under vehicle service
- Heavy gauge steel frame prevents distortion or twisting
- 12" diameter base provides stability
- Removable rubber saddle cover protects vehicle components
- Foot pedal allows easy load movement (ATD-7442A only)
- Underhoist stands provide partial support for components – they are NOT designed to support the vehicle
- ASME/PASE 2014 certified

Specifications:

- Capacity (Ton): 3/4
- Minimum Height: 53-1/2"
- Maximum Height: 80"
- Saddle Size: 5-1/2" x 2-1/2"
- Base Size: 12" diameter
- Shipping Weight: ATD-7441A - 33 lbs.
ATD-7442A - 37.4 lbs.

Save these instructions. For your safety, read, understand, and follow the information provided with and on this stand. The owner and operator of this equipment should have an understanding of this stand and safe operating procedures before attempting to use. The owner and operator should be aware that use and repair of this product may require special skills and knowledge. Instructions and safety information should be conveyed in the operator's native language before use of this stand is authorized. If any doubt exists as to the safe and proper use of this stand, remove from service immediately. **Inspect before each use.** Do not use if broken, bent, cracked or damaged parts are noted. Any stand that appears damaged in any way, or operates abnormally should be removed from service immediately. If the stand has been or suspected to have been subjected to a shock load (a load dropped suddenly, unexpectedly upon it), immediately discontinue use until stand has been checked by qualified personnel.

PRODUCT DESCRIPTION

ATD Tools Under Hoist Stands are intended to be used as a means of partial support for, and the positioning of, vehicle components during their installation / removal, but **not** for use in stabilizing or supporting vehicles. These are for use under a 2- or 4-post overhead vehicle lift or in a garage pit. Heavy gauge steel construction and compliance with the latest **ASME / ANSI - PALD** standards ensure safety, strength and stability.

- **Do not use to move, support or dolly vehicles.**
- **Do not use for any other purpose than those outlined above.**

BEFORE USE

1. Inspect stand before each use. Do not use if bent, broken or cracked components are noted. Ensure that all parts move freely.
2. Verify that the product and the application are compatible.
3. Before using this product, read the owner's manual completely and familiarize yourself thoroughly with the product and the hazards associated with its improper use. If necessary, call for Technical Assistance (636) 327-90502.

ASSEMBLY

1. Begin assembly by inserting smaller end of threaded rod through the bottom of upright, allowing small end of threaded rod to project out of the top of upright.
2. Place bearing over threaded portion.
3. Spin adjustable handle clockwise onto threaded portion.
4. Saddle can now be fastened by inserting the pin through saddle and threaded rod.
5. A. **For model ATD-7441A:** Insert upright assembly onto base and secure with bolt and nut provided.
B. **For model ATD-7442A:** Insert upright assembly onto base with slot in upright facing foot pedal mount and secure using the larger pin, washer and c-clip. Then insert foot pedal into slot and secure with the remaining pin, washer and c-clip.

OPERATION

Note: Only attachments and/or adapters supplied by the manufacturer should be used.

To Raise:

1. Turn adjustable handle clockwise until saddle contacts load. Be sure to center load on saddle.
2. **For model ATD-7442A,** slightly raise the saddle by pressing on the foot pedal. This may or may not be necessary depending on the application. It is provided as a means of making temporary adjustments on load height without using your hands. This leaves your hands free to engage, handle and control the workpiece.

Note: Do not lower overhead lift in order to accommodate the stand. Contact with the desired vehicle component should only be done by means of the vertical adjustments provided on the stand.

To Lower:

Important! Be sure all tools and personnel are clear before lowering load.

Turn adjustable handle counterclockwise. This product should NEVER be used to lift or lower a load that is not already attached to the vehicle being serviced.

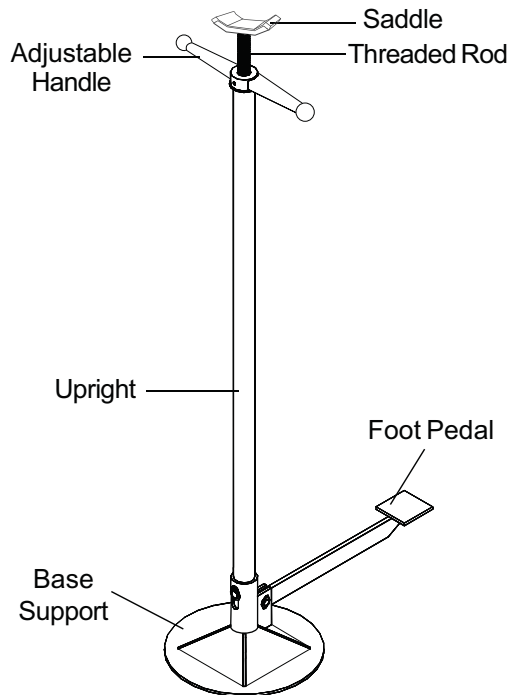




Figure 1 - Typical Underhoist Stand components (ATD-7442A shown)

 <b style="font-size: 24px; margin-left: 10px;">WARNING

<ul style="list-style-type: none"> • Study, understand, and follow all instructions before operating this device. • Do not exceed rated capacity. • Use only on hard, level surface. • Adequately support the vehicle before starting repairs. • Center load on saddle. • Do not use to support or stabilize vehicle. • This stand is intended to provide partial support of vehicle components during removal and installation. • No alterations shall be made to this device. • Failure to heed these markings may result in Personal injury and/or property damage.

MAINTENANCE

Periodically inspect each stand. Ensure all parts move freely. Apply grease to nipple as needed. If rust appears, sand affected area and cover with suitable utility paint.

REPLACEMENT PARTS

Not all components of the stand are replacement items, but are illustrated as a convenient reference of location and position in the assembly sequence. When ordering parts, give model number, part number and description below. Call your distributor for current pricing.

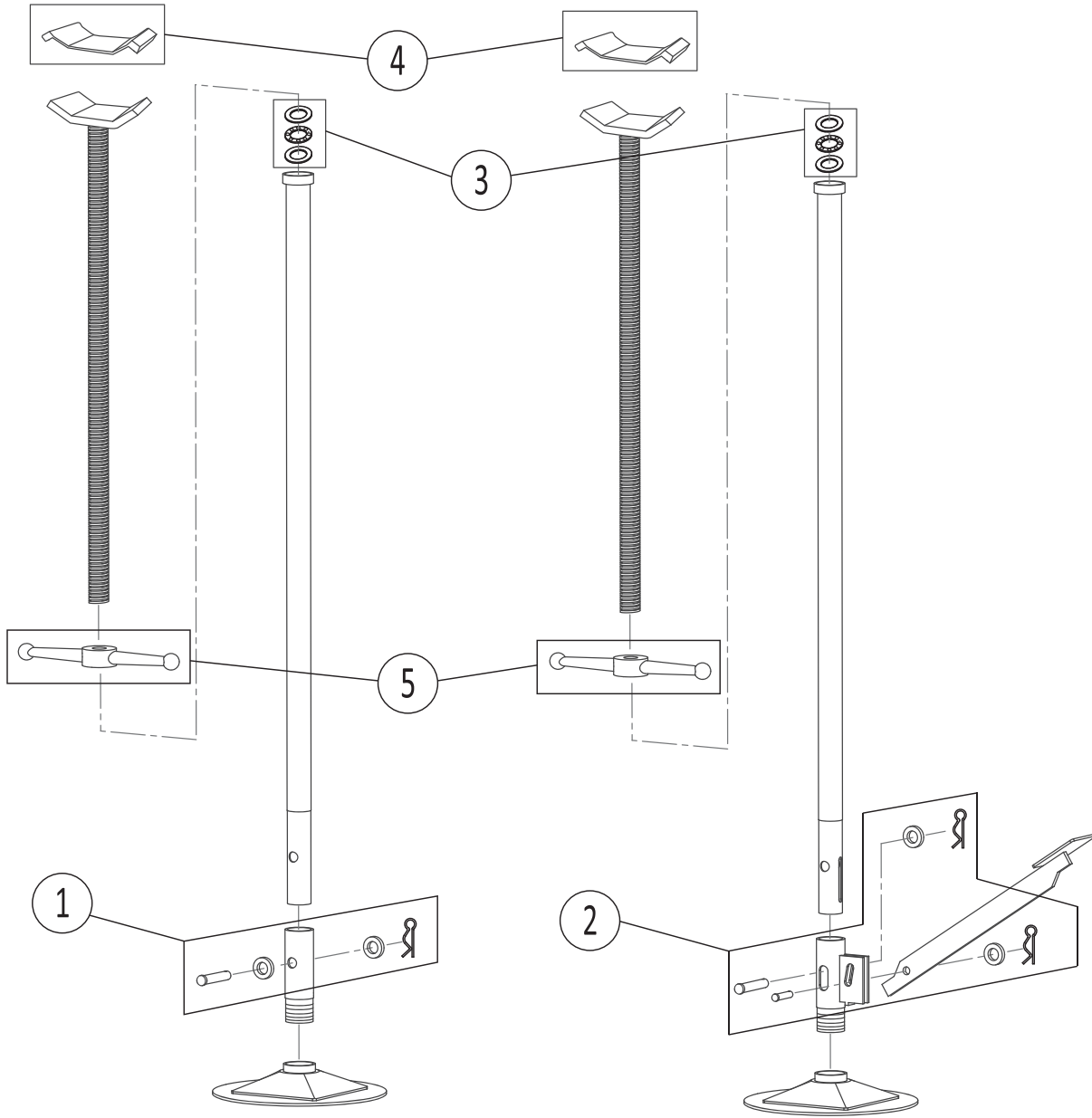


Figure 2 - Parts Illustration for model ATD-7441A

Figure 3 - Parts Illustration for model ATD-7442A

ITEM#	ORDERING PART#	DESCRIPTION
01	7441A-100	ATD-7441A PIN ASSEMBLY
02	7442A-100	ATD-7442A PIN ASSEMBLY
03	8106	BEARING
04	2TGZJD-1	SADDLE PAD
05	2TGZIA-3	HANDLE