



Pin Style Jack Stands

Operating Instructions & Parts Manual

Model Number

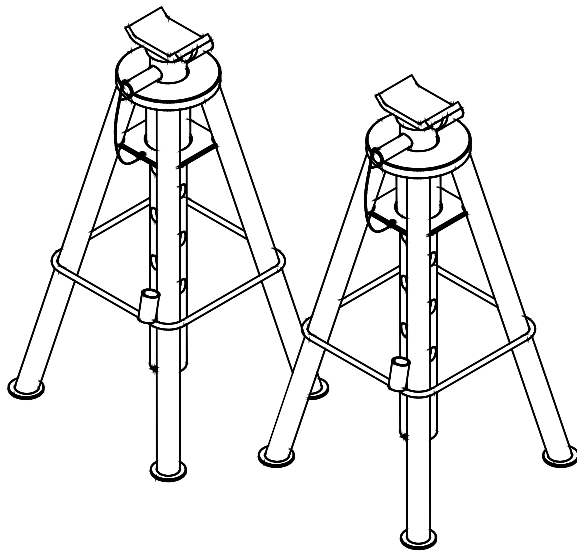
ATD-7447

ATD-7449

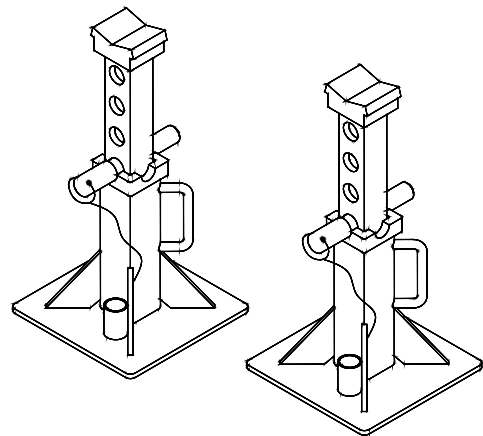
Capacity per pair

10 Ton

22 Ton



Model ATD-7447



Model ATD-7449

⚠ WARNING ⚠

WARNING: This product may contain chemicals, including lead, known to the State of California to cause cancer, birth defects or other reproductive harm. *Wash hands after handling.*

For your safety, *read, understand, and follow* the information provided with and on these jack stands. The owner and operator shall have an understanding of these jack stands and safe operating procedures before attempting to use. The owner and operator shall be aware that use of this product may require special skills and knowledge. Instructions and safety information shall be conveyed in the operator's native language before use of these stands is authorized. Make certain that the operator thoroughly understands the inherent dangers associated with the use and misuse of the product. If any doubt exists as to the safe and proper use of the jack stands, remove from service immediately. **Inspect before each use.** Do not use if there are broken, bent, cracked or damaged parts (including labels). Any jack stand that appears damaged in any way, or operates abnormally shall be removed from service immediately. If the jack stand has been or is suspected to have been subjected to a shock load (a load dropped suddenly, unexpectedly upon it), immediately discontinue use until jack stand has been inspected by a factory authorized service center. It is recommended that an annual inspection be done by qualified personnel. Labels and Operator's Manuals are available from manufacturer.

PRODUCT DESCRIPTION

ATD Tools Heavy-Duty Pin Style Jack Stands are designed to safely support one end of level, rated capacity loads, typically vehicles, for extended periods. Heavy gauge steel base section and welded construction helps prevent distortion and twisting. Compliance with the latest **ASME / ANSI - PALD** standards ensure safety, strength and stability.

RATED CAPACITY IS PER PAIR ONLY! USE ONLY ONE PAIR PER VEHICLE.

DO NOT USE FOR ANY PURPOSE OTHER THAN THOSE USES OUTLINED ABOVE !

SPECIFICATIONS

Model	Capacity (per pair)	Base Size	Min. Height	Max. Height	Saddle Size	Net Weight
ATD-7447	10 Ton	16" x 16"	28"	47"	3-3/8" x 5"	120 lbs.
ATD-7449	22 Ton	9-7/8" x 9-7/8"	12-1/4"	19-7/8"	3-1/8" x 2-3/4"	65 lbs.

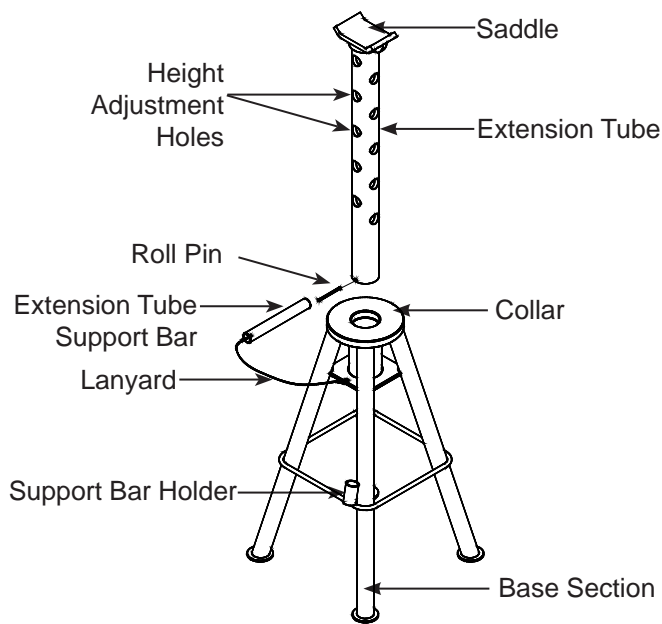


Figure 1 - Model ATD-7447 components

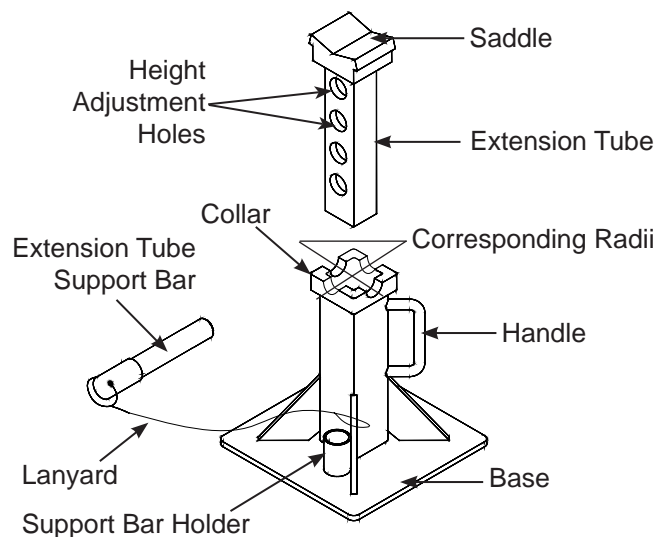


Figure 2 - Model ATD-7449 components

BEFORE USE

1. Inspect stands before each use. Do not use if bent, broken or cracked components are noted. Ensure that all parts move freely.
2. Before using this product, read the operator's manual completely and familiarize yourself thoroughly with the product and the hazards associated with its improper use.
3. Insert roll pin into the bottom hole of the extension tube to prevent inadvertent loss of the extension tube. Model ATD-7449 is pre-installed.
4. Always check the vehicle owners or service manual for location of proper lift and support points.

WARNING

- Study, understand and follow all instructions provided with and on this device before use.
- **Rated capacity is per pair!** Do not exceed rated capacity.
- Use only on hard, level surface.
- Center load on saddle.
- Use as a matched pair to support one end of a vehicle only. One pair per vehicle only.
- Jack stands are not to be used to simultaneously support both ends or one side of a vehicle.
- No alterations shall be made to this device.
- Failure to heed these markings may result in personal injury and/or property damage.

OPERATION

IMPORTANT! Rated capacity is per pair. Use **ONLY** one pair per vehicle. No alterations shall be made to this device. Do not use adapters or accessories on the saddle or base frame.

1. Adjust saddle height by pulling up the extension tube, then insert the tube support bar through the hole on extension tube.
2. For model ATD-7447: Ensure that support bar is secure before loading. Insert support bar into the extension tube far enough to create equal distance of bar extending from the extension tube on both sides.
For model ATD-7449: Check to ensure support bar is secure and nested across 2 corresponding radii before loading. Ensure that support bar is inserted completely so that bar stop engages the collar.
3. Carefully position stands so that load is centered on stand's saddle.
4. Slowly lower the vehicle onto the stands.
5. Check to ensure that vehicle is secure before working on, around or under. When used to support vehicle, use wheel chocks to prevent inadvertent movement.

To lower load

WARNING

Be sure all tools and personnel are clear before lowering load.

1. With suitable jack, raise vehicle clear of stands.
2. Carefully release support bar and allow extension tube to glide down to lowest position.
3. Carefully remove stands, then carefully lower vehicle with jack.

MAINTENANCE

To help prevent rust, wipe clean and/or blow dry after each use. Do not apply oil or lubricant to ANY portion of this product. Keep support bar in bar holder on base section.

Note: No replacement parts are available for this device. Replace as matched pair only.