

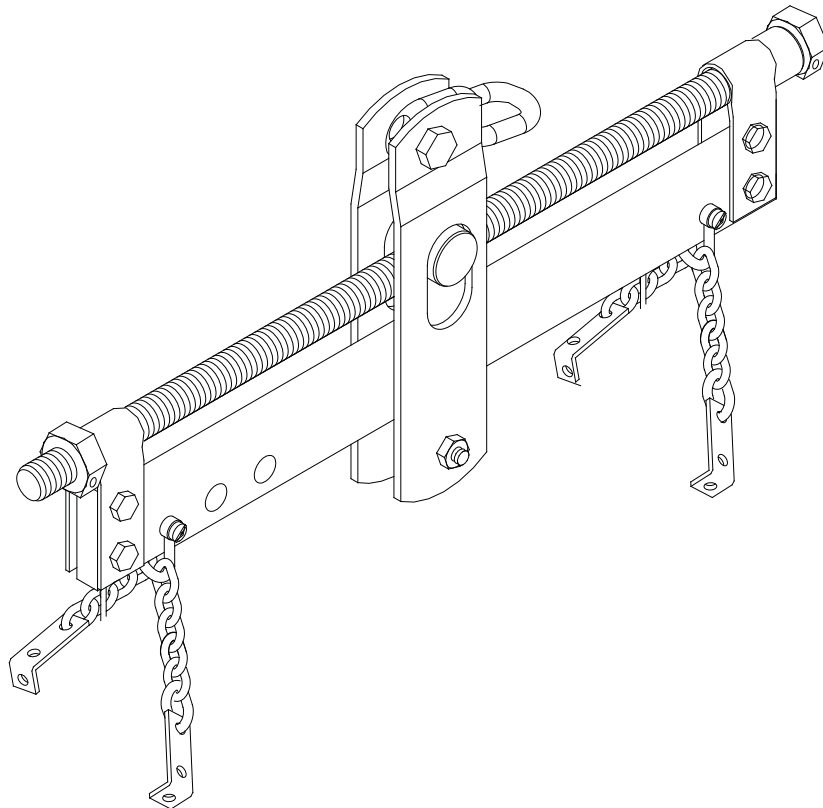


Engine Lifting Sling Bar

Operating Instructions & Parts Manual

***Model Number
ATD-7489***

***Capacity
3/4 Ton***



⚠ WARNING ⚠

WARNING: This product may contain chemicals, including lead, known to the State of California to cause cancer, birth defects or other reproductive harm. *Wash hands after handling.*

SAFETY AND GENERAL INFORMATION

Save these instructions. For your safety, *read, understand and follow* the information contained within. The owner and operator shall have an understanding of this equipment and safe operating procedures before attempting to use. Instructions and Safety information shall be conveyed in the operators native language before use of this equipment is authorized. Make certain that the operator thoroughly understands the inherent dangers associated with the use and misuse of the equipment. If any doubt exists as to the safe and proper use of this equipment, remove from service immediately.

Inspect before each use. Do not use if there are broken, bent, cracked or otherwise damaged parts (including labels). Owners and operators of this equipment shall be aware that the use of this equipment may require special training and knowledge. It is recommended that an annual inspection be done by qualified personnel and that any missing or damaged decals, warning / safety labels or signs be replaced with factory authorized replacements only. Any engine sling that appears to be damaged in any way, is worn or operates abnormally shall be removed from service and destroyed immediately.

PRODUCT DESCRIPTION

ATD Tools Engine Sling is designed to use with standard engine crane to safely support load up to 3/4 Ton. It assists the removal and installation of engine easily by routing four bolt-thru bracket to the engine. Heavy duty steel frame helps prevent distortion and twisting. Compliance with factory standards ensure safety, strength and stability.

SPECIFICATIONS

Model	Capacity	Chain Bracket Distance	Chain Length	Frame Size (L x W)
ATD-7489	3/4 Ton	10" to 12-1/2"	12"	18" x 7-5/8"

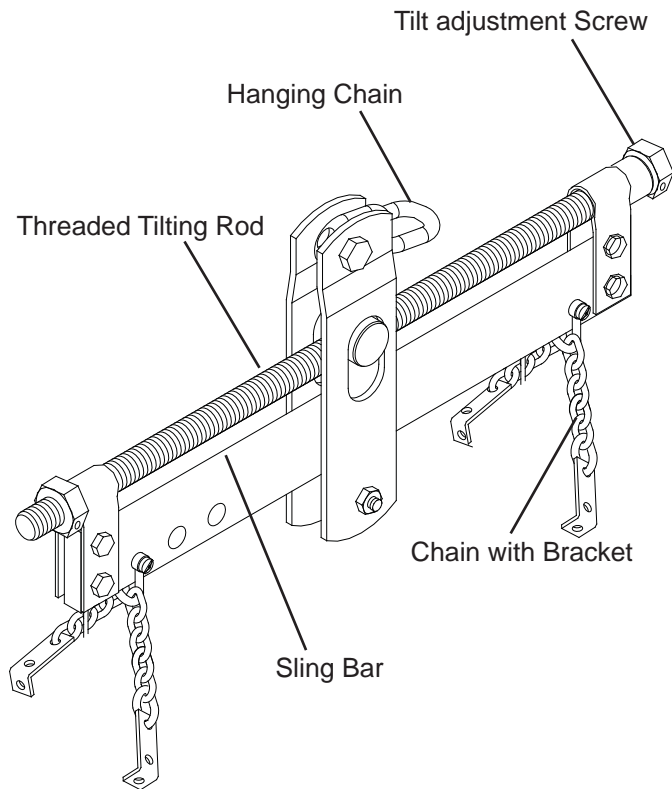


Figure 1 - Engine Sling components

BEFORE USE

1. Verify that the equipment and the application are compatible.
2. Before using this equipment, read the operator's manual completely and familiarize yourself thoroughly with the equipment and the hazards associated with its improper use.
3. Inspect before each use. Do not use if bent, broken or cracked components are noted.
4. Ensure that all parts move freely.



WARNING

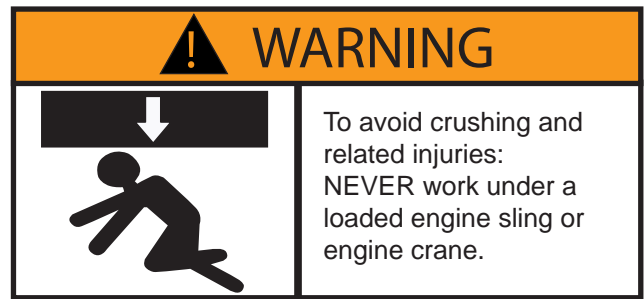
- Study, understand, and follow all instructions provided before attempting to use this equipment.
- Do not exceed rated capacity.
- Never work under a lifted load for any reason.
- Ensure that the engine is supported securely before repairing.
- Do not use this equipment for any purpose other than that for which it is intended.
- No alterations shall be made to this product.
- Failure to heed these markings may result in personal injury and/or property damage.

OPERATION

1. There are three positions available to adjust the chain bracket width to fit most engine. Adjust to your best fit and ensure that the threaded pin is tighten.
2. Secure engine to the chain brackets
3. Engage the engine sling hanging chain to the engine crane hook.
4. Ensure the load is centered.
5. Follow vehicle service manual recommendations to remove engine.
6. Study and follow engine crane's operator instructions manual to remove/install engine.
7. When ready to remove engine, lift the engine crane gradually. Balance the engine at proper angle by turning the tilt adjustment screw.
8. Lift the engine crane high enough to clear the vehicle.
9. Immediately upon removal and when clear of the vehicle, lower the load to lowest practical position.

Note: Avoid rolling the loaded engine crane. To help, position an engine stand if necessary, move only across smooth, level, seamless surfaces.

10. **Before** moving, ensure the load:
 - a. is lowered to lowest practical position and below center of gravity.
 - b. is prevented from swinging and inadvertent shifting.
11. Position a suitable engine stand near the removed engine, then immediately transfer the load to engine stand.
12. Check to ensure stand is secure before working on or around.



MAINTENANCE

Periodically inspect the engine sling. Ensure all parts move freely. To help prevent rust, wipe clean after each use. If rust appears, sand affected area and cover with suitable utility paint. Store the engine sling in a clean, dry area.

REPLACEMENT PARTS

Not all components of the engine sling are replacement items, but are illustrated as a convenient reference of location and position in the assembly sequence. When ordering parts, give part number and part description. Call your distributor for current pricing.

Replacement Parts List

<u>Item</u>	<u>Part#</u>	<u>Description</u>	<u>Qty</u>
1	T580-03000-000	Hanging Chain	1
2	T580-01000-000	Chain Group	2
3	T580-01001-000	Threaded Pin	2

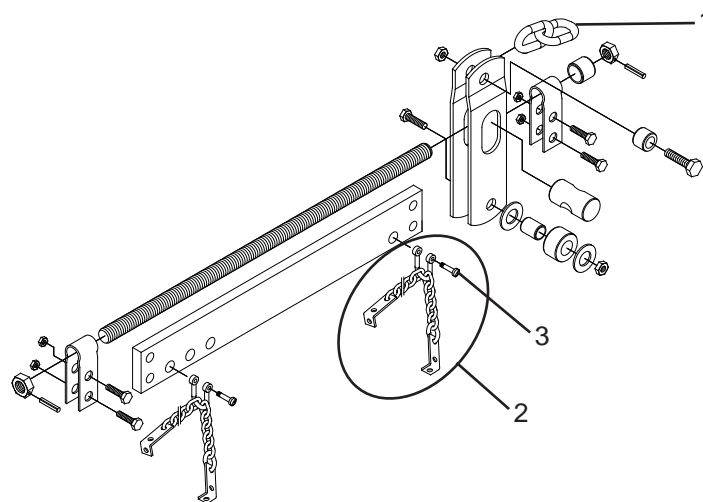


Figure 2 - Engine Sling Parts Illustration