



## ATD-81012 Hydraulic Tractor Style Creeper Seat Manual



### Features:

- Tractor style padded cushion shop seat
- Pneumatic lever for easy height adjustment
- Solid wheel design for added strength with rounded sides for easy movement
- (5) Industrial strength casters with 2-1/2" oil, chemical and grease resistant wheels
- Round metal base with tray for tool & parts storage
- Seat dimensions: 18" W x 9.5" D
- 300 lbs. weight capacity
- 2-Year Limited Warranty

### **WARNING**

**WARNING:** This product contains chemicals, including lead, known to the State of California to cause cancer, birth defects or other reproductive harm. *Wash hands after handling.*

# Assembly Instructions

1. Attach all five (5) casters through the bottom of the steel base (#9) and the tool tray (#8). Insert the threaded stem of each caster through each of the holes, add washers (#7) and tighten nuts (#6) onto stems with a wrench.
2. Attach the up/down control board (#2) to the underside of the seat cushion with the washers (#3) and screws (#4). Tighten securely.
3. Insert the painted, larger end of the hydraulic shaft (#5) into center hole on top of round metal base. To avoid damaging the shaft, do not force or hammer cylinder into the hole.
4. Place seat on top of the unpainted, smaller end of the hydraulic shaft. As in step #3, do not force or hammer the seat onto the hydraulic shaft.
5. To lock seat and hydraulic shaft into place, slowly add your weight to the seat by sitting on the seat for approximately 10 seconds. The hydraulic shaft and the seat will lock into place automatically.

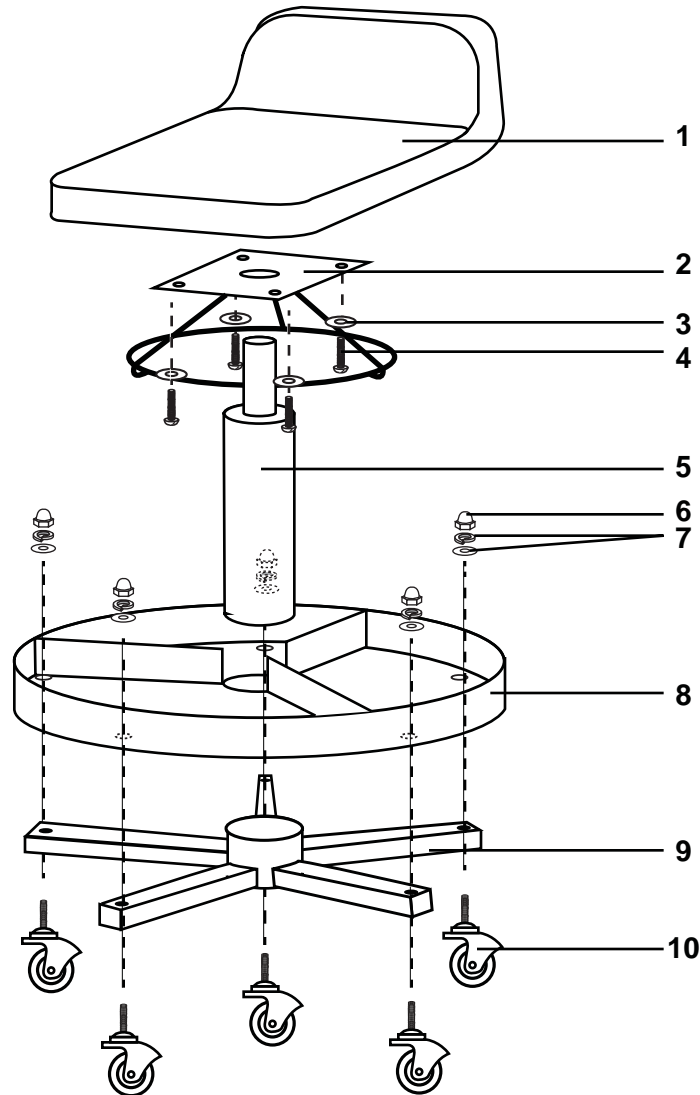


# Care Instructions

Your ATD Hydraulic Creeper Seat is designed to give you worry-free service with little to no maintenance. There should be no need for periodic oiling or maintenance of the seat or cylinder. Simply clean with a damp cloth. Avoid contact with harsh chemicals.



# ATD-81012



ITEM#	ORDERING PART#	PART DESCRIPTION
1	PRT81012-01	SEAT
2	PRT81010-02	UP & DOWN CONTROL BOARD
3	PRT81010-H	WASHER, 6mm
4	PRT81010-H	SCREW, 6 x 16mm
5	PRT81010-05	PNEUMATIC SHAFT
6	PRT81010-H	NUT, 8mm
7	PRT81010-H	WASHERS, 8mm
8	PRT81010-08	TOOL TRAY
9	PRT81010-09	STEEL BASE
10	ATD-81001	2.5" REPLACEMENT CASTER (LONG STEM)