

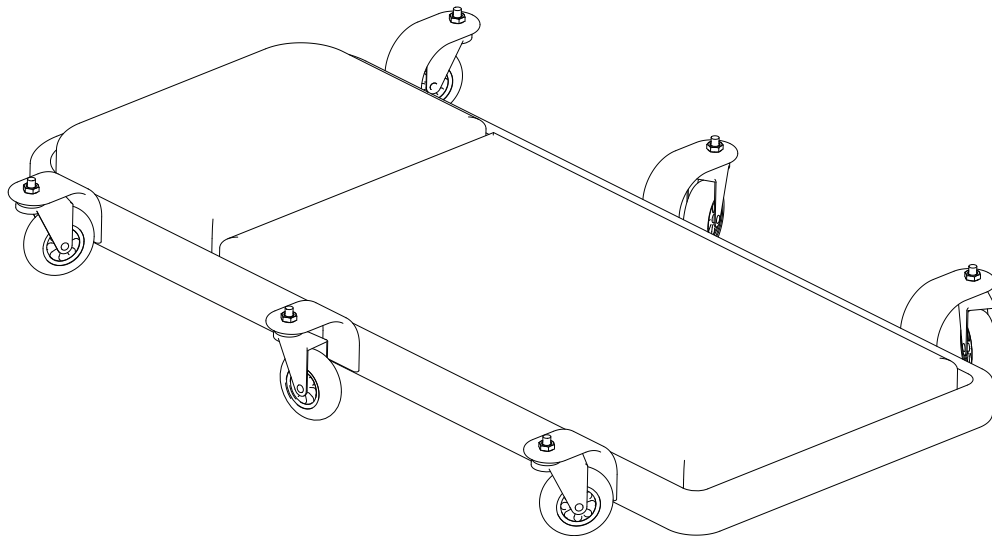


Low Profile Creeper

Operating Instructions & Parts Manual

Model
ATD-81046

Capacity
400 lbs.



U.S. Patent No's. D634,502S • D639,638S
& Other U.S. Patent Pending



This is the safety alert symbol. It is used to alert you to potential personal injury hazards. Obey all safety messages that follow this symbol to avoid possible injury or death.

! WARNING

To avoid pinch and laceration injuries:

- **Keep hands away from** pinch and laceration hazards points that are created during use!
- **Be alert and sober** when using this product!
- Sit **centrally** on seat pad **ONLY**. **NEVER** sit on edge!

! WARNING !

WARNING: This product may contain chemicals, including lead, known to the State of California to cause cancer, birth defects or other reproductive harm. *Wash hands after handling.*



WARNING

- **Read, understand, and follow** all printed materials provided with and on this product before use.
- **Do not** exceed rated capacity of **400 lbs.** Rated capacity consists of: One person, tools, equipment totaling **400 lbs.**
- Use on smooth, level, seamless surfaces only.
- Sit down gently. Avoid shock loads caused by jumping or falling onto seat.
- Do not stand on this product.
- This product is not a toy, and is not appropriate for young children.
- Failure to heed these warnings may result in **personal injury and/or property damage.**



Do not use this device for any purpose other than that for which it is expressly intended.

SAFETY AND GENERAL INFORMATION

Save these instructions. For your safety, read, understand, and follow the information provided with and on this jack. The owner and operator of this equipment shall have an understanding of this creeper and safe use/operating procedures before attempting to use. The owner and operator shall be aware that use and repair of this product may require special skills and knowledge. Instructions and safety information shall be conveyed in the operator's native language before use of this jack is authorized. If any doubt exists as to the safe and proper use of this creeper, remove from service immediately.

Inspect before each use. Do not use if broken, bent, cracked, or damaged parts (including labels) are noted. Any creeper that appears damaged in any way, operates abnormally or is missing parts, shall be removed from service immediately. If the creeper has been or suspected to have been subjected to a shock load (a load dropped suddenly, unexpectedly upon it), immediately discontinue use until creeper has been checked by a factory authorized service center. It is recommended that an annual inspection be done by qualified personnel. Labels and Owner's Manuals are available from manufacturer (see Replacement Parts, page 3).

PRODUCT DESCRIPTION

This device is designed to support rated capacity loads consisting of **one person weighing 400 lbs. or less.** It is intended to be used to support and transport, along a **smooth and level surface**, a single person for the purpose of performing automotive maintenance or service. This device **is not** intended, designed or engineered to be used for any other purpose.

SPECIFICATIONS

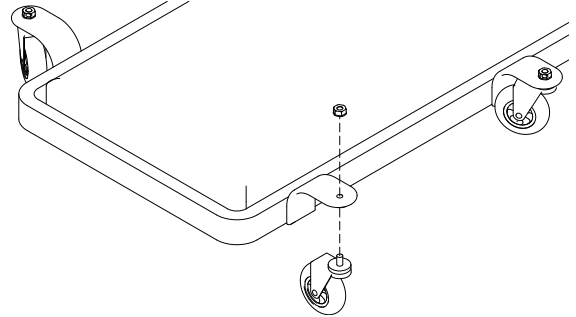
Model	Rated Capacity	Overall Dimensions (L x W x H)
ATD-81046	400 lbs	40" x 25-1/2" x 4-3/8"

PREPARATION

Before beginning assembly of this product, make sure all parts are present. Compare parts with package contents list and parts diagram. If any part is missing or damaged, do not attempt to assemble or use the product. Contact customer service for replacement parts.

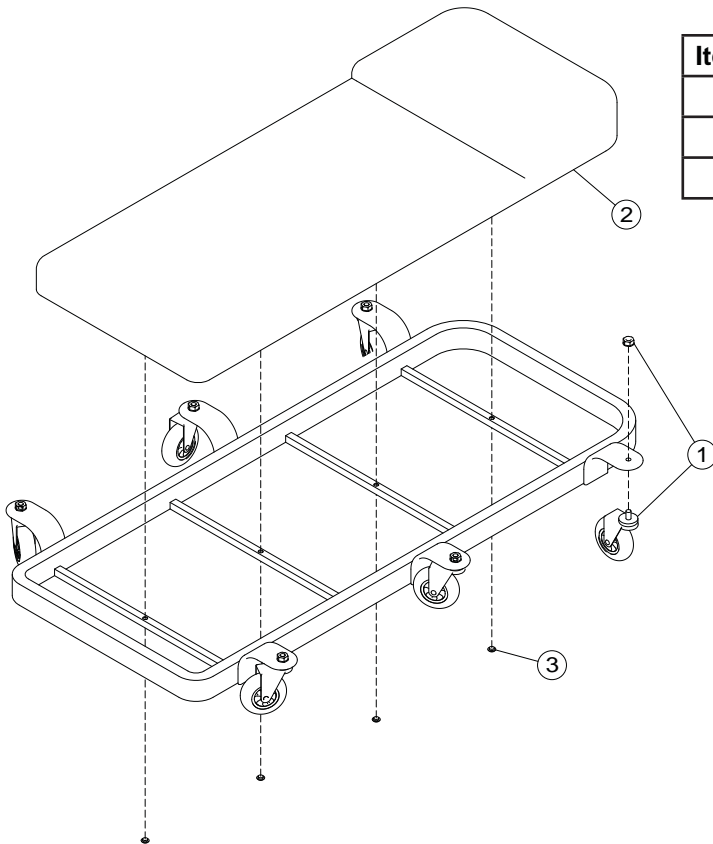
CASTER ASSEMBLY

Insert caster stud through hole in caster bracket on frame. Attach caster nut and repeat for remaining casters. Ensure casters swivel and roll easily.



REPLACEMENT PARTS

Available Parts: Please refer to the Parts drawing when ordering parts. Not all components of the creeper are replacement items, but are illustrated as a convenient reference of location and position in the assembly sequence. When ordering parts, give model number, part number and description. Call your distributor or point of sale for current pricing.



Item	Part No.	Description	Qty
1	91400-1	Poly Caster with fastener	6
2	91400-2ATD	Pad	1
3	91400-3	Pad Screws	4