



**ATD-81060**  
**LARGE BLOW MOLDED CREEPER**  
**MANUAL**



**Dimensions: 45"L x 6"H x 22-1/2"W**  
**Weight Capacity: 400lbs.**

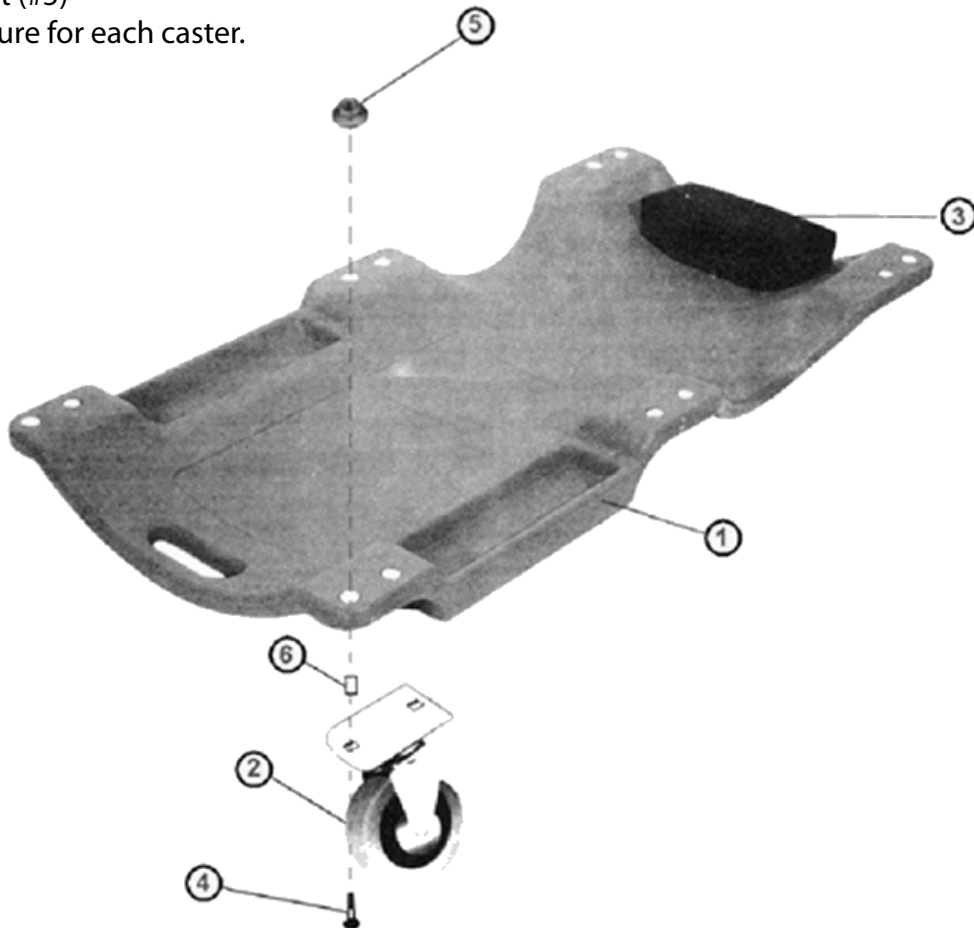
Made in China to ATD Tools, Inc. Specifications



# ATD-81060

## ASSEMBLY INSTRUCTIONS:

- 1) Place 2 bolts (#4) through square holes in caster base as shown.  
Make sure the square shoulder on bolt stays fit in square hole on caster.
- 2) Place caster onto plastic body of creeper (#1).  
Make sure that the bolts go through both holes provided in the creeper body.
- 3) Slide sleeve (#7) onto male portion of bolt (#4) that is sticking up through the body of the creeper.  
Sleeve should recess into body of creeper.
- 4) Secure with nut (#5)
- 5) Repeat procedure for each caster.



ITEM#	ORDERING PART#	PART DESCRIPTION
1	PRT81060-01	MAIN CREEPER BODY
2	ATD81035	CASTER
3	PRT81060-03	HEADREST
4	PRT81060-H	HARDWARE PACKAGE (includes 12 bolts, 12 sleeves and 12 nuts, 12 washers)
5		
6		