

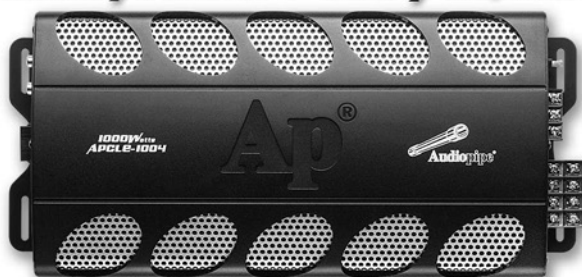
AP[®]

APCLE-1004
1000W

APCLE-1504
1500W

APCLE-2004
2000W

4 Channel Mosfet Power Amplifier



With Remote Bass Knob

Owner's Manual



INTRODUCTION

Congratulations!

Thank you for purchasing Audiopipe Class AB amplifier for your car audio system. Now you own an amplifier of uncompromising design and engineering incorporating the latest advanced circuit technology. You will discover soon that our amplifiers display optimum sound with high quality, reliable performance.

Audiopipe amplifiers are adopted by advanced craftsmanship which using the highest quality components and strict quality control system. In order to provide you the best performance.

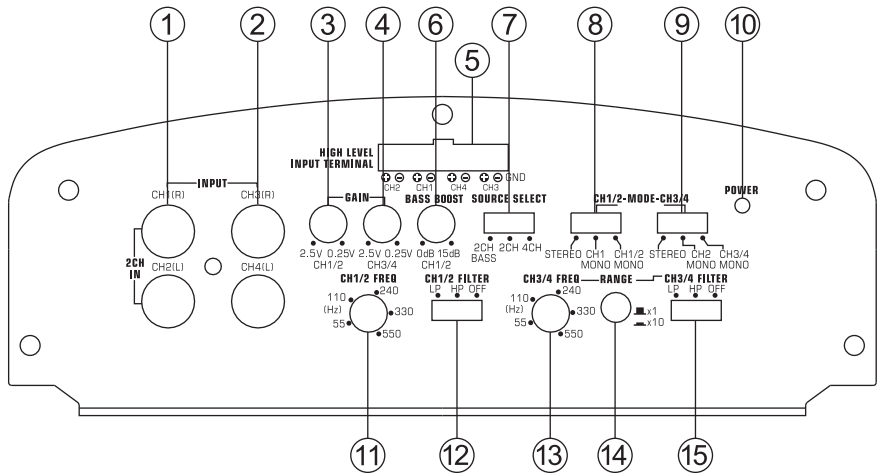
Please read this manual thoroughly to ensure that you can get the maximum benefit from this new amplifier. When you install it properly, this unit will provide you years of trouble-free performance.

ABOUT THE MANUAL

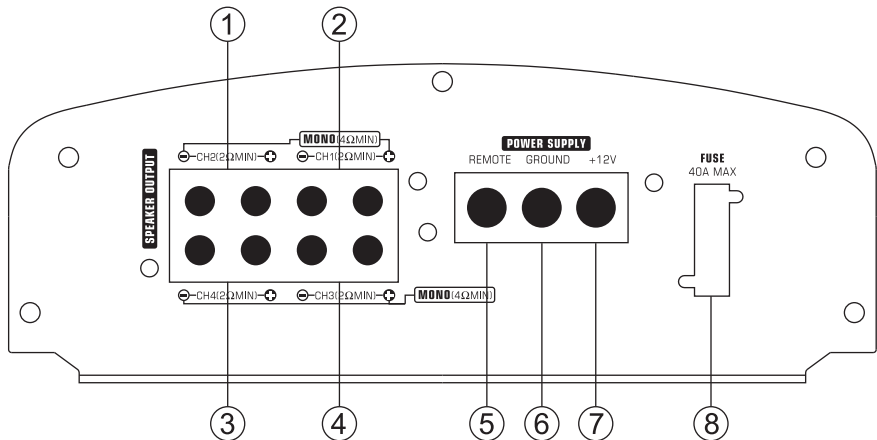
Congratulations on your purchase of the Audiopipe Power Amplifier. We are committed to high-quality music reproduction, and we are confident that you will be pleased with your purchase. These products provide optimum performance, which we are sure you will enjoy for years to come.

INPUT CONNECTIONS AND AUDIO CONTROLS

APCLE-1004

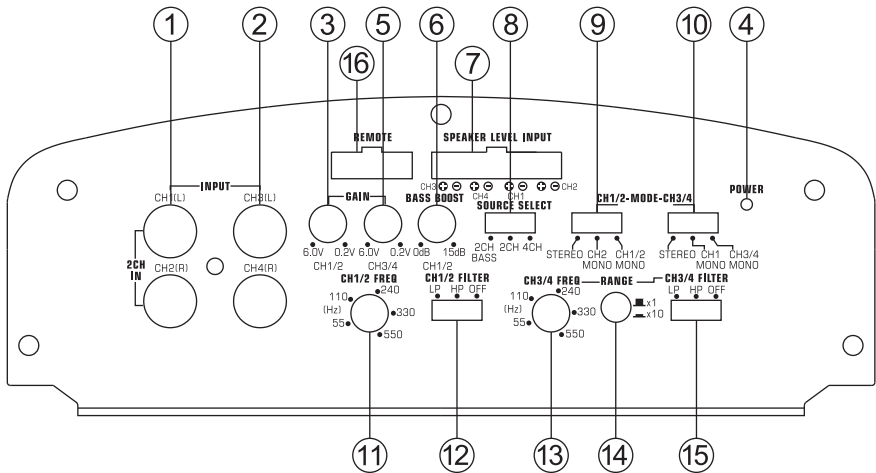


- | | |
|--------------------------------|------------------------------|
| 1. Front RCA Input Jacks | 9. Rear Input Mode Switch |
| 2. Rear RCA Input Jacks | 10. Power |
| 3. Front Gain Control | 11. Front Frequency Control |
| 4. Rear Gain Control | 12. Front X-Over Mode Switch |
| 5. High Level Input | 13. Rear Frequency Control |
| 6. Bass Boost Control | 14. Multiplier Switch |
| 7. Rear Channel Input Selector | 15. Rear X-Over Mode Switch |
| 8. Front Input Mode Switch | |

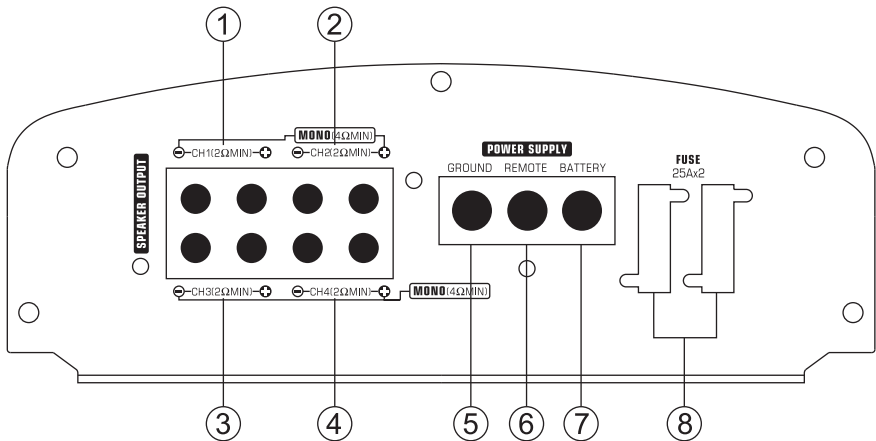


- | | |
|-------------------------------|-------------------------|
| 1. Left Front Speaker Output | 5. Remote Turn-on Input |
| 2. Right Front Speaker Output | 6. Ground Input |
| 3. Left Rear Speaker Output | 7. Battery +12v Input |
| 4. Right Rear Speaker Output | 8. 40Amp Fuse |

APCLE-1504

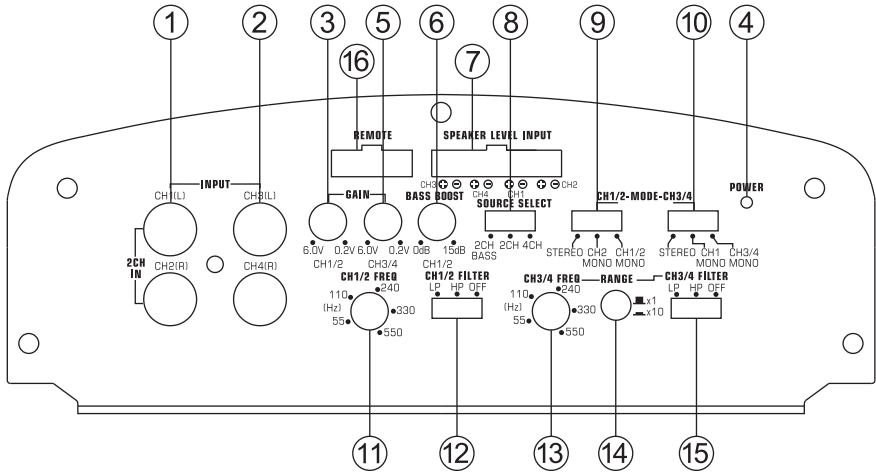


- | | |
|------------------------------|-------------------------------------|
| 1. CH1 / CH2 RCA Level Input | 9. CH1 / CH2 Mode Switch |
| 2. CH3 / CH4 RCA Level Input | 10. CH3 / CH4 Mode Switch |
| 3. CH1 / CH2 Gain Control | 11. CH1 / CH2 Frequency Control |
| 4. Power | 12. CH1 / CH2 Crossover Mode Switch |
| 5. CH3 / CH4 Gain Control | 13. CH3 / CH4 Frequency Control |
| 6. CH1 / CH2 Bass Extender | 14. Frequency Range Multiplier |
| 7. Speaker Level Input | 15. CH3 / CH4 Crossover Mode Switch |
| 8. Source Select | 16. Remote |

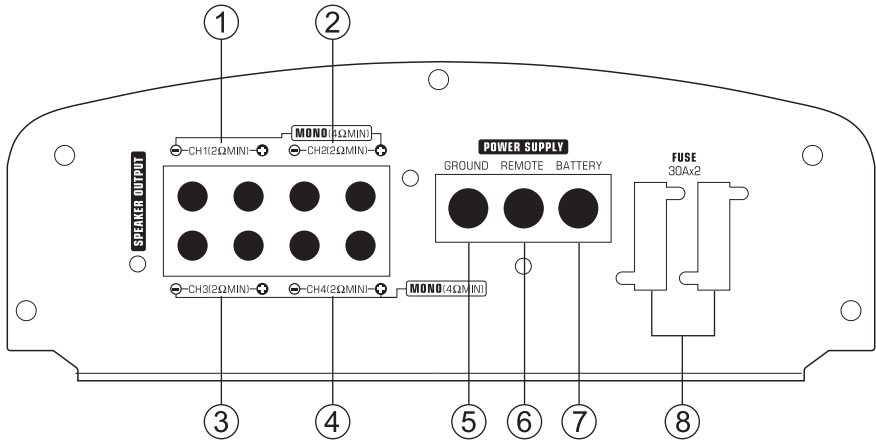


- | | |
|-----------------------|-------------------------|
| 1. CH1 Speaker Output | 5. Ground Input |
| 2. CH2 Speaker Output | 6. Remote Turn-on Input |
| 3. CH3 Speaker Output | 7. Battery +12V Input |
| 4. CH4 Speaker Output | 8. (2)25Amp Fuses |

APCLE-2004



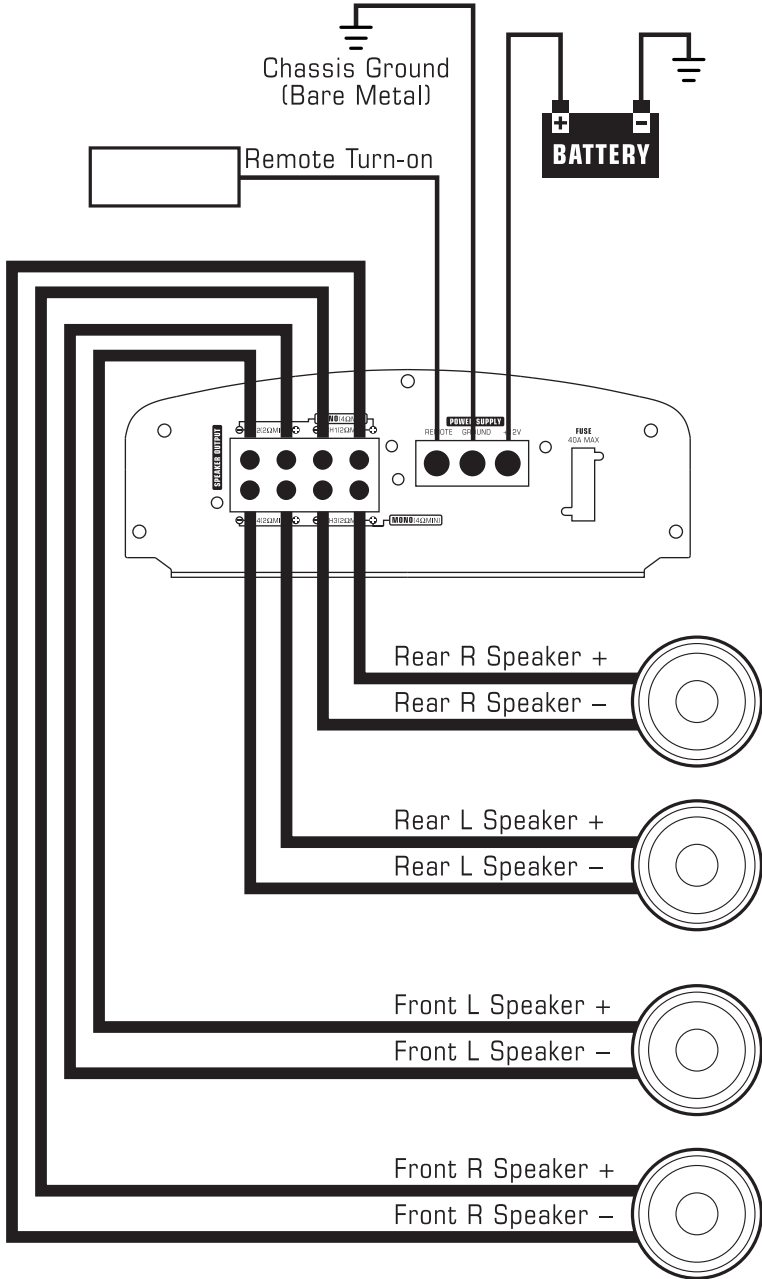
- | | |
|------------------------------|-------------------------------------|
| 1. CH1 / CH2 RCA Level Input | 9. CH1 / CH2 Mode Switch |
| 2. CH3 / CH4 RCA Level Input | 10. CH3 / CH4 Mode Switch |
| 3. CH1 / CH2 Gain Control | 11. CH1 / CH2 Frequency Control |
| 4. Power | 12. CH1 / CH2 Crossover Mode Switch |
| 5. CH3 / CH4 Gain Control | 13. CH3 / CH4 Frequency Control |
| 6. CH1 / CH2 Bass Extender | 14. Frequency Range Multiplier |
| 7. Speaker Level Input | 15. CH3 / CH4 Crossover Mode Switch |
| 8. Source Select | 16. Remote |



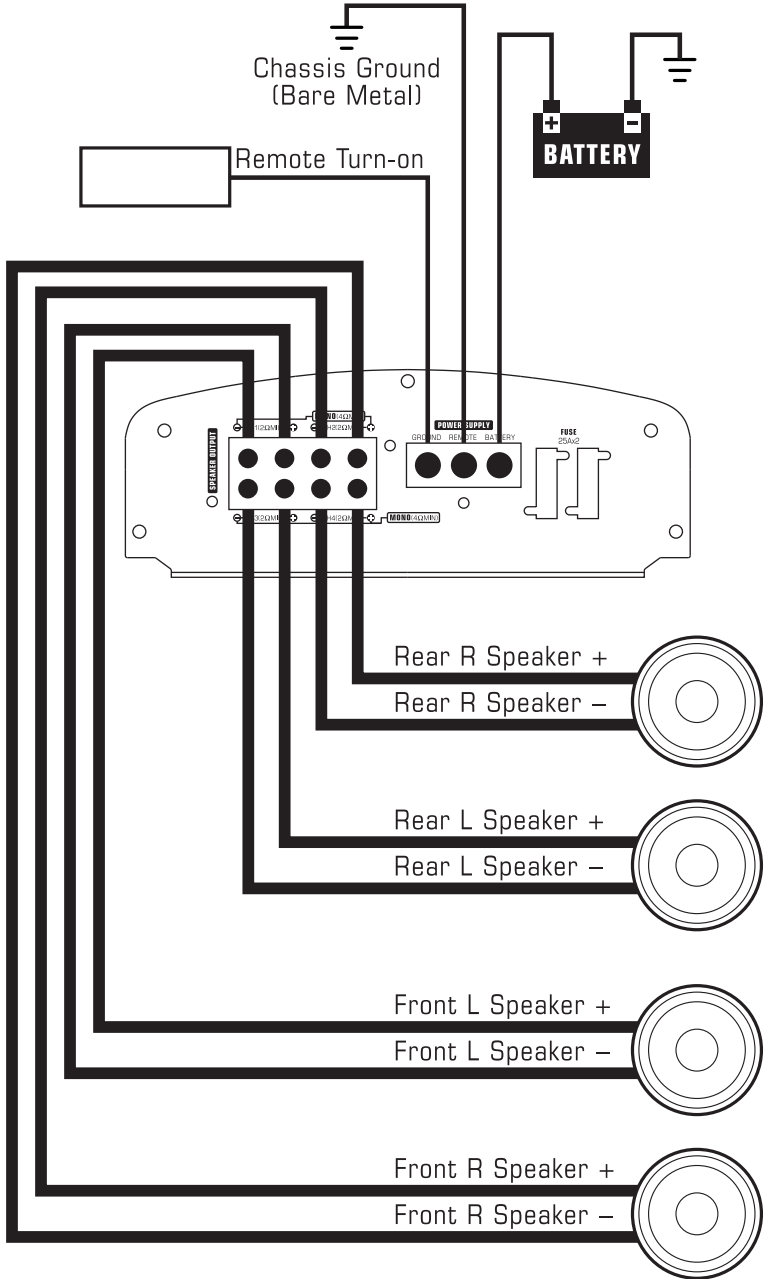
- | | |
|-----------------------|-------------------------|
| 1. CH1 Speaker Output | 5. Ground Input |
| 2. CH2 Speaker Output | 6. Remote Turn-on Input |
| 3. CH3 Speaker Output | 7. Battery +12V Input |
| 4. CH4 Speaker Output | 8. (2)30Amp Fuses |

CONNECTIONS FOR POWER AND SPEAKERS

APCLE-1004



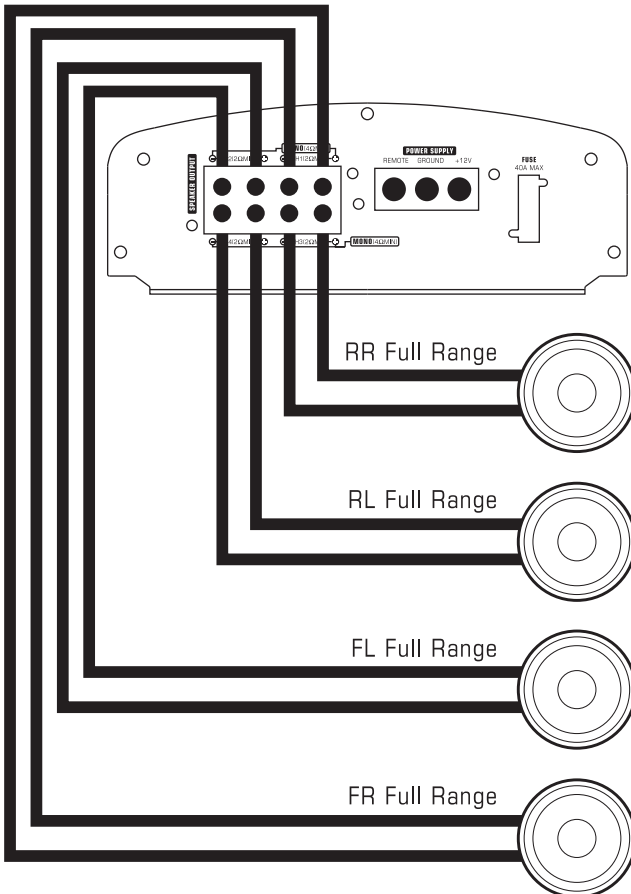
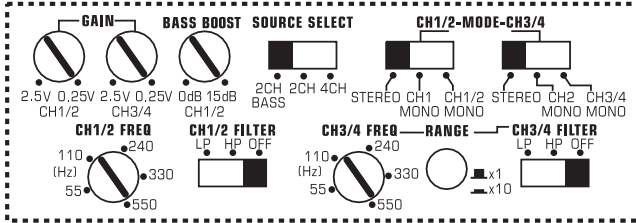
APCLE-1504 / APCLE-2004



WIRING AND APPLICATIONS

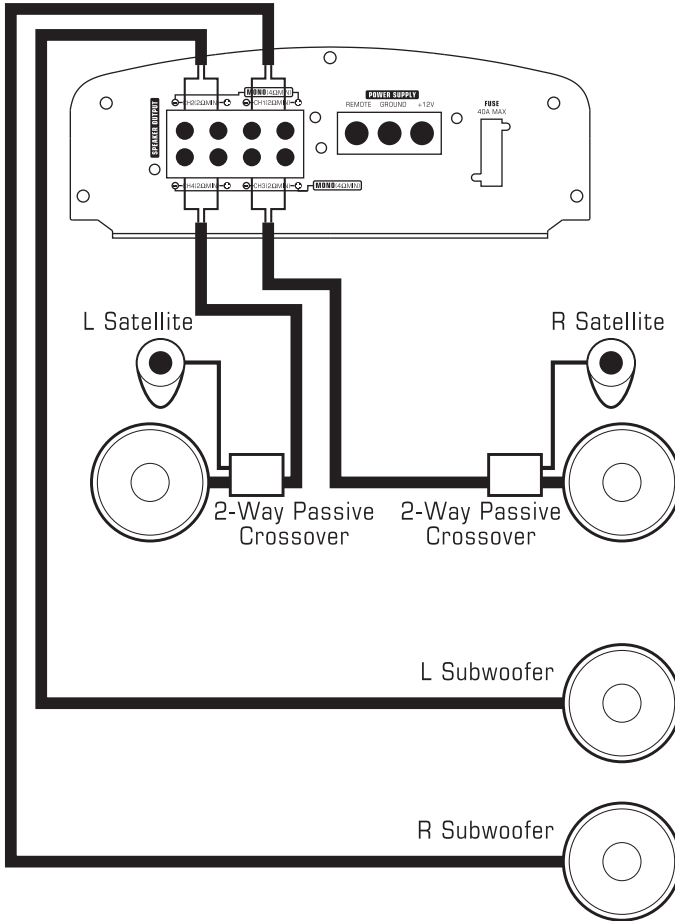
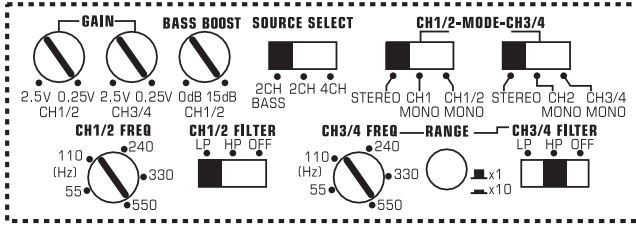
The Audiopipe APCLE-1004 4-channel amplifier can be used in a variety of system applications. Here are some examples to help plan your own installation.

4-Channel Full-Range Stereo System APCLE-1004



In this application, the APCLE-1004 is used as a 4-channel amplifier to drive four full-range speakers in stereo.

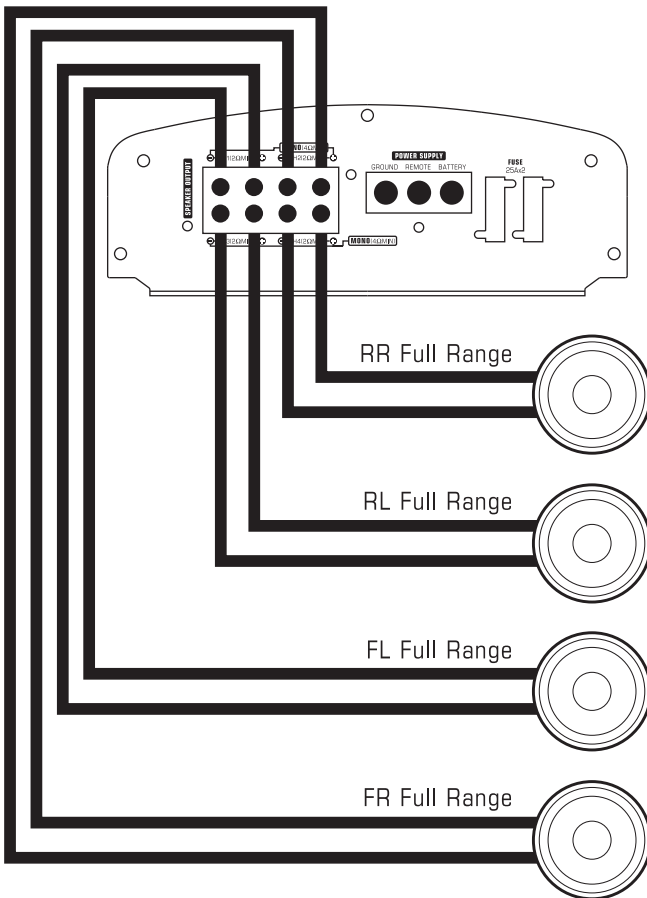
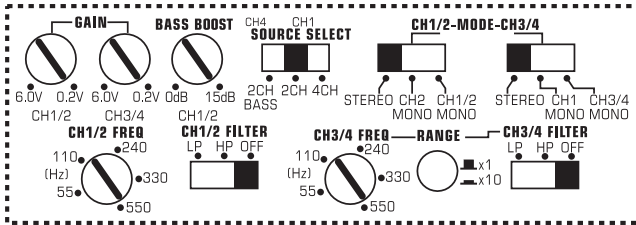
4-Channel Stereo System 2-Channel High-Pass, 2-Channel Low-Pass APCLE-1004



In this 4-channel system, the APCLE-1004 drives a pair of stereo satellites for the front and a pair of subwoofers for the rear. Note the filter settings.

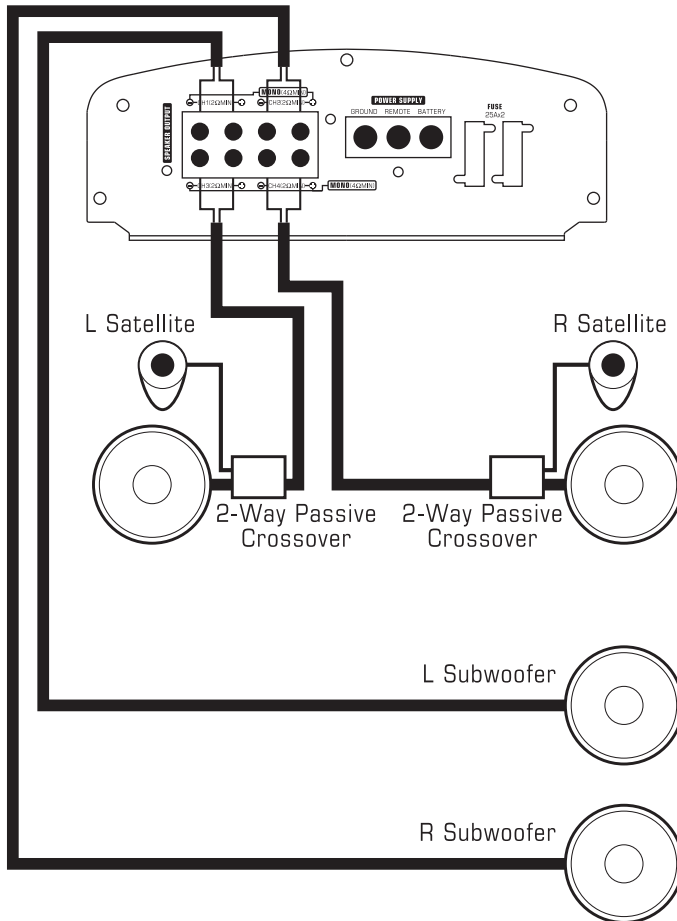
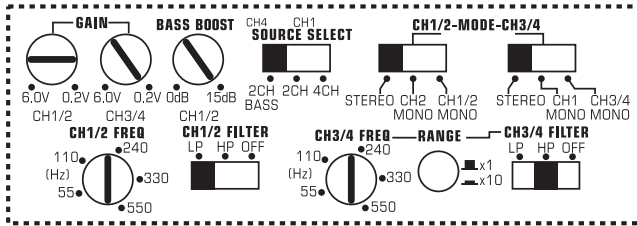
The Audiopipe APCLE-1504/APCLE-2004 4-channel amplifier is used in a variety of system applications. Here are some examples to help plan your own installation.

4-Channel Full-Range Stereo System APCLE-1504 / APCLE-2004



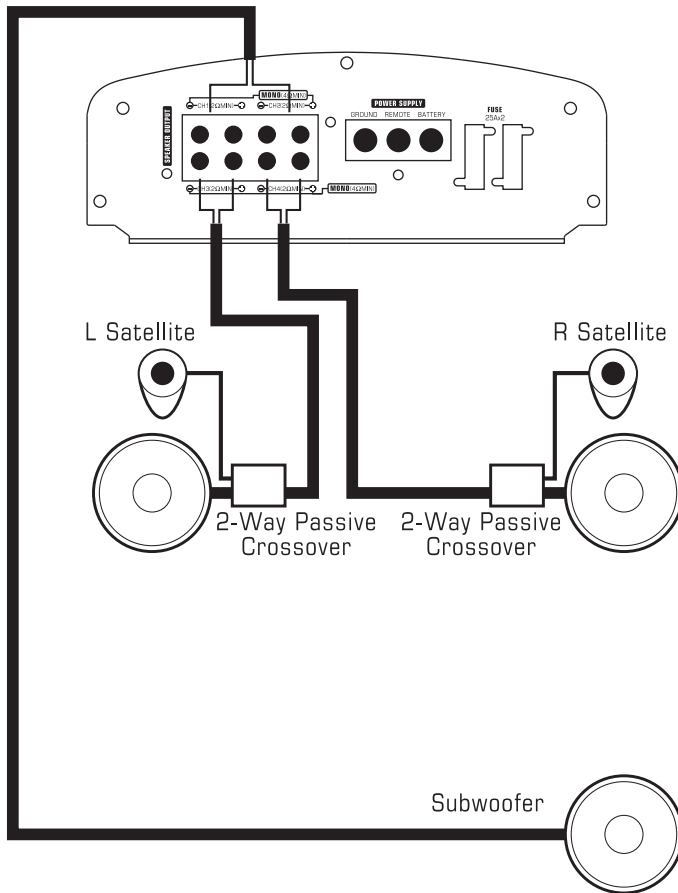
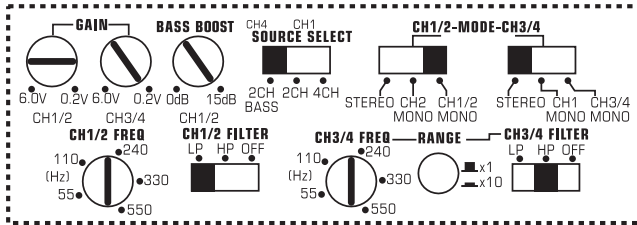
In this application, the APCLE-1504/APCLE-2004 is used as a 4-channel amplifier to drive four full-range speakers in stereo.

4-Channel Stereo System 2-Channel High-Pass, 2-Channel Low-Pass APCLE-1504 / APCLE-2004



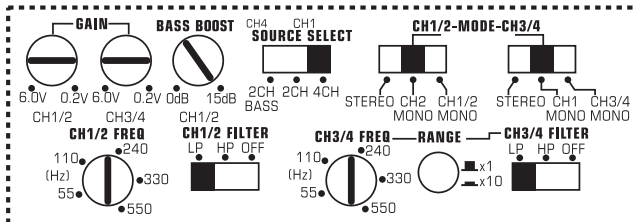
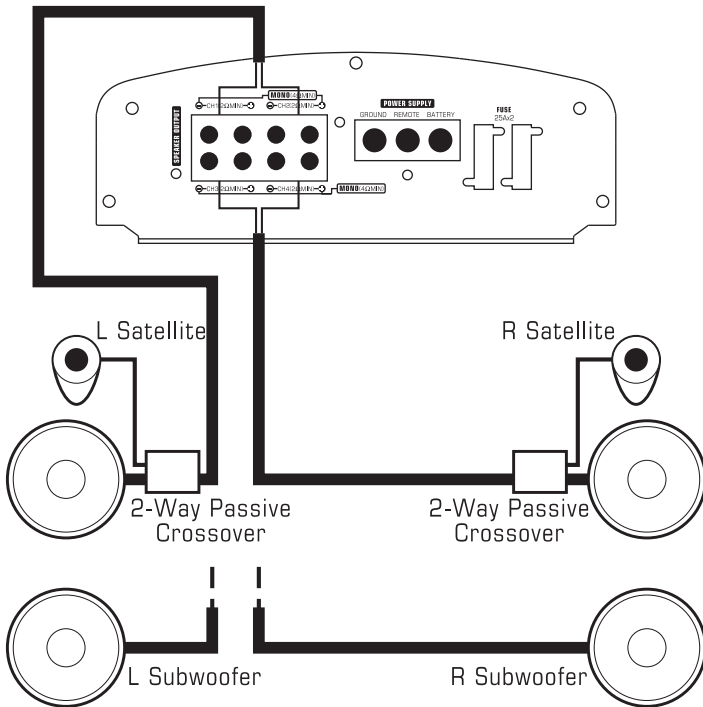
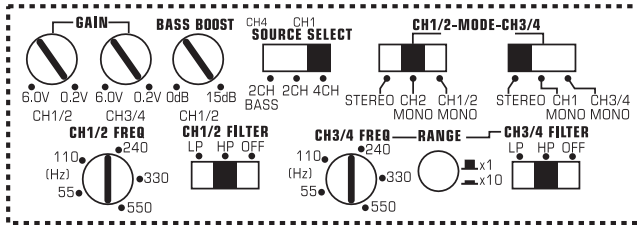
In this 4-channel system, the APCLE-1504/APCLE-2004 drives a pair of stereo satellites for the front and a pair of subwoofers for the rear. Note the filter settings.

2-Channel Stereo System with Low-Pass Bridged Mono Channel APCLE-1504 / APCLE-2004



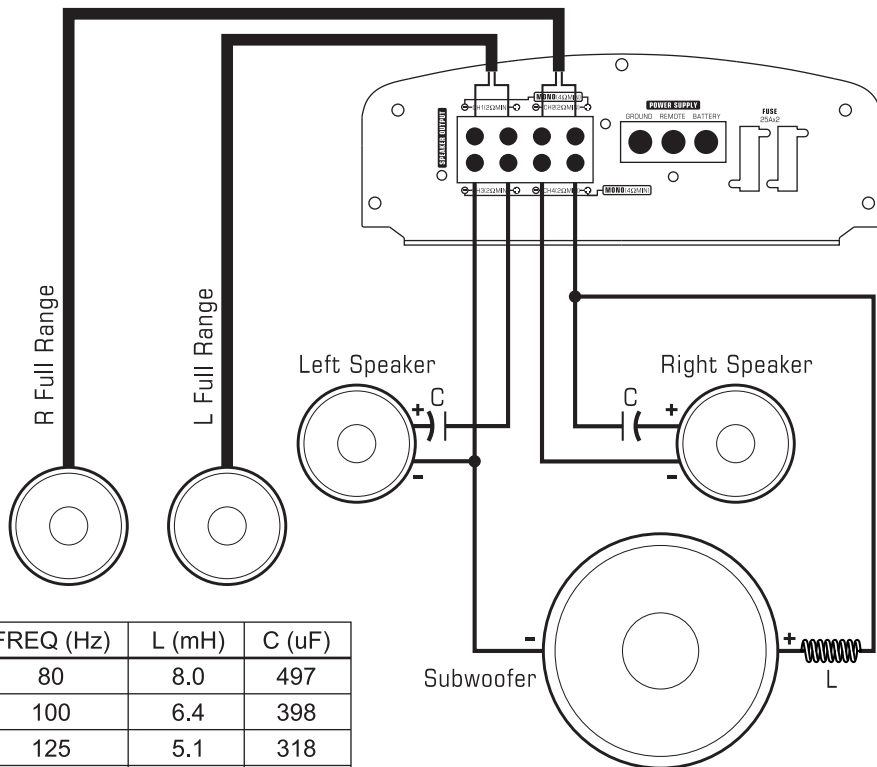
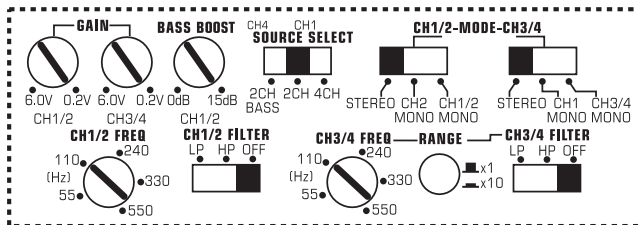
The APCLE-1504/APCLE-2004 can also be used to drive a pair of stereo satellites for the front and a single mono subwoofer for the rear. Note the filter settings.

2-Channel High Power System (Satellite or Subwoofer) APCLE-1504 / APCLE-2004



The APCLE-1504/APCLE-2004 can be set up as a 2-channel high-power amplifier to drive a pair of satellites (or subwoofers).

Mixed-Mode System On Rear; Full-Range Speakers On Front APCLE-1504 / APCLE-2004



FREQ (Hz)	L (mH)	C (uF)
80	8.0	497
100	6.4	398
125	5.1	318
150	4.2	265
200	3.2	199

NOTE: Chart values based on 4 Ohm speakers.

The amplifier can be configured for a mixed-mode operation on either channels 1/2 or 3/4 amplifier sections. The table provides component values to create a 6dB per octave crossover at specified frequencies. Use components that have a +5% tolerance and capacitors rated at 100V.

NOTE: Choose the same frequency for both LP and HP crossovers. Do not overlap frequencies, as this may damage the amplifier.

TROUBLESHOOTING

Problem

No Audio.

Solution

- *Low or no remote turn-on voltage. Check remote connections at amplifier and source unit.*
- *Blown amplifier fuse. Replace with new fast-blow fuse (same rating).*
- *Power wires not connected. Check battery and ground wiring at amplifier; also check battery connections.*
- *Speaker leads shorted. Check speaker continuity to ground, it should not show a common ground.*
- *Speakers not connected or are blown. Check speaker connections at amplifier, measure coil impedance.*

Problem

Audio cycles on and off.

Solution

- *Thermal protection circuits are shutting amplifier off. Check location for adequate ventilation; consult an authorized Audiopipe Dealer.*

Problem

Distorted audio.

Solution

- *Gain is not set properly, or damaged speaker cones. Review Setting Gain; inspect each speaker cone for signs of damage. (i.e. frozen cone, burning smell, etc.)*

Problem

Amplifier fuse keeps blowing.

Solution

- *Incorrect wiring or short circuit. Review Installation and check all wiring connections.*

Problem

Whining or ticking noise in the audio with engine on.

Solution

- *Amplifier is picking up alternator noise or radiated noise. Turn down input gain; move audio cables away from power wires. Check power and ground connections on amplifier; install an in-line noise filter on source unit's power wire; check alternator and/or voltage regulator; test for weak battery or add water to battery.*

PRODUCT SPECIFICATIONS

APCLE-1004

Frequency Response	20Hz ~ 20kHz
Signal Noise Ratio	>95dB
THD05% all channels driven
Input Sensitivity Low Level	250mV ~ 2.5V
Input Sensitivity Speaker Level	500mV ~ 5V
Maximum Power Output	1000W
Continuous Power Output	Stereo 4 Ch-50W x 4 @ 4 Ohm Stereo 4 Ch-100W x 2 @ 2 Ohm Bridge 2 Ch-150W x 2 @ 4 Ohm
Dimensions	(H)55 x (W)176 x (L)333 mm

APCLE-1504

Frequency Response	20Hz ~ 20kHz
Signal Noise Ratio	>95dB
THD05% all channels driven
Input Sensitivity Low Level	200mV ~ 6V
Input Sensitivity Speaker Level	500mV ~ 12V
Maximum Power Output	1500W
Continuous Power Output	Stereo 4 Ch-75W x 4 @ 4 Ohm Stereo 4 Ch-150W x 4 @ 2 Ohm Bridge 2 Ch-200W x 2 @ 4 Ohm
Dimensions	(H)55 x (W)176 x (L)382 mm

APCLE-2004

Frequency Response	20Hz ~ 20kHz
Signal Noise Ratio	>95dB
THD05% all channels driven
Input Sensitivity Low Level	200mV ~ 6V
Input Sensitivity Speaker Level	500mV ~ 12V
Maximum Power Output	2000W
Continuous Power Output	Stereo 4 Ch-100W x 4 @ 4 Ohm Stereo 4 Ch-150W x 4 @ 2 Ohm Bridge 2 Ch-300W x 2 @ 4 Ohm
Dimensions	(H)55 x (W)176 x (L)384 mm