

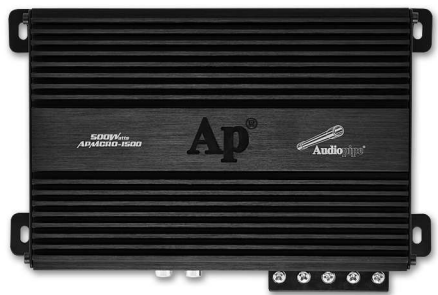


**AP MICRO-1500
500W**

**AP MICRO-1800
800W**



With Remote Bass Knob



Micro Class D Mosfet Amplifier
Owner's Manual



INTRODUCTION

Congratulations!

Thank you for purchasing this Audiopipe amplifier for your car audio system. Now you own an amplifier of uncompromising design and engineering incorporating the latest advanced circuit technology. You will discover soon that our amplifiers display optimum sound with high quality and provide reliable performance.

Audiopipe amplifiers are adopted by advanced craftsmanship which use the highest quality components and strict quality control system. In order to provide you the best performance. We recommend you to contact an authorized Audiopipe Dealer to do the installation.

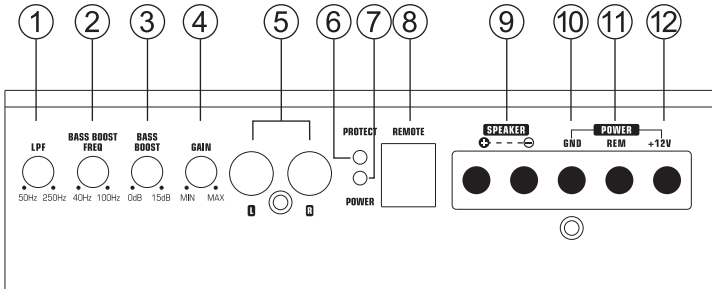
Please read this manual thoroughly to ensure that you can get the maximum benefit from this new amplifier. When you install it properly, this unit will provide you years of trouble-free performance.

- 1 Ohm load stable.
- Double side FR-4 PCB, high quality SMD components.
- Full MOSFET circuit design.
- Adjustable subsonic filter (APMCRO-1800 only).
- Adjustable low pass filter .
- Adjustable bass boost level.
- Adjustable phase control (APMCRO-1800 only).
- Adjustable gain control.
- Overload, short circuit, thermal, low voltage protection.
- Remote bass level control (with remote bass knob).

TABLE OF CONTENTS

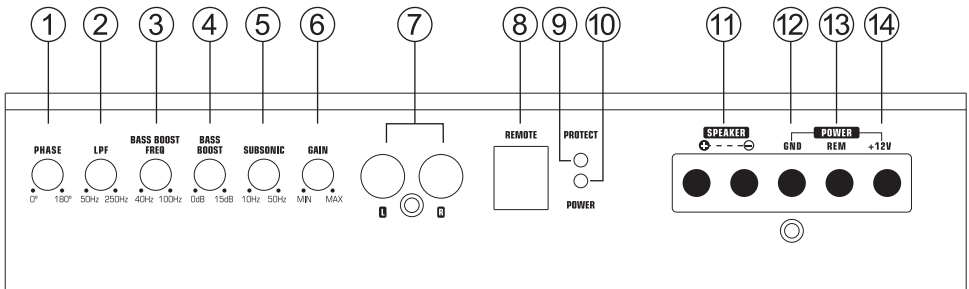
Amplifier Functions	1
Wiring and Applications	2
Troubleshooting	4
Product Specifications	5

APMCRO-1500



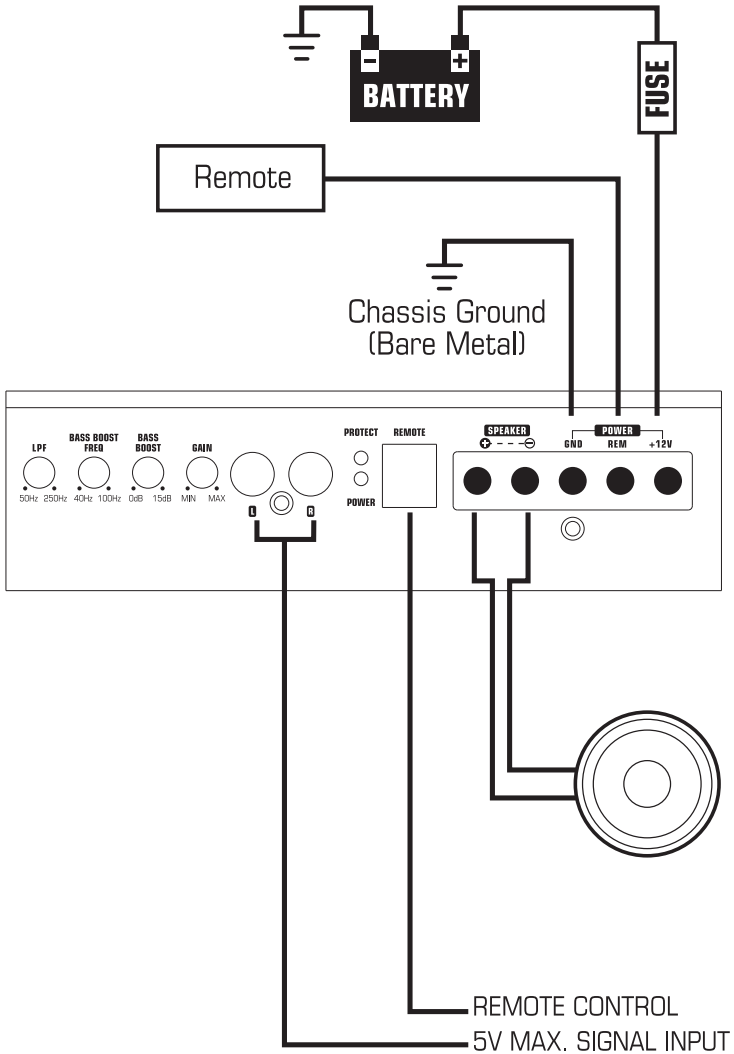
- | | |
|---------------------------------|------------------------------|
| 1. Low Pass Filter Control | 7. Power LED |
| 2. Bass Boost Frequency Control | 8. Remote Bass Level Control |
| 3. Bass Boost Level Control | 9. Speaker Connection |
| 4. Gain Control | 10. Ground Input |
| 5. RCA Input Jacks | 11. Remote Turn-On Input |
| 6. Protect LED | 12. Battery +12V Input |

APMCRO-1800

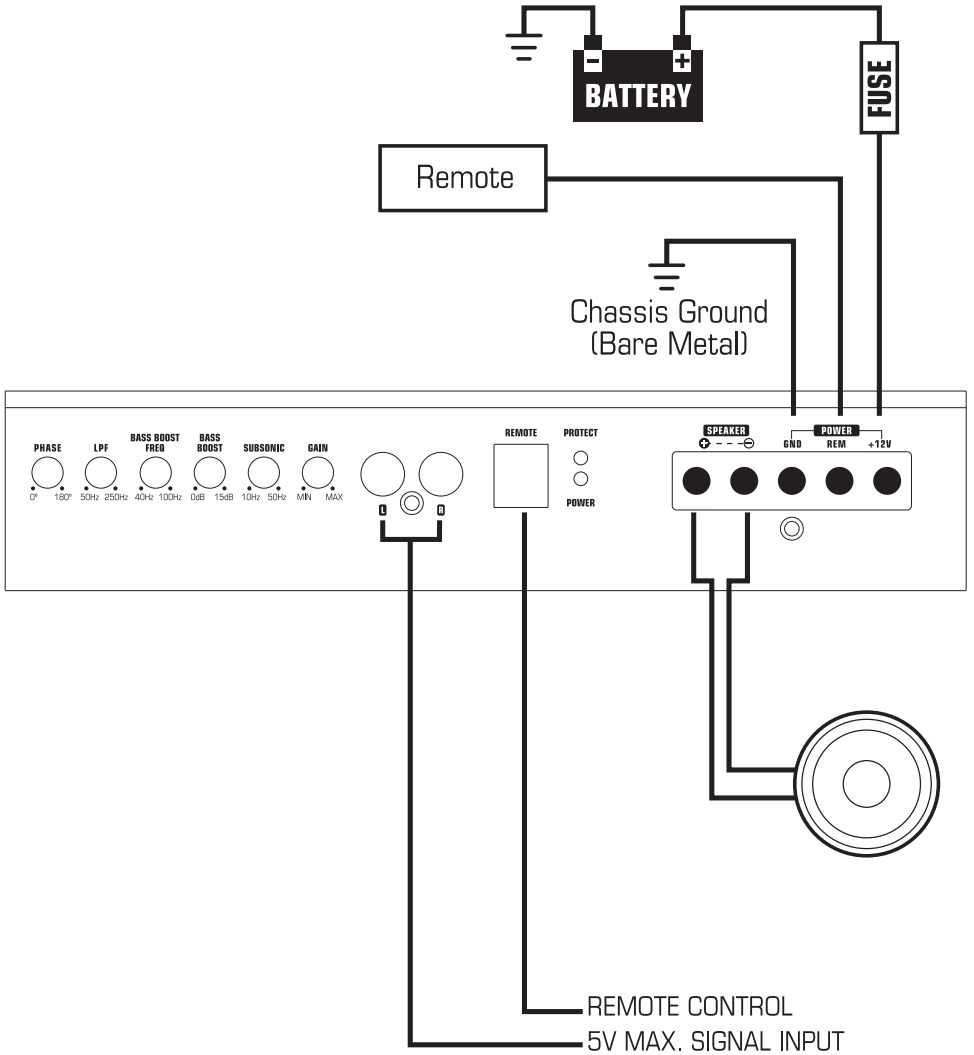


- | | |
|---------------------------------|------------------------------|
| 1. Phase Control | 8. Remote Bass Level Control |
| 2. Low Pass Filter Control | 9. Protect LED |
| 3. Bass Boost Frequency Control | 10. Power LED |
| 4. Bass Boost Level Control | 11. Speaker Connection |
| 5. Subsonic Filter | 12. Ground Input |
| 6. Gain Control | 13. Remote Turn-On Input |
| 7. RCA Input Jacks | 14. Battery +12V Input |

**APMCRO-1500
One Speaker Mono**



APMCRO-1800 One Speaker Mono



TROUBLESHOOTING

Problem

Run indicator doesn't light up.

Solution

- *Check all fuses on the amplifier.*
- *Check main fuse near battery.*
- *Check plus and minus battery cables.*
- *Check remote voltage.*

Problem

Run indicator is on but there is no sound.

Solution

- *Check volume control on the radio.*
- *Check GAIN regulator on the amplifier.*
- *Check RCA cables and connections.*
- *Check speaker cables and connections.*

Problem

Bass response is low.

Solution

- *Check volume control on the radio.*
- *Check GAIN regulator on the amplifier.*
- *Check RCA cables and connections.*
- *Check speaker cables and connections.*

Problem

The amplifier switches on and off.

Solution

- *Check chassis ground connection with amplifier cable and check battery terminal connections and check remote turn-on voltage.*

For additional questions please contact your authorized Audiopipe dealer.

PRODUCT SPECIFICATIONS

APMCRO-1500

Maximum Power Output.....	500W
RMS @ 4 Ohm (<1% DISTORTION).....	189W
RMS @ 2 Ohm (<2% DISTORTION).....	364W
RMS @ 1 Ohm (<1% DISTORTION).....	500W
Input Level.....	0.2V~16V
Frequency Response.....	10~250Hz
LPF.....	50~250Hz
Bass Boost Frequency.....	40~100Hz
Bass Boost Level.....	0~15dB
THD.....	<0.5%
Best Efficiency.....	>85%
Signal to Noise Ratio.....	>80dB
Overload Protect System.....	YES
Short Circuit Test (Max. Power).....	PASS
Current Draw.....	52A
Overheat Protect Temperature.....	80°C/176°F
Components & PCB.....	SMT & Double Side Board
Dimension(WxHxD).....	121.5x48x172mm

APMCRO-1800

Maximum Power Output.....	800W
RMS @ 4 Ohm (<1% DISTORTION).....	289W
RMS @ 2 Ohm (<2% DISTORTION).....	496W
RMS @ 1 Ohm (<1% DISTORTION).....	800W
Input Level.....	0.2V~16V
Frequency Response.....	10~250Hz
LPF.....	50~250Hz
Subsonic Filter.....	10~50Hz
Bass Boost Frequency.....	40~100Hz
Bass Boost Level.....	0~15dB
THD.....	<0.5%
Best Efficiency.....	>85%
Signal to Noise Ratio.....	>80dB
Overload Protect System.....	YES
Short Circuit Test (Max. Power).....	PASS
Current Draw.....	69A
Overheat Protect Temperature.....	80°C/176°F
Components & PCB.....	SMT & Double Side Board
Dimension(WxHxD).....	121.5x48x231mm